

GLOBAL

FOZ – 512 / 513 / 514

FEED OF THE ARM ZIGZAG MACHINE

FOZ – 522H / 523H / 524H

**WALKING FOOT , FEED OF THE ARM
ZIGZAG MACHINE**

SPARE PARTS LIST

Global International BV

H. Figeeweg 4
2031 BJ Haarlem
tel: 023-5319584
fax: 023-5311022
e-mail: global@imca.net

Global Parts bv

H. Figeeweg 4B
2031 BJ Haarlem
tel: 023-5425312
fax: 023-5423422
e-mail: globalparts@planet.nl



GLOBAL SEWING MACHINE PARTS BOOK

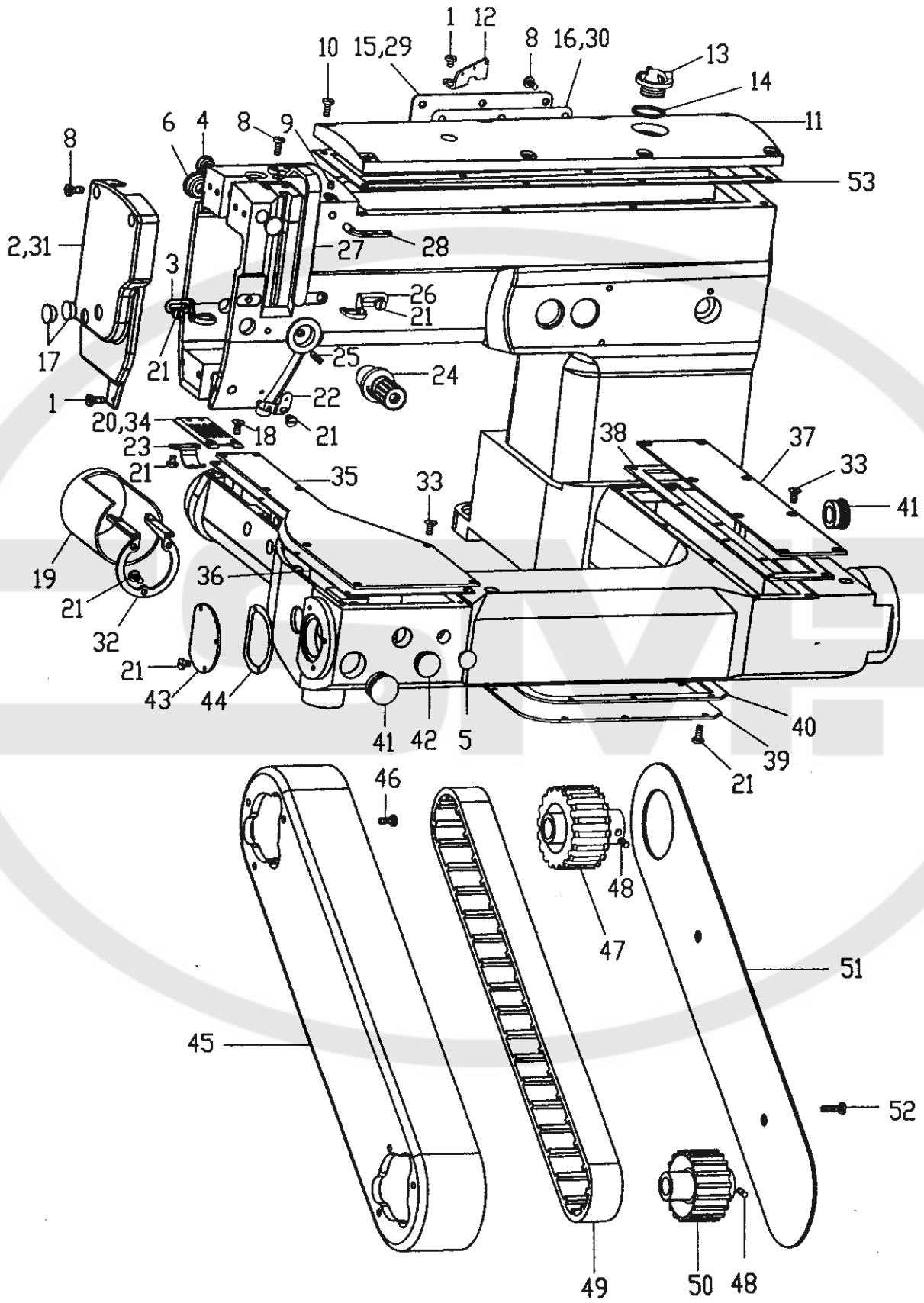
FOZ – 512 / 513 / 514 **FEED OF THE ARM ZIGZAG MACHINE**

FOZ – 522H / 523H / 524H **WALKING FOOT , FEED OF THE ARM** **ZIGZAG MACHINE**

A. FRAME & MISCELLANEOUS COVER COMPONENTS -----	1
B. UPPER SHAFT / NEEDLE BAR ROCKING -----	3
C. LOWER HOOK SHAFT / FEED MECHANISM -----	5
D. PRESSURE ADJUSTING MECHANISM -----	7
E. LUBRICATION -----	7
F. UPPER FEED MECHANISM -----	9
G. POINTED ROCKING (3 & 4 POINT) -----	9

FOZ - 512 = TWO POINT – STANDARD PRESSER FOOT
FOZ – 513 = THREE POINT - STANDARD PRESSER FOOT
FOZ – 514 = FOUR POINT - STANDARD PRESSER FOOT
FOZ – 522 = TWO POINT – WALKING FOOT
FOZ – 523 = THREE POINT - WALKING FOOT
FOZ – 524 = FOUR POINT - WALKING FOOT

A.



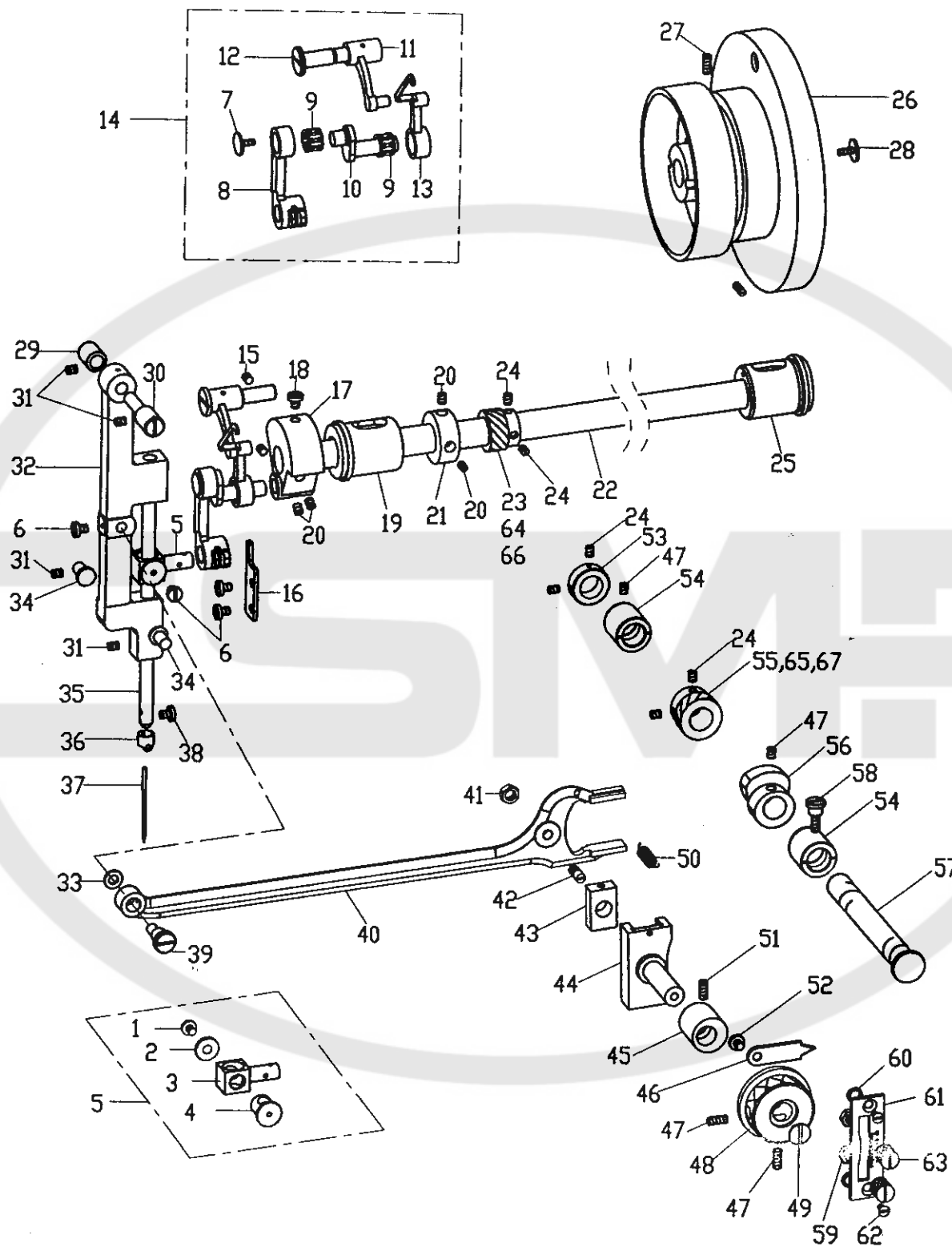
A. FRAME & MISCELLANEOUS COVER COMPONENTS

	NO	PART NO.	DISCRIPTION	QTY		NO	PART NO.	DISCRIPTION	QTY
	01	810-6	SCREW SM11/64-40X5	2		28	810-19	THREAD RETAINER	1
01	02	1530A-2	FACE PLATE	1	02	29	2530A-32	REAR COVER	1
	03	DY2-29	THREAD GUIDE(L)	1	02	30	2530A-33	PACKING	1
	04	P11.8X5	RUBBER CAP 11.8	3	02	31	2530A-31	FACE PLATE	1
	05	P10.8X4	RUBBER CAP 10.8	1		32	1126A-47	NEEDLE PLATE HOLER	1
	06	P15.8X6	RUBBER CAP 15.8	2		33	810-255	SCREW SM9/64-40X6	16
	07	P8.8X5	RUBBER CAP 8.8	2	02	34	2126A-34	NEEDLE PLATE	1
	08	810-109	SCREW SM11/64-40X7	10		35	1126A-35	ARM PLATE L.	1
	09	810-8	SCREW SM11/64-40X6	1		36	1126A-36	PACKING	1
	10	810-109L	SCREW SM11/64-40X9	8		37	1126A-37	ARM PLATE R.	1
	11	1530A-11	TOP COVER	1		38	1126A-38	PACKING	1
	12	3300A-35	THREAD GUIDE (U)	1		39	1126A-39	DOWN PLATE	1
	13	1530A-13	OIL WINDOW	1		40	1126A-40	PACKING	1
	14	ORIN-18	O RING-18	1		41	1126A-41	OIL WINDOW	2
01	15	1530A-15	REAR COVER	1		42	P15X7	RUBBER COVER	2
01	16	1530A-16	PACKING	1		43	1126A-42	BEARING PRESSER	1
	17	P11X4	RUBBER CAP 11	2		44	1126A-43	PACKING	1
	18	810-263	SCREW SM11/64-40X7	2		45	927E-8	BELT COVER	1
	19	1126A-19	ROTARY HOOK COVER	1		46	1126A-46	SCREW M5X0.8-15	6
01	20	1126A-20	NEEDLE PLATE	1		47	927E-3	TIMING BELT WHEEL (U)	1
	21	810-21	SCREW SM9/64-40X7	19		48	42K-5-1	SCREW SM1/4-40X6	4
	22	810-28	THREAD GUIDE (D)	1		49	927E-7	TIMING BELT	1
	23	1126A-23	INNER BOBBIN STOPPER	1		50	927E-5	TIMING BELT WHEEL (L)	1
	24	DY2-901	THREAD TENSION ASSY	1		51	927E-10	BELT COVER PLATE	1
	25	810-27	SCREW SM15/64-28X7	1		52	45D-2	SCREW SM3/16-32X9L	2
	26	DY2-5	THREAD GUIDE R:ARM	1		53	1530A-53	PACKING	1
	27	1530A-27	THREAD TAKE-UP LEVER COVER	1					

NOTE:01 FOR FOZ – 510 SERIES

02 FOR FOZ – 520 SERIES

B.



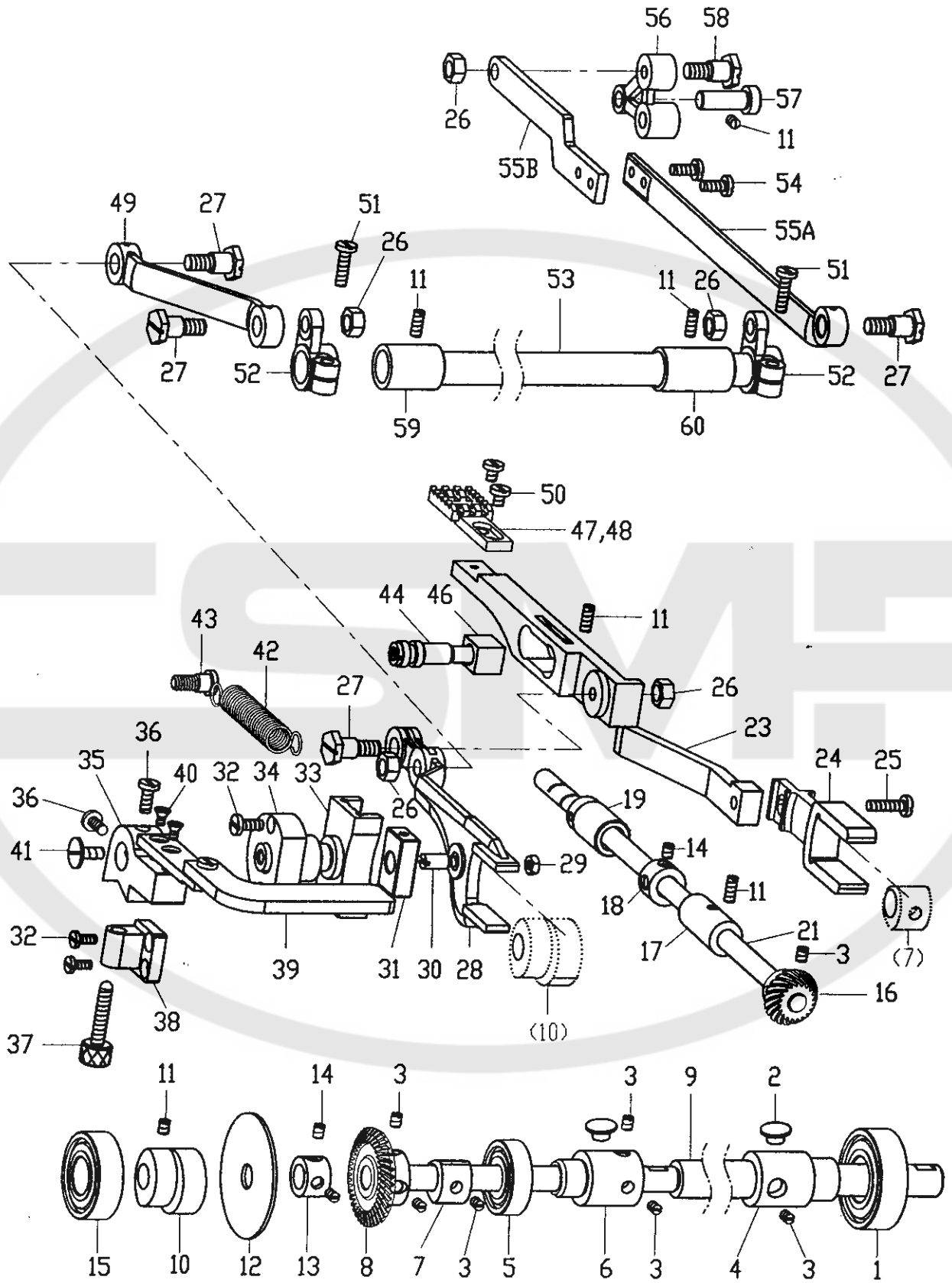
B. UPPER SHAFT DRIVING & BALANCE, NEEDLE BAR ROCKING COMPONENTS

NO	PART NO.	DISCRIPTION	QTY	NO	PART NO.	DISCRIPTION	QTY
01	1530B-1	SCREW SM11/64-40X3.5	1	35	1530C-8	NEEDLE BAR	1
02	1530B-2	WHASHER	1	36	91C-38	THREAD GUARD	1
03	1530B-3	NEEDLE BAR CONNECTION	1	37	DPX5	NEEDLE	1
04	1530B-4	NEEDLE BAR HOLDER	1	38	810-88	SCREW SM1/8-44X4.5	1
05	1530B-5	NEEDLE BAR CLAMP	(1)	39	1530C-12	ECCENTRIC PIN	1
06	810-6	SCREW SM11/64-40X6	4	40	1530C-13	NEEDLE BAR ROCKING PITMAN	1
07	1530B-7	SCREW	1	41	810-142	NUT SM9/32-28X4	1
08	1530B-8	NEEDLE BAR CRANK	1	42	1530C-15	STUD	1
09	081208	NEEDLE BEARING	2	43	1530C-16	SLIDE BLOCK	1
10	1530B-10	THREAD TAKE-UP CRANK	1	44	1530C-17	SLIDE BLOCK SLIDER	1
11	1530B-11	THREAD TAKE-UP ROD	1	45	DY8-155	SLIDE BLOCK SLIDER BUSH	1
12	1530B-12	TAKE-UP LEVER PIN	1	46	1530C-19	PLATE	1
13	1530B-13	THREAD TAKE-UP LEVER	1	47	810-27	SCREW SM15/64-28X7	4
14	1530B-14	THREAD TAKE-UP LEVER ASSEMBLY	(1)	48	1530C-21	WHEEL	1
15	810-91	SCREW SM15/64-28X15	1	49	810-165	SCREW SM3/16-28X7	1
16	1530B-16	NEEDLE CRANK GUIDE	1	50	1530C-23	SPRING	1
17	1530B-17	COUNTER WEIGHT	1	51	810-99	SCREW SM15/64-28X11	1
18	810-105	SCREW SM9/32-28X10	1	52	810-263	SCREW SM11/64-40X7	1
19	810-103	UPPER SHAFT BUSHING(L)	1	53	1530C-26	COLLAR	1
20	810-101	SCREW SM1/4-40X6	3	54	1530C-27	BUSH	2
21	810-102	COLLAR	1	55	1530C-28	GEAR	1
22	1126B-22	UPPER SHAFT	1	56	1530C-29	ECCENTRIC WHEEL	1
23	1530B-23	GEAR (UPPER SHAFT)	1	57	1530C-30	GEAR SHAFT	1
24	341C-60	SCREW SM11/64-40X4	6	58	1530C-32	SCREW SM15/64-28	4
25	810-133	UPPER SHAFT BUSHING(R)	1	59	1530C-33	NUT SM11/64-40X3.5	2
26	33B-69	FLYWHEEL	1	60	DY8-201	WASHER	2
27	42E-20	SCREW SM15/64-28X15	2	61	1530C-35	DIAL PLATE	1
28	810-136	SCREW SM11/32-28X13	1	62	1530C-36	SCREW SM11/64-40X10	2
29	1530C-1	NEEDLE BAR FRAME BUSH	1	63	1530C-37	SCREW SM11/64-40	2
30	1530C-2	NEEDLE BAR FRAME PIN	1	03 64	1533B-23	UPPER SHAFT GEAR	1
31	91J-2	SCREW M4-0.75X4	4	03 65	1533C-28	GEAR	1
32	1530C-4	NEEDLE BAR FRAME	1	04 66	1534B-23	UPPER SHAFT GEAR	1
33	W5X10X1	WASHER W5*10*1	1	04 67	1534C-28	GEAR	1
34	1530C-7	LOWER STOP STUD	2				

NOTE: 01 FOR FOZ - 510 SERIES 03 FOR 3POINT 04 FOR 4POINT

02 FOR FOZ - 520 SERIES -4-

C.



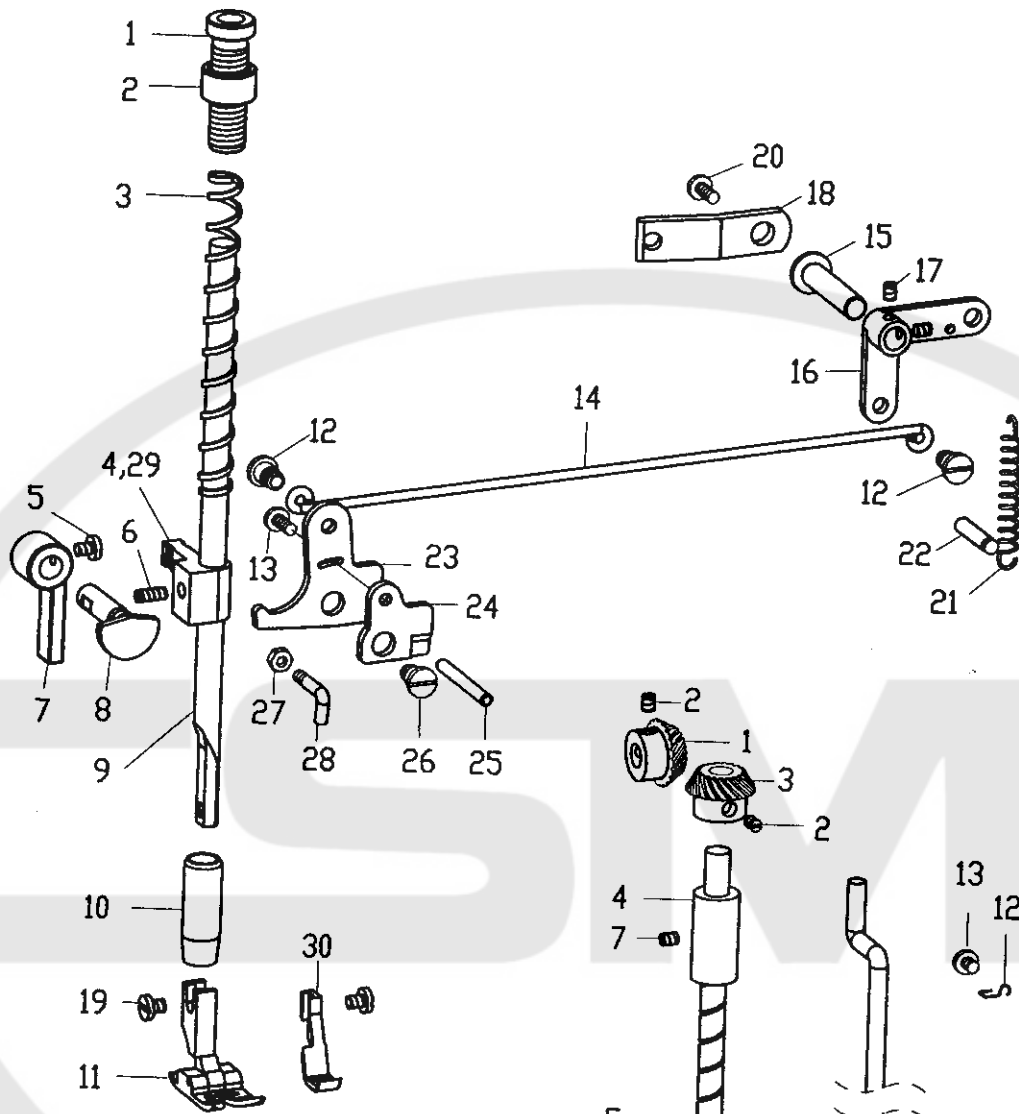
C. LOWER. HOOK SHAFT & FEED MECHANISM COMPONENTS

NO	PART NO.	DISCRIPTION	QTY	NO	PART NO.	DISCRIPTION	QTY
01	6203NR	BALL BEARING R.	1	31	1530C-16	SQUARE SLIDE BLOCK	1
02	P8. 8X5	RUBBER CAP	2	32	810-21L	SCREW SM9/64-40X7	4
03	42K-5-1	SCREW SM1/4-40X6	8	33	1126C-33	SLIDE BLOCK SLIDER	1
04	1126C-4	BALL BEARING BUSH R.	1	34	1126C-34	SLIDE BLOCK SLIDER BUSH	1
05	6202NR	BALL BEARING	1	35	1126C-35	FEED REGULATOR	1
06	1126C-6	BALL BEARING BUSH	1	36	810-168	SCREW SM15/64-28X10	2
07	1508F-31	FEED CAM (U&D)	1	37	1126C-37	FEED REGULATOR STUD	1
08	1126C-8	LOWER SHAFT BEVEL GEAR	1	38	1126C-38	FEED REGULATOR STUD BASE	1
09	1126C-9	LOWER SHAFT	1	39	1126C-39	REVERSE FEED CONTROL LEVER	1
10	1126C-10	LOWER FEED ECCENTRIC WHEEL	1	40	810-263	SCREW SM11/64-40X7	2
11	810-27	SCREW SM15/64-28X7	4	41	810-165	SCREW SM3/16-28X7	1
12	1126C-12	PITMAN WASHER	1	42	1126C-42	SPRING	1
13	1126C-13	COLLAR	1	43	1126C-43	PIN	1
14	810-221	SCREW SM15/64-28X5	4	44	927F-9	FEED BAR ECCENTRIC PIN	1
15	6200ZZ	BALL BEARING	1	45	O-RING	O RING	1
16	1126C-16	HOOK SHAFT GEAR	1	46	927F-5-1	FEED BAR SLIDE BLOCK	1
17	1126C-17	HOOK SHAFT BUSHING	1	01 47	1126C-47	FEED DOG	1
18	810-122	COLLAR (H/S)	1	02 48	2126C-48	FEED DOG	1
19	927K-18	HOOK SHAFT BUSHING	1	02 49	2126C-49	FEED ROD	1
20	KRP-457W	HOOK	1	50	810-292	SCREW SM11/64-40X6.5	2
21	1126C-21	HOOK SHAFT	1	02 51	2126C-51	SCREW M5-0.8X12	2
22	SC70-3FL	BOBBING CASE	1	02 52	2126C-52	FEED ROCKER BASE ARMN	2
23	1126C-23	FEED BAR	1	02 53	2126C-53	FEED ROCK SHAFT	1
24	1126C-24	FEED BAR FORK (U&D)	1	02 54	2126C-54	SCREW M4-0.75X8	2
25	1126A-46	SCREW M5-0.8X15	2	02 55	2126C-55	ROD	1
26	DY8-207A	NUT SM1/4-40X5	1	02 56	1341D-19	TRIANGULAR LEVER	1
27	1341E-20	SCREW SM1/4-40X12	1	02 57	810-159	TRIANGULAR LEVER PIN	1
28	1126C-28	FEED BAR FORK ROD	1	02 58	2126C-58	SCREW SM1/4-40	1
29	810-142	NUT 9/32-28X4	1	02 59	2126C-59	BUSH L.	1
30	1530C-15	STUD	1	02 60	2126C-60	BUSH R.	1

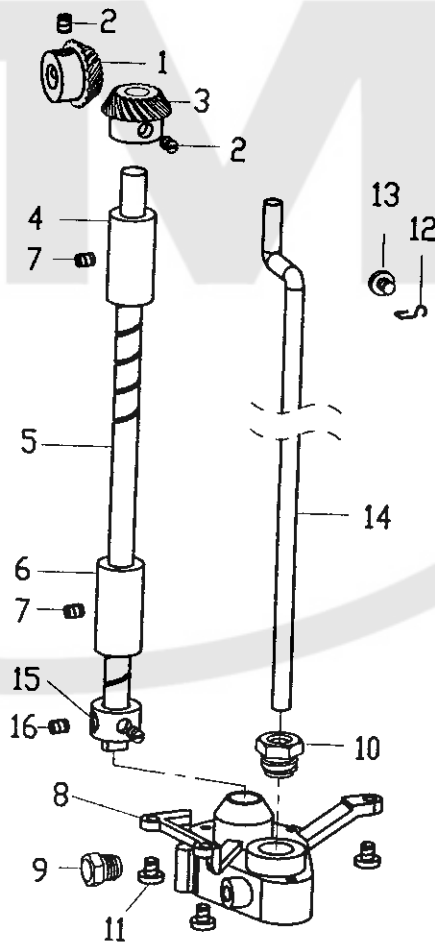
NOTE: 01 FOR FOZ - 510 SERIES

02 FOR FOZ - 520 SERIES

D.



E.



D. PRESSURE ADJUSTING MECHANISM COMPONENTS

	NO	PART NO.	DISCRIPTION	QTY		NO	PART NO.	DISCRIPTION	QTY
	01	810-184	PRESSER ADJUSTING SCREW	1		16	1126D-16	KNEE LIFTER LEVER R.	1
	02	DY10-143	PRESSER ADJUSTING NUT	1		17	810-168	SCREW SM15/64-28X7	2
	03	810-187	PRESSER SPRING	1		18	1126D-18	PLATE	1
01	04	1530F-4	PRESSER BAR BRACKET	1		19	810-21	SCREW SM9/64-40X7	1
	05	810-109	SCREW SM11/64-40X7	1		20	91D-3	SCREW SMM4X0.75	1
	06	810-27	SCREW SM15/64-28X7	5		21	1530F-21	SPRING	1
	07	1530F-7	PRESSER LIFTER LEVER	1		22	1530F-22	SPRING PIN	1
	08	1530F-8	LIFTER CRANK P-BAR	1		23	1530F-23	P-BAR LIFTING LINK	1
	09	DY10-137	PRESSER BAR	1		24	1530F-24	THREAD RELEASE PLATE	1
	10	810-202	BUSH, P-BAR	1		25	DY10-125	THREAD RELEASE PIN	1
01	11	1530F-11	WALKING FOOT	1		26	1530F-26	SCREW SM1/4-40X7.5	1
	12	341F-25	SCREW SM3/16-28X8.5	2		27	91P12-10	NUT SM9/64-40X3	1
	13	810-292	SCREW SM11/64-40X6.5	1		28	1530F-28	THREAD RETAINER	1
	14	1530F-14	CONNECTING STICK	1	02	29	2530F-29	PRESSER BAR BRACKET	1
	15	1126D-15	PIN	1	02	30	2530F-30	WALKING FOOT	1

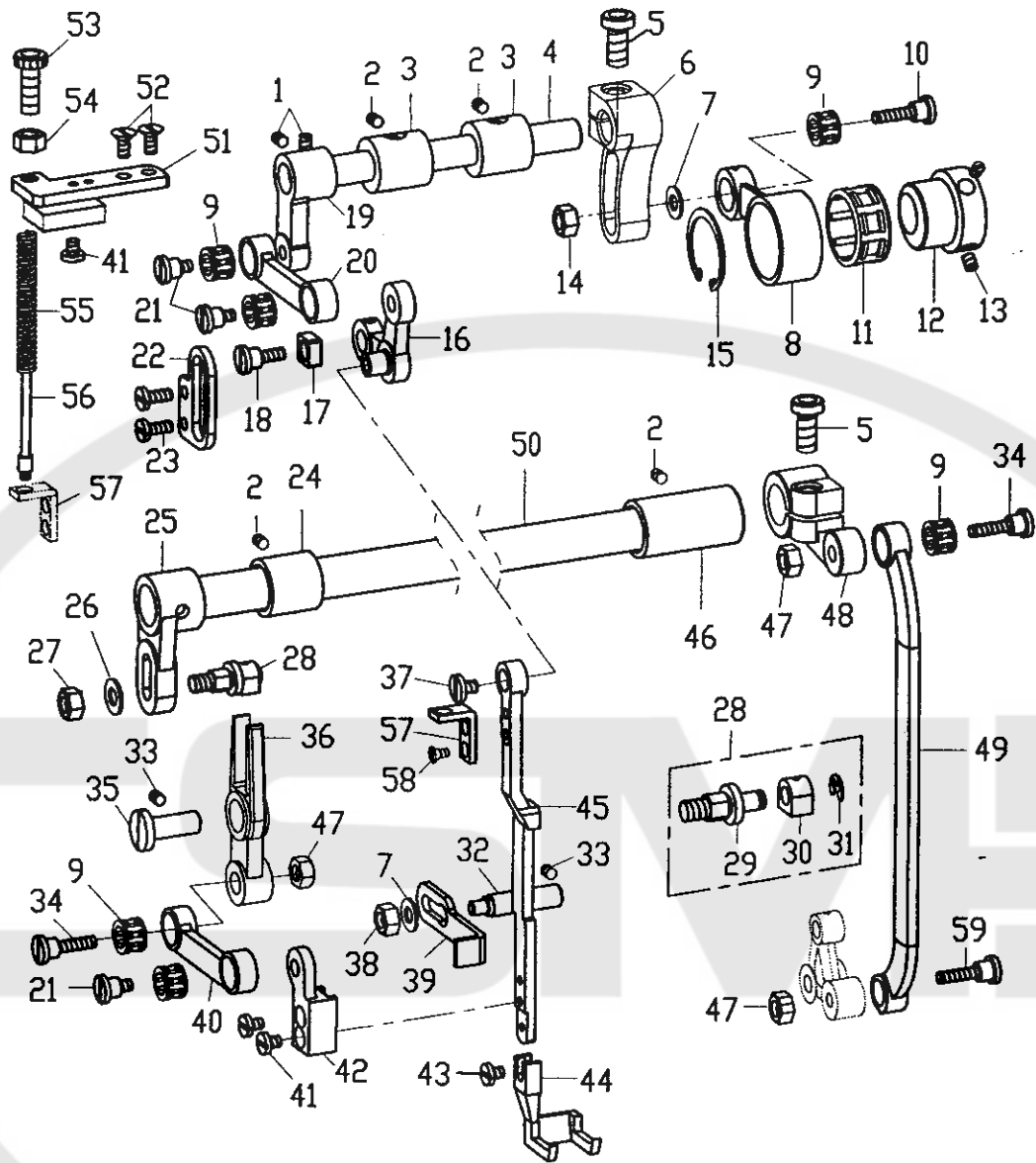
NOTE: 01 FOR FOZ - 510 SERIES

02 FOR FOZ - 520 SERIES

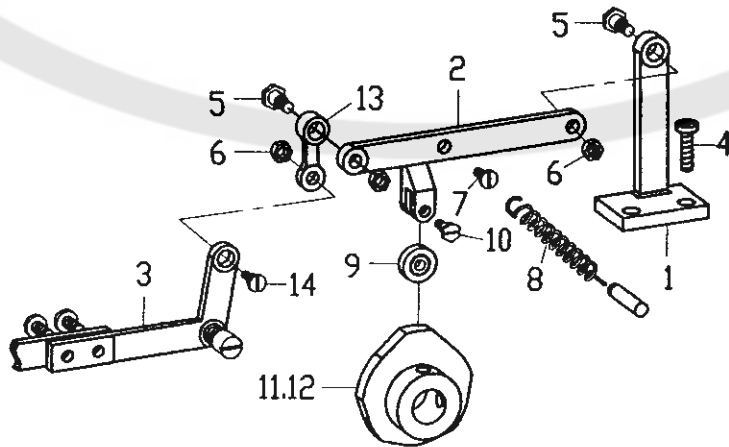
E. OIL SUPPLY COMPONENTS

	NO	PART NO.	DISCRIPTION	QTY		NO	PART NO.	DISCRIPTION	QTY
	01	810-116	UPPER SHAFT GEAR	1		09	1530G-52	SCREW SM11/32-28X5	1
	02	810-101	SCREW SM1/4-40X5	4		10	1530G-53	SCREW SM11/32-28X5	3
	03	810-117	UPRIGHT SHAFT GEAR	1		11	810-68	SCREW SM11/64-40X13	1
	04	810-119	UPRIGHT SHAFT BUSH, U.	1		12	1530G-55	PISTON SPRING PIN	1
	05	1530B-40	UPRIGHT SHAFT	1		13	810-6	SCREW SM11/64-40X6	1
	06	810-120A	UPRIGHT SHAFT BUSH, D.	1		14	1530G-57	OIL SUPPLY PIPE	1
	07	810-99	SCREW SM15/64-28X11	2		15	810-122	UPRIGHT SHAFT COLLAR	1
	08	1530G-51	OIL PUMP ASSY	1		16	810-221	SCREW SM15/64-28X5	2

F. FOR FOZ - 520 SERIES



G.



F. UPPER FEED MECHANISM COMPONENTS

NO	PART NO.	DISCRIPTION	QTY	NO	PART NO.	DISCRIPTION	QTY
01	91G-17	SCREW M5-0.8X6	2	31	E-4	E RING	1
02	810-8	SCREW SM11/64-40X6	4	32	2530G-32	HINGE SHAFT	1
03	DY8-155	FRONT METAL	2	33	810-27	SCREW SM15/64-28X7	2
04	2530G-4	UPPER FEED SHAFT	1	34	2530G-34	SCREW SM1/4-40X16	2
05	810-261S	SCREW M6X20	2	35	DY8-208	PIN	1
06	2530G-6	UPPER FEED REAR ARM	1	36	640E-63	U-FEED LEVEL DRIVING LINK	1
07	W6X12	WASHER	2	37	810-164	SCREW SM3/16-28X7	1
08	2530G-8	UPPER FEED ROD	1	38	42C-15	NUT SM15/64-28X3	1
09	8X12X8	NEEDLE BEARING	6	39	2530G-39	PLATE	1
10	2530G-10	SCREW M6	1	40	2530G-40	U-FEED LEVEL DRIVING ROD	1
11	24X28X13	NEEDLE BEARING	1	41	810-21S	SCREW SM9/64-40X6	3
12	2530G-12	ECCENTRIC CAM	1	42	2530G-42	UPPER FEED LEVEL HOLDER	1
13	810-101	SCREW SM1/4-40X6	2	43	810-21L	SCREW SM9/64-40X8	1
14	DY8-167	NUT M6	1	44	2530G-44	UPPER FEED PRESSER FOOT	1
15	R-24	C RING	1	45	2530G-45	UPPER FEED LEVER	1
16	2530G-16	U-FEED CONNECTING LINK	1	46	640E-46	U-FEED REAR BUSHING R.	1
17	2530G-17	SLIDE BLOCK	1	47	DY8-207A	NUT SM1/4-40X5	3
18	2530G-18	SCREW SM3/16-28X7	1	48	2530G-48	U-FEED DRIVING CRANK R.	1
19	2530G-19	UPPER FEED FRONT ARM	1	49	2530G-49	U-FEED DRIVING ROD	1
20	2530G-20	UPPER FEED LINK	1	50	2530G-50	UPPER FEED DRIVING SHAFT	1
21	2530G-21	SCREW SM1/4-40X6	3	51	2530G-61	ADJUSTING SCREW FRAME	1
22	2530G-22	UPPER FEED GUIDE PLATE	1	52	810-263	SCREW SM11/64-40X7	2
23	810-109	SCREW SM11/64-40X7	2	53	DY8-151	SCREW SM9/32-28	1
24	DY8-193	BUSHING	1	54	810-142	NUT SM9/32-28	1
25	DY8-212	ADJUSTING CRANK	1	55	DY8-170	PRESSER SPRING	1
26	W6.5X13	WASHER	1	56	DY8-171	SPRING BAR	1
27	DY8-210	NUT SM1/4-24X5	1	57	2530G-62	FULCRUM	1
28	DY8-194	SLIDE BLOCK ASSEMBLY	(1)	58	810-255	SCREW SM9/64-40X7	2
29	DY8-194B	STUD	1	59	2126C-62	SCREW SM1/4-40	2
30	DY8-194A	SLIDE BLOCK	1				

G. POINTED ROCKING (03 FOR 3 POINT) (04 FOR 4 POINT)

NO	PART NO.	DISCRIPTION	QTY	NO	PART NO.	DISCRIPTION	QTY
01	1534C-1	ROD HOLDER	1	08	1530D-21	SPRING	1
02	1534C-2	ROD	1	09	624ZZ	BALL BEARING	1
03	1534C-3	NEEDLE BAR ROCKING ROD	1	10	91C-9	SCREW M4-0.75X6	1
04	1534C-4	SCREW M6-1.0X12	2	03 11	1533C-29	CAM (FOR 3 OINT)	1
05	78L2-21-4	SHOULDERSCREW SM3/16-32	2	04 12	1534C-29	CAM (FOR 4 POINT)	1
06	810-194	SCREW SM3/16-32X3	3	13	78L2-21-3	CONNECTING LINK FOR CAM	1
07	810-188-1	SCREW SM3/16-28	1	14	810-267	SCREW SM3/16-32	1

IMCA bv - Holland

Hendrik Figeeweg 4
2031 BJ Haarlem
Phone: (31) 23 531 95 84
Fax: (31) 23 531 10 22
e-mail :info@imca.net

IMCA USA - Georgia

3249 Cleveland highway
Gainesville GA 30506
Phone: (1) 770 535 7538
Fax: (1) 770 532 3896
e-mail: imca2@bellsouth.net

IMCA France

3 Square des Bouleaux
49300 Cholet
France
Phone (33) 2 4158 8148
Fax (33) 2 4171 9822
e-mail: bernard.cleon@free.fr

Global International BV

H. Figeeweg 4
2031 BJ Haarlem
tel: (31) 23-5319584
fax: (31) 23-5311022
e-mail: global@imca.net

Global Parts bv

H. Figeeweg 4B
2031 BJ Haarlem
tel: (31) 23-5425312
fax: (31) 23-5423422
e-mail: globalparts@planet.nl