



**ILLUSTRATED SPARE PARTS LIST
FOR
WALKING FOOT**

WF 1	WF 2
VG2700	VG2713
VC2600	VC2613
VC2700	VC2713
VC3611	
VE2711	VE2713
	VS2613
	VS2713
VF2400	
VF2500	

1. Effect of Walking Foot

This Foot is effective in preventing a sewing slippage of both the top and bottom plies when hemming bottom. Also, the fabrics can be fed more smoothly even at a high running speed (5500 r.p.m. or more).

Difference from VC2700

	part name	VC2700	WF1, WF2	difference
1	Walking Foot Spring	#65372 changed	#3200132	shorter
2	Presser Bar	#3100110 changed	#93480	no surface to install Finger Guard
3	Presser Bar Spring (Inner)	#60142 not necessary	—	not used
4	Presser Bar Stop	— added	#3101315	newly established
5	Screw	— added	#4440	
6	Washer	— added	#554	

2. Installation

The right Fig. I shows the condition when Head Cover and Top Cover are removed.

- (1) Remove Presser Spring Regulator① and Presser Bar Spring(Outer)②.
- (2) Remove Presser Spring(Inner)
- (3) Pass Oil Protector Ring③ through Presser Bar④.
- (4) Position Presser Bar Connecting Bracket⑤ 2.7 mm below the top of Presser Bar② and tighten Screw⑥.

Note: For VF2400 or 2500, wake it 9.2mm below.

- (5) Fix Presser Bar Stopper⑦ at the side of Presser Bar Guide with Screw⑧ so that the tapped hole in the Guide is located in the middle of the slot in the Stopper⑦.

- (6) Notes: (1) The distance from the bottom of Washer to Hinge Pin must be 9.7 mm.
(2) Before installing Walking Foot, Complete Set (Fig. II), check that the height of Walking Foot Spring⑦ is about 20 mm.

- (7) Install Walking Foot, Complete Set (Fig. II) to Presser Bar④.
- (8) Install Presser Spring Regulator① and tighten it so that the distance from the top of Machine Frame to that of the Regulator① is 33 mm as shown in the Fig. I.

Note: For VF2400 or 2500, wake it 9.2mm below.

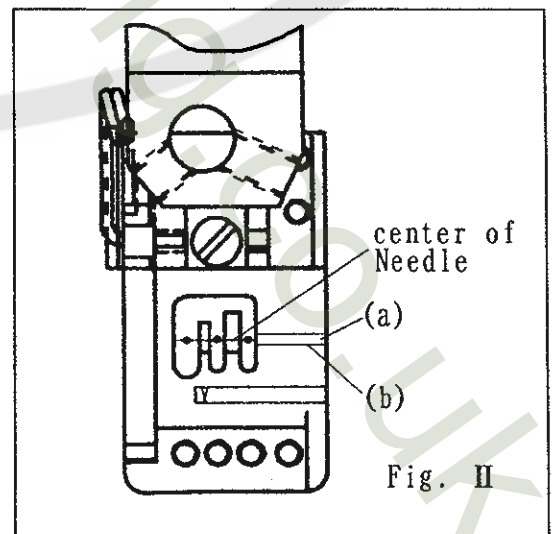
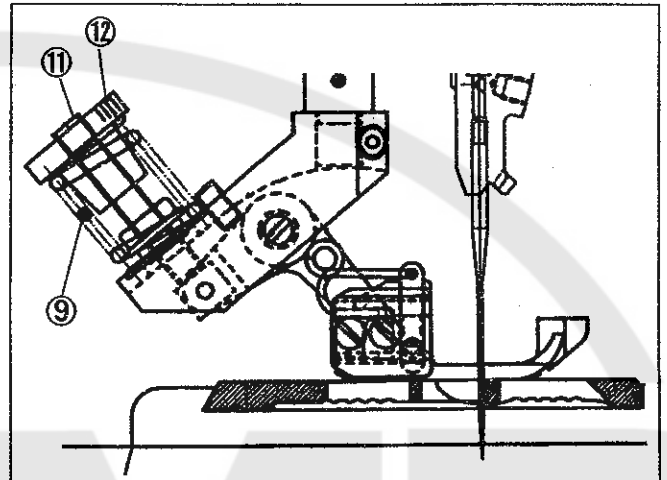
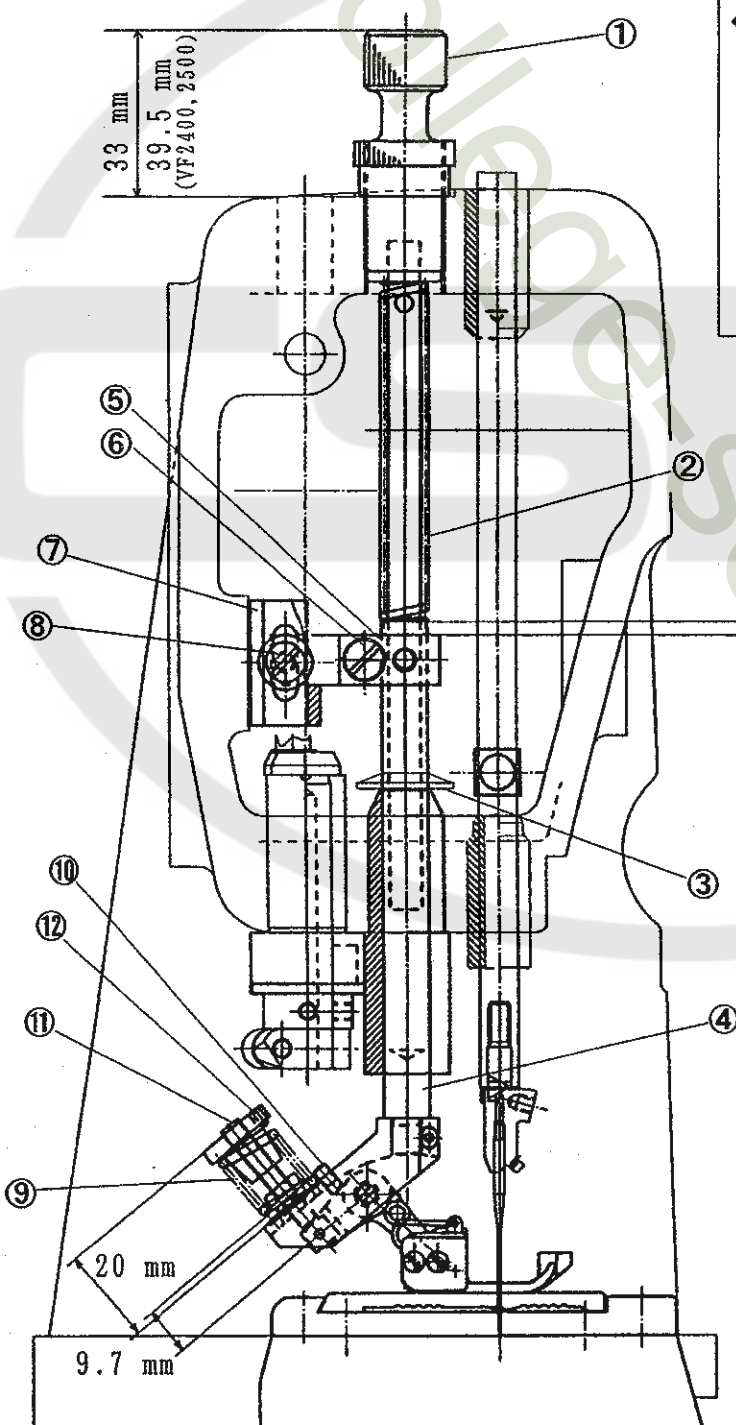
- (9) Check that when Main and Differential Feed Dogs are below the top of Stitch Plate, the bottom of the Foot touches to Stitch Plate.
- (10) And then, turn Handwheel by hand to raise the Needles to the top.
- (11) and put two-ply fabrics under the Foot.
- (12) Further turn Handwheel clockwise by hand and loosen Screw⑧ to adjust the height of the Stopper⑦ so that the middle(a) of the line on the right of needle drop hole on the Foot is aligned with the center of Needle.
- (13) Turn Handwheel clockwise by hand to check that only the bottom of the Foot moves up and down simultaneous with the movement of Feed Dogs.
If it does not, check (6)·(7)·(8) again.

- (14) Connect Presser Foot Lifter (Lifter Link) to Presser Bar Connecting Bracket (5) and Lifter Shaft (Lifter Link Lever).
And then, return other parts to the original places.

Note: Adjust the point of Presser Lifter Lever once again.

- (15) Turn Handwheel clockwise by hand to lower the Needles to the bottom.
(16) Turn Adjusting Screw (10) to adjust so that the bottom of the Foot moves rearward by 1 mm (the line (b) of the operator side of the line is aligned with the Needles) when the Foot is raised.
To move forward (operator side), turn the Screw (10) clockwise.
To move rearward, turn the Screw (10) counterclockwise.

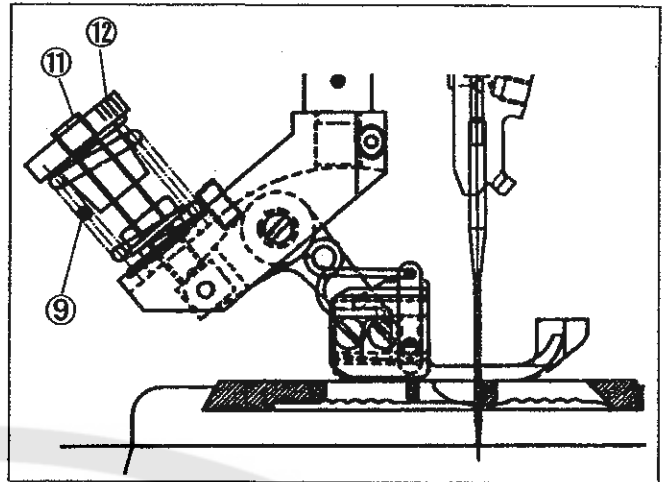
Fig. I



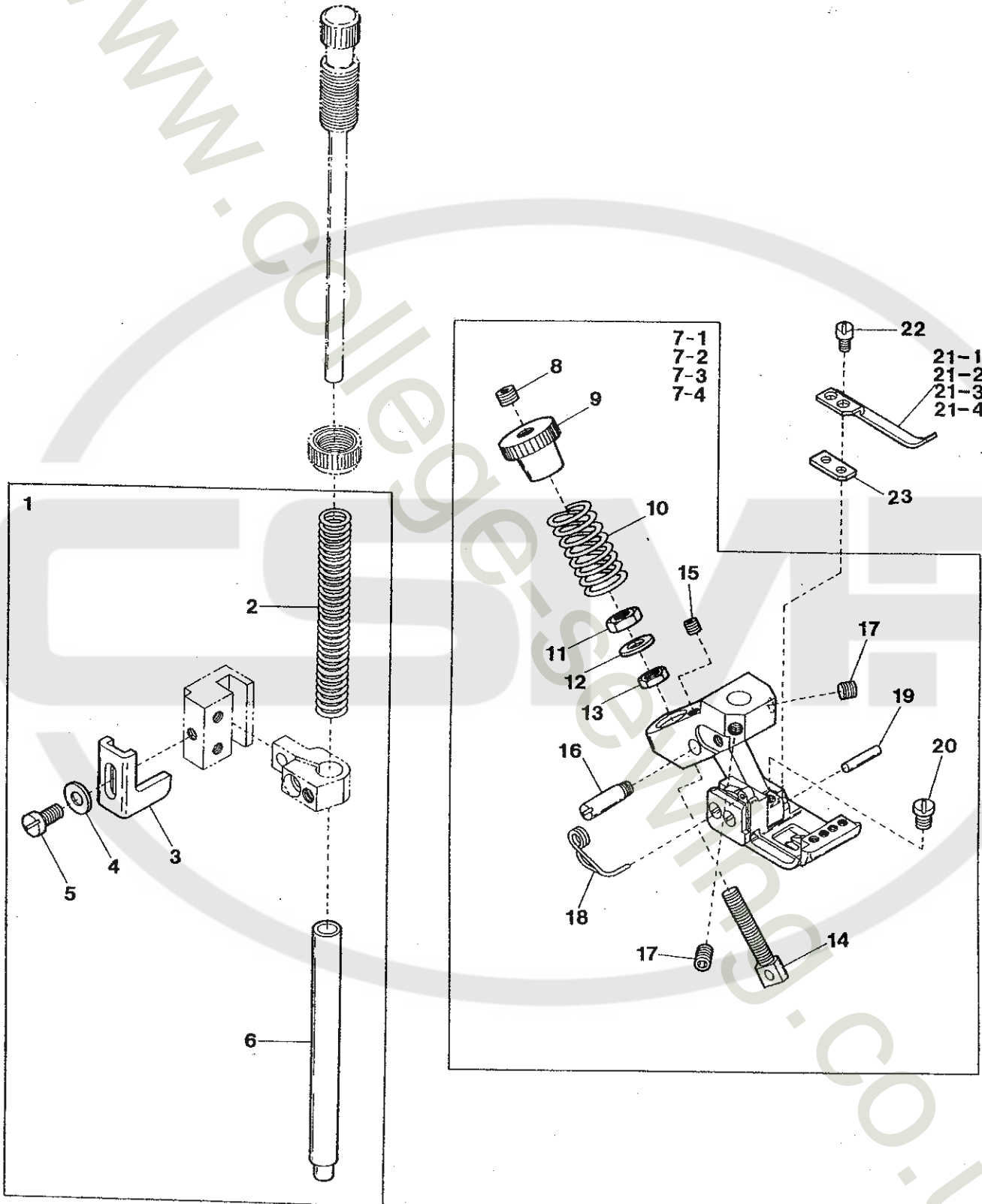
3. Adjustment

- (1) When a bottom ply is fed too much, increase the pressure of Walking Foot Spring⑨.
To increase, loosen Screw⑪ and turn Nut⑫ clockwise.
- (2) When a top ply is fed too much, decrease the pressure of the Spring⑨.
To decrease, loosen Screw⑪ and then turn Nut⑫ counterclockwise.

Note: After adjustment, tighten Screw⑪ by turning clockwise to position Nut⑫.

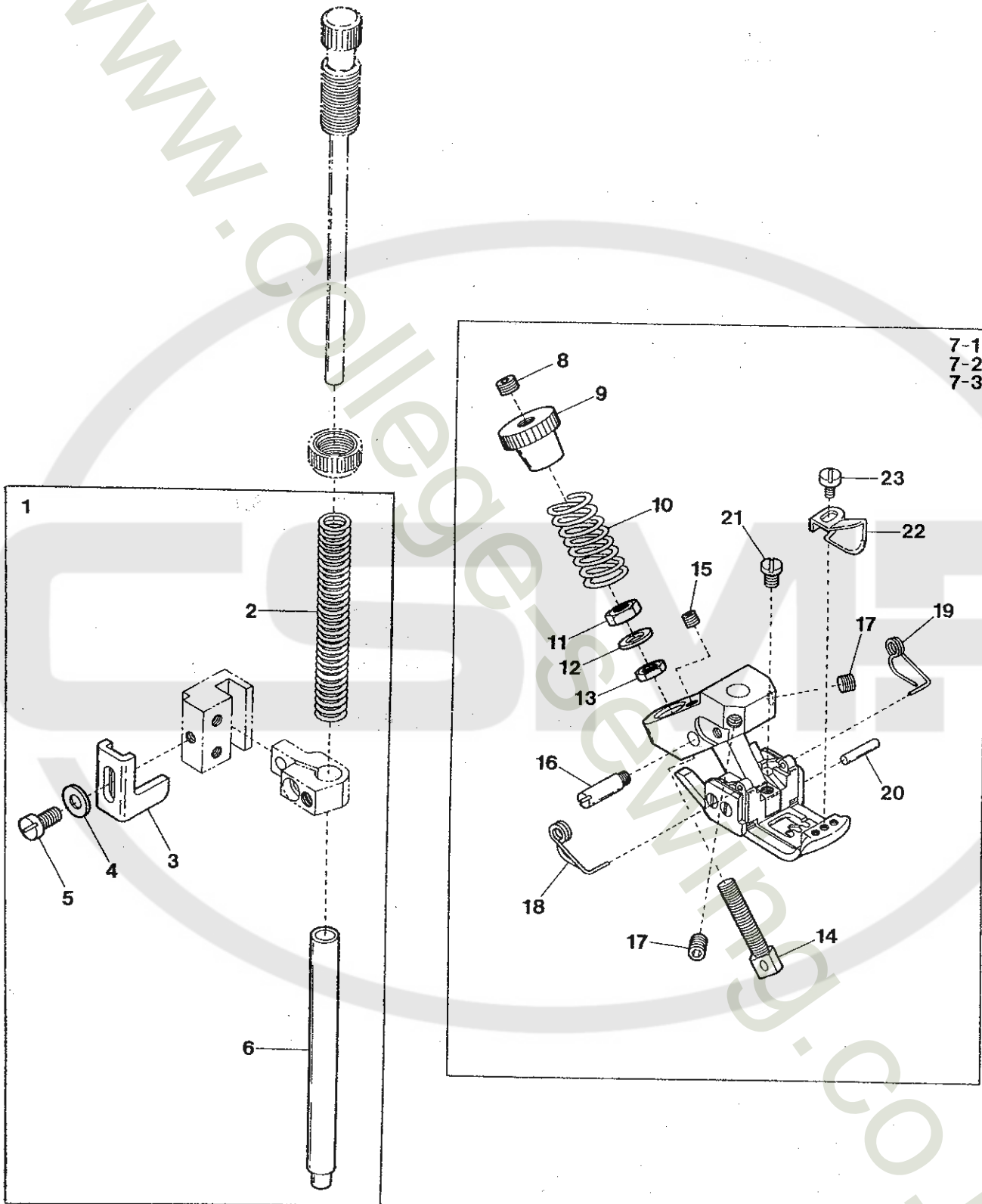


WF1 for VG2700, VC2600, 2700, 3611, VE2711, VF2400, 2500



Ref.	Parts								
No.	No.	Description		品	名				Amt.
									Req.
1	3500650	Conversion Kit for WF		WF	切換	キット			1
2	3200132	Presser Bar Spring(Outer)		押	棒	バネ	(太)		1
3	3101315	Presser Bar Stopper		押	棒	ストッパ			1
4	000538	Washer		ワ	ッ	シャ			1
5	004440	Screw(11/64-40×8.3)		止	ネ	ジ			1
6	0093480	Presser Bar		押	棒				1
7-1	3107277	Walking Foot, C. Set(48)		ウ	ォ	キ	ン	グ	押
7-2	3107270	" " (56)		"	"	"	"	"	1
7-3	3107280	" " (64)		"	"	"	"	"	1
7-4	3107275	" " (40)(2 Needle)		"	"	"	"	"	1
8	160001	Screw(M4-0.7×4)		止	ネ	ジ			1
9	100052	Nut		ナ	ツ				1
10	3207148	Presser Foot Spring		押	エ	バ	ネ		1
11	100020	Nut(M4-0.7)		ナ	ツ				1
12	000665	Washer		ワ	ッ	シャ			1
13	100057	Nut(M4-0.7)		ナ	ツ				1
14	3207146	Adjusting Screw		調	節	ネ	ジ		1
15	160025	Screw(M3-0.5×6)		止	ネ	ジ			1
16	0060270	Yoke Pin		押	エ	ヨ	ーク	ピン	1
17	160001	Screw(M4-0.7×4)		止	ネ	ジ			2
18	3107303	Presser Foot Spring(Left)		小	押	エ	バ	ネ	(左)
19	3107306	Presser Foot Hinge Pin		押	エ	ヒ	ン	ジ	ピン
20	110084	Screw(M3-0.5×4.2)		止	ネ	ジ			1
21-1	3107272	Fabric Presser(width 3.1mm)(Extra Parts)		布	押	エ	(特注	部品)	1
21-2	3107273	" (width 6.2mm)(Extra Parts)		"	"	"	(特注	部品)	1
21-3	3107274	" (width 12.6mm)(Extra Parts)		"	"	"	(特注	部品)	1
21-4	3107285	" (width 37.2mm)(Extra Parts)		"	"	"	(特注	部品)	1
22	001228	Screw(3/32-56×3.2)(Extra Parts)		止	ネ	ジ	(特注	部品)	2
23	3110201	Spacer(Extra Parts)		ス	ペ	ー	サ	(特注	部品)

WF2 for VG2713, VC2613, 2713, VE2713, VS2613, 2713



Ref. No.	Parts No.	Description	品名	Amt. Req.
1	3500650	Conversion Kit for WF	WF切換エキット	1
2	3200132	Presser Bar Spring(Outer)	押エ棒バネ(太)	1
3	3101315	Presser Bar Stopper	押エ棒ストッパ	1
4	000538	Washer	ワッシャ	1
5	004440	Screw(11/64-40×8.3)	止ネジ	1
6	0093480	Presser Bar	押エ棒	1
7-1	3507072	Walking Foot, C. Set(48)	ウォーキング押エ(組)	1
7-2	3507074	" " (56)	" "	1
7-3	3507070	" " (40)(2 Needle)	" " (2本針)	1
8	160001	Screw(M4-0.7×4)	止ネジ	1
9	100052	Nut	ナット	1
10	3207148	Presser Foot Spring	押エバネ	1
11	100020	Nut (M4-0.7)	ナット	1
12	000665	Washer	ワッシャ	1
13	100057	Nut (M4-0.7)	ナット	1
14	3207146	Adjusting Screw	調節ネジ	1
15	160025	Screw(M3-0.5×6)	止ネジ	1
16	0060270	Yoke Pin	押エヨークピン	1
17	160001	Screw(M4-0.7×4)	止ネジ	2
18	3107303	Presser Foot Spring(Left)	小押エバネ(左)	1
19	3107304	Presser Foot Spring(Right)	小押エバネ(右)	1
20	3107306	Presser Foot Hinge Pin	押エヒンジピン	1
21	110084	Screw(M3-0.5×4.2)	止ネジ	1
22	3107311	Fabric Guide	布ガイド	1
23	110027	Screw(M2.5-0.45×3.5)	止ネジ	1