

MACHINE PARTS CHART

for

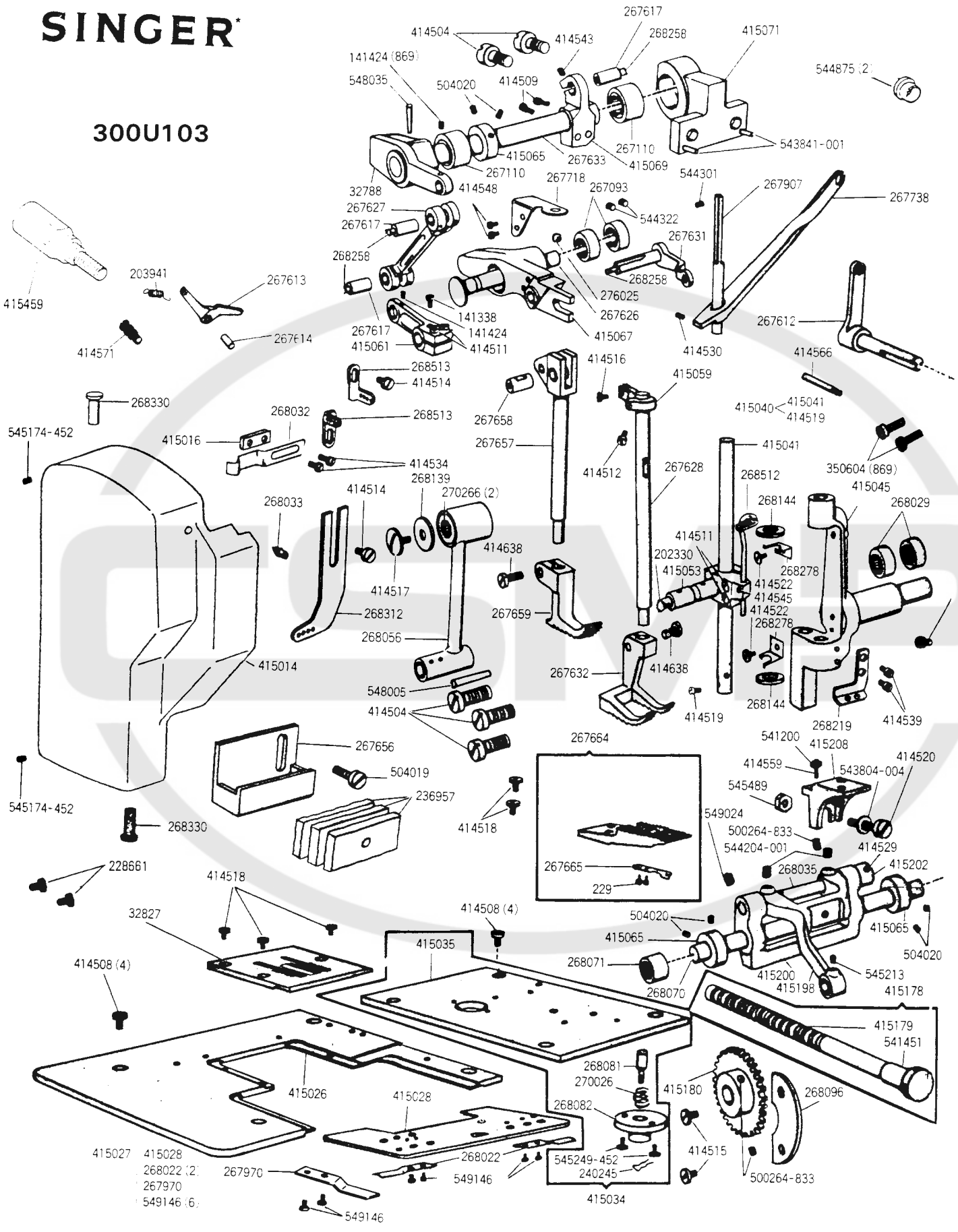
SINGER*

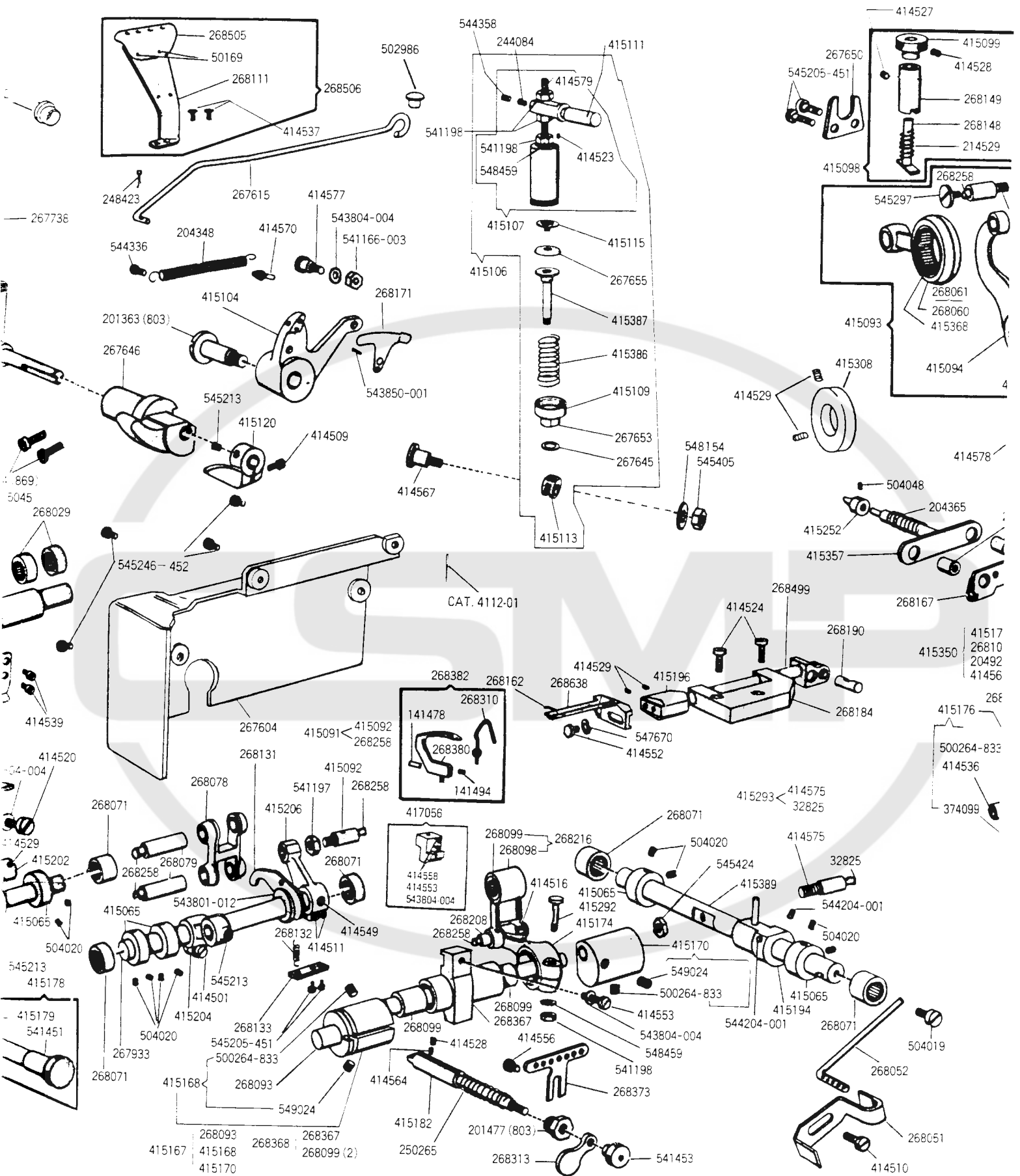
300U103

SINGER*

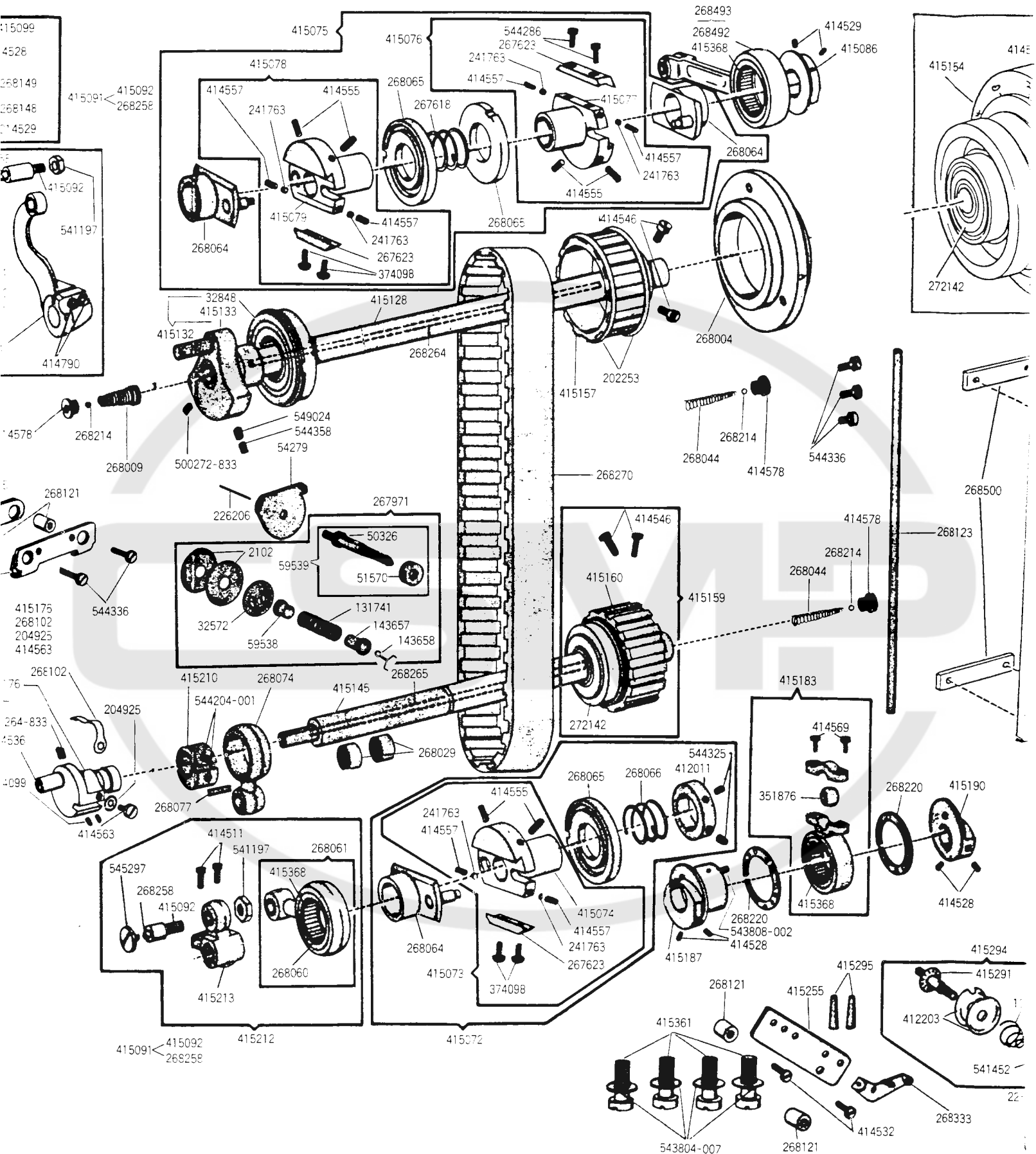
300U103

32788
32789 548035
267633



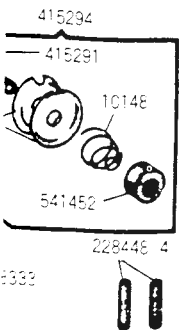
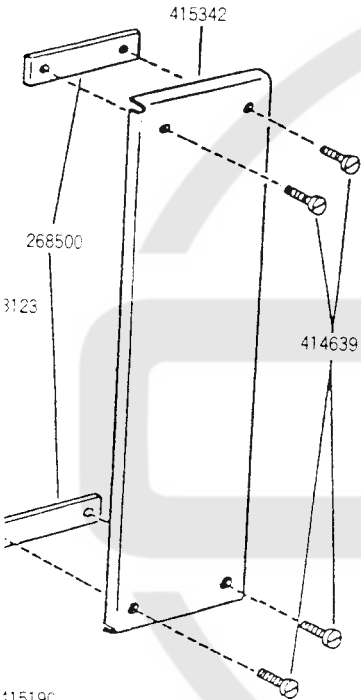
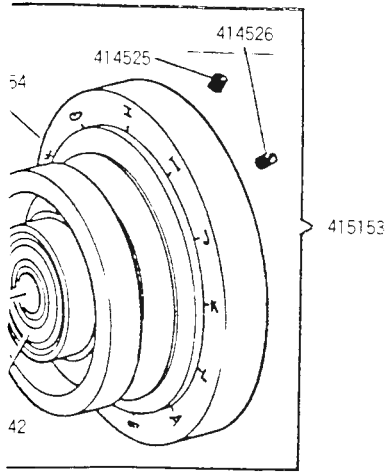


CAT. 4112-01



NUMERICAL LIST OF PARTS 300U103 MACHINE

PART NO. DESCRIPTION



229	Loop Deflector Screw (2)
2102	Needle Thread Tension Disc (2)
10148	Looper Thread Tension Spring
32572	Needle Thread Tension Releasing Disc
32788	Lifting Rock Shaft Crank with 141424
32789	Lifting Rock Shaft 267633 with 32788 and 548035
32825	Spreader Driving Rock Shaft Screw Stud Oil Packing (wick)
32827	Throat Plate
32848	Arm Shaft Ball Bearing (front)
50169	Looper Thread Guide (top of arm) Bracket Screw (2)
50326	Needle Thread Tension Stud
51570	Needle Thread Tension Thumb Nut
54279	Needle Thread Tension Thread Guide (double)
59538	Needle Thread Tension Spring Bushing (back)
59539	Needle Thread Tension Stud 50326 with 51570
131741	Needle Thread Tension Spring
141338	Lifting Crank Set Screw
141424	Lifting Link Hinge Pin Set Screw (2)
141478	Needle Guard Set Screw (back)
141494	Needle Guard Set Screw (front)
143657	Needle Thread Tension Spring Bushing (front)
143658	Needle Thread Tension Thumb Nut Locking Spring
201363	Foot Lifter Lever Hinge Screw
201477	Looper Throw-out Gear Locking Plunger Screw Bushing
202253	Arm Shaft Connection Belt Pulley Spring Flange (2)
202330	Needle Bar Connecting Stud Oil Packing (wick)
203941	Foot Lifter Lever (front) Spring
204348	Foot Lifter Lever Spring
204365	Needle Thread Tension Releaser Spring
204925	Looper Driving Crank Oil Hole Cover Screw Washer
214529	Needle Bar Rock Frame Regulating Stud Spring
226206	Needle Thread Tension Releasing Pin
228448	Machine Locating Stud (4)
228661	Face Plate Cushion (neoprene)
236957	Thread Lubricator Oil Pad (felt) (3)
240245	Feed Regulating Stud Retaining Spring
241763	Feed Driving Eccentric Friction Plate Screw Set Screw Packing (brass) (2)
241763	Lifting Eccentric Friction Plate Screw Set Screw Packing (brass) (2)
241763	Needle Bar Rock Frame Driving Eccentric Friction Plate Screw Set Screw Packing (brass) (2)
244084	Presser Bar Spring Housing Set Screw Packing (fiber)
248423	Foot Lifter Rod Cotter Pin
250265	Looper Throw-out Gear Locking Plunger Spring
267093	Lifting Lever Needle Bearing (2)
267110	Lifting Rock Shaft Needle Bearing (2)
267604	Arm Side Cover
267612	Foot Lifter Crank
267613	Foot Lifter Lever (front) with 267614
267614	Foot Lifter Lever (front) Hinge Pin
267615	Foot Lifter Lever Rod with 248423
267617	Lifting Eccentric Connection Hinge Pin with 268258
267617	Lifting Link Hinge Pin with 268258 (2)
267618	Lifting Eccentric Adjusting Disc Spring
267623	Feed Driving Eccentric Friction Plate
267623	Needle Bar Rock Frame Driving Eccentric Friction Plate
267623	Lifting Eccentric Friction Plate
267626	Lifting Lever Hinge Stud
267627	Lifting Link
267628	Lifting Presser Bar
267631	Lifting Presser Bar Lifting Crank with 268258
267632	Lifting Presser Foot with 414638
267763	Lifting Rock Shaft
267645	Presser Bar Spring Arm Fork Lock Washer (nylon)
267646	Presser Bar Spring Arm Fulcrum
267650	Presser Bar Pressure Cylinder Support Retainer
267653	Presser Bar Spring Plunger Bearing Bushing (oil retaining)
267655	Presser Bar Spring Plunger Washer (leather)
267656	Thread Lubricator with three 236957
267657	Vibrating Presser Bar
267658	Vibrating Presser Bar Hinge Stud
267659	Vibrating Presser Foot with 414638
267664	Feed Dog, 40 Needle Hole, with 267665 and two 229
267665	Loop Deflector
267718	Presser Bar Spring Arm Ball Bearing Retianer
267738	Presser Bar Spring Arm
267907	Lifting Presser Bar Guide Rod

NUMERICAL LIST OF PARTS 300U103 MACHINE

PART NO.	DESCRIPTION	PART NO.	DISCRPTION
414527	Needle Bar Rock Frame Regulating Stud Sleeve Set Screw	415065	Feed Lifting Rock Shaft Collar with two 504020 (2)
414528	Spreader Driving Eccentric Counterbalance Set Screw (2)	415065	Lifting Rock Shaft Collar with two 504020
414528	Spreader Driving Eccentric Set Screw (2)	415065	Spreader Driving Rock Shaft Collar with two 504020 (2)
414528	Looper Throw-out Gear Locking Plunger Stop Screw Set Screw	415067	Lifting Lever with two 267093
414528	Needle Bar Rock Frame Regulating Stud Cap Set Screw	415069	Lifting Eccentric Connection Crank with 414543 and two 414509
414529	Lifter Eccentric Spacing Collar Set Screw (4)	415071	Lifting Rock Shaft Bracket
414529	Spreader Holder Set Screw (2)	415072	Feed Driving Eccentric complete, Nos. 268064, 268065, 268066, 412011 and 415073
414529	Feed Bar Hinge Pin Collar Set Screw	415073	Feed Driving Flange 415074 with 267623 and two each 241763, 414555, 414557 and 374098
414530	Lifting Presser Bar Guide Rod Set Screw (lower)	415074	Feed Driving Flange
414532	Looper Thread Tension Bracket Screw (2)	415075	Lifting Eccentric and Needle Bar Rock Frame Driving Eccentric complete, Nos. 267618, 415076, 415078 and two each 268064 and 268065
414534	Face Plate Lock Spring Screw (2)	415076	Lifting Eccentric Flange 415077 with 267623 and two each 241763, 414555, 414557 and 544286
414536	Looper Driving Crank Oil Stop Screw	415077	Lifting Eccentric Frange
414537	Looper Thread Guide (top of arm) Bracket Screw (2)	415078	Needle Bar Rock Frame Driving Eccentric Flange 415079 with 267623 and two each 241763, 414555, 414557 and 374098
414539	Needle Bar Rock Frame Thread Guide Screw (2)	415079	Needle Bar Rock Frame Driving Eccentric Frange
414545	Needle Thread Guid (on needle bar connecting stud) Set Screw	415086	Lifting Eccentric Spacing Collar with two 414529
414546	Arm Shaft Connection Belt Pulley Set Screw (2)	415091	Feed Driving Connection Hinge Stud 415092 with 268258
414546	Bed Shaft Connection Belt pulley Set Screw (2)	415091	Feed Lifting Connection Hinge Stud 415092 with 268258
414548	Presser Bar Spring Arm Ball Bearing Retainer	415091	Needle Bar Rock Frame Driving Connection Hinge Stud 415092 with 268258
414543	Lifting Eccentric Connection Hinge Pin Pinch Screw	415092	Needle Bar Rock Frame Driving Connection Hinge Stud
414549	Feed Lifting Rock Shaft Crank Position Screw	415092	Feed Driving Connection Hinge Stud
414552	Spreader Screw	415092	Feed Lifting Connection Hinge Stud
414553	Looper Holder Screw	415093	Needle Bar Rock Frame Driving Arm 415094 with 415091, 541197, 268061 and 545297
414555	Feed Driving Flange Set Screw(2)	415094	Needle Bar Rock Frame Driving Arm with two 414790
414555	Lifting Eccentric Flange Set Screw (2)	415098	Needle Bar Rock Frame Regulating Stud complete, Nos. 214529, 415099, 268148 and 268149
414555	Needle Bar Rock Frame Driving Eccentric Flange Set Screw (2)	415099	Needle Bar Rock Frame Regulating Stud Cap with 414528
414556	Looper Thread Guide (on bed at looper) Screw	415104	Foot Lifter Lever with 543850-001
414557	Feed Driving Eccentric Friction Plate Screw Set Screw (2)	415106	Presser Bar Spring Housing complete, Nos. 415107, 415109, 415113, 415115, 415386, 415387, 267655 and 267645
414557	Lifting Eccentric Friction Plate Screw Set Screw (2)	415107	Presser Bar Spring Housing with 414523, 414579, 541198 and 548459
414557	Needle Bar Rock Frame Driving Eccentric Friction Plate Screw Set Screw (2)	415109	Presser Bar Spring Plunger Bearing with 267653
414558	Looper Set Screw	415111	Presser Bar Spring Housing Support with 244084 and 544358
414558	Looper Adjusting Screw	415113	Presser Bar Spring Arm Fork
414559	Feed Dog Shank Adjusting Screw	415115	Presser Bar Spring Plunger Cap
414563	Looper Driving Crank Oil Hole Cover Screw	415120	Foot Lifter Arm with 414509 and 545213
414564	Looper Throw-out Gear Locking Planger Stop Screw	415128	Arm Shaft with 268009, 268044, 268264 two each 268214 and 414578
414566	Foot Lifter Crank Stop Screw Stud	415132	Needle Bar Crank 415133 with 32848
414567	Presser Bar Spring Arm Hinge Screw	415133	Needle Bar Crank with 500272-833, 544358 and 549024
414569	Spreader Driving Connection Cap Screw (2)	415145	Bed Shaft with 268044, 268214, 268265 and 414578
414570	Foot Lifter Lever Spring Screw Eye	415153	Machine Pulley 415154 with 272142
414571	Foot Lever (front) Spring Screw Stud	414154	Machine Pulley (aluminum alloy casting)for " V " Belt (outside diameter of belt groove 2. 9 inches) with 414525 and 414526
414575	Spreader Driving Rock Shaft Screw Stud	415157	Arm Shaft Connection Belt Pulley with two each 414546 and 202253
414577	Foot Lifter Lever Rod Hinge Screw	415159	Bed Shaft Connection Belt Pulley 415160 with 272142
414578	Arm Shaft Oil Stop Ball Screw (2)	415160	Bed Shaft Connection Belt Pulley with two 414546
414578	Bed Shaft Oil Stop Ball Screw	415167	Looper Carrier Shaft 268093 with 415168 and 415170
414579	Presser Bar Spring Housing Screw Stud	415168	Looper Carrier Shaft Bushing (left) with 500264-833 and 549024
414638	Lifting Presser Foot Pinch Screw	415170	Looper Carrier Shaft Bushing (right) with 500264-833 and 549024
414638	Vibrating Presser Foot Pinch Screw	415174	Looper Carrier Crank with 414516
414639	Looper Thread Tube Cover Screw (4)	415176	Looper Driving Crank with 414536, 500264-833 and two374099
414790	Needle Bar Rock Frame Driving Arm Pinch Screw (2)	415178	Looper Throw-out Rack Rod 415179 with 541451
415014	Face Plate with 268033 and two 545174-452	415179	Looper Throw-out Rack Rod
415016	Face Plate Lock Spring Plate	415180	Looper Throw-out Gear with two 500264-833
415026	Bed Plate (left)		
415027	Bed Plate Slide 415028 complete, Nos. 267970 with two 268022 and six 549146		
415028	Bed Plate Slide		
415034	Bed Plate (right) 415035 with 240245, 268081, 268082, 270026 and two 545249-452		
416035	Bed Plate (right)		
415040	Needle Bar with 414519		
415041	Needle Bar		
415044	Needle Bar Rock Frame 415045 with 267657, 415040 and two each 414522, 268144 and 268278		
415045	Needle Bar Rock Frame		
415053	Needle Bar Connecting Stud with 202330, 414545 and two 414511		
415059	Lifting Presser Bar Guide with 414512 and 414516		
415061	Lifting Crank with 141424, 141338 and two 414511		
415065	Feed Driving Rock Shaft Collar with two 504020 (2)		

NUMERICAL LIST OF PARTS 300U103 MACHINE

PART NO.	DESCRIPTION	PART NO.	DISCRPTION
415182	Looper Throw-out Gear Locking Plunger	543804-004	Looper Holder Screw Washer
415183	Spreader Driving Connection with 415368, 351876 and two 414569	543804-007	Arm Screw Washer (4)
415187	Spreader Driving Eccentric and 543808-002 with two 414528	543808-002	Spreader Driving Eccentric Pin
415190	Spreader Driving Eccentric Counterbalance with two 414528	543841-001	Lifting Rock Shaft Bracket Position Pin (2)
415194	Spreader Driving Crank with two 544204-001	543850-001	Needle Thread Tension Releasing Plate Pin
415196	Spreader Holder with two 414529	544204-001	Feed Lifting Eccentric Set Screw (2)
415198	Feed Bar with 545213 and two 544204-001	544204-001	Feed Bar Set Screw (2)
415200	Feed Driving Rock Frame with 500264-833 and 549024	544204-001	Spreader Driving Crank Set Screw (2)
415202	Feed Bar Hinge Pin Collar with 414529	544286	Lifting Eccentric Friction Plate Screw (2)
415204	Feed Lifting Crank with 414501 and 545213	544301	Lifting Presser Bar Guide Rod Set Screw (upper)
415206	Feed Lifting Rock Shaft Crank with 414549 and two 414511	544322	Lifting Lever Hinge Stud Set Screw (2)
415208	Feed Dog Shank with 414559 and 541200	544325	Feed Driving Eccentric Adjusting Disc Spring Collar Set Screw (2)
415210	Feed Lifting Eccentric with 268077 and two 544204-001	544336	Arm Shaft Ball Bearing (back) Housing Screw (3)
415212	Feed Driving Rock Shaft Crank 415213 with 268061, 415091, 541197 and 545297	544336	Needle Thread Tension Bracket Screw (2)
415213	Feed Driving Rock Shaft Crank with two 414511	544336	Foot Lifter Lever (back) Spring Screw
415252	Needle Thread Tension Releaser Cap with 504048	544358	Needle Bar Crank Position Screw Check Screw
415255	Looper Thread Tension Bracket	544358	Presser Bar Spring Housing Set Screw
415291	Looper Thread Tension Stud	544875	Arm Plug (2)
415292	Looper Carrier Crank Clamping Stud	545174-452	Face Plate Hinge Stud Set Screw (2)
415293	Spreader Driving Rock Shaft Screw Stud 414575 with 32825	545205-451	Looper Throw-out Safety Latch Spring Bracket Screw (2)
415294	Looper Thread Tension complete, Nos. 10148, 415291, 541452 and two 412203	545205-451	Presser Bar Pressure Cylinder Support Retainer Screw (2)
415295	Arm Position Pin (2)	545213	Feed Lifting Link Hinge Pin Set Screw (2)
415308	Lifting Eccentric Spacing Collar with two 414529	545213	Foot Lifter Arm Set Screw
415342	Looper Thread Tube Cover	545213	Spreader Driving Crank Position Screw
415350	Looper Driving Crank 415176 with 204925, 268102 and 414563	545246-452	Arm Side Cover Screw (4)
415357	Needle Thread Tension Releaser	545249-452	Feed Regulating Stud Socket Screw (2)
415361	Arm Screw (4)	545405	Presser Bar Spring Arm Hinge Screw Nut
415368	Lifting Eccentric Connection Needle Bearing	545424	Spreader Driving Rock Shaft Screw Stud Nut
415368	Feed Driving Connection Needle Bearing	545297	Feed Driving Connection Cap Screw
415368	Needle Bar Rock Frame Driving Connection Needle Bearing	545297	Needle Bar Rock Frame Driving Connection Cap Screw
415368	Spreader Driving Connection Needle Bearing	545489	Feed Dog Shank Screw Look Nut
415386	Presser Bar Spring	547670	Spreader Screw Washer
415387	Presser Bar Spring Plunger	548005	Arm Head Position Pin
415389	Spreader Driving Rock Shaft with 504019	548035	Lifting Rock Shaft Crank Pin
415459	Light Fixture Stud	548154	Presser Bar Spring Arm Hinge Screw Washer
417056	Looper Holder with 414553, 543804-004 and two 414558	548459	Presser Bar Spring Housing Screw Stud Nut Lock Washer
500264-833	Looper Carrier Shaft Bushing Set Screw (2)	548459	Looper Carrier Crank Clamping Stud Washer
500264-833	Looper Driving Crank Set Screw	549024	Feed Driving Rock Frame Position Screw
500264-833	Looper Throw-out Gear Set Screw (2)	549024	Looper Carrier Shaft Bushing Position Screw (2)
500264-833	Feed Driving Rock Frame Set Screw	549024	Needle Bar Crank Position Screw
500272-833	Needle Bar Crank Set Screw	549146	Bed Plate Slide Spring Screw (6)
502986	Arm Head Plug	Cat. 4112-01	Needle = 23
504019	Looper Thread Take-up Rod Set Screw		
504019	Thread Lubricator Screw		
504020	Feed Driving Rock Shaft Collar Set Screw (4)		
504020	Feed Lifting Rock Shaft Collar Set Screw (4)		
504020	Lifting Rock Shaft Collar Set Screw (2)		
504020	Spreader Driving Rock Shaft Collar Set Screw (4)		
504048	Needle Thread Tention Releaser Cap Set Screw		
541166-003	Foot Lifter Lever Rod Hinge Screw Nut		
541197	Feed Driving Connection Hinge Stud Nut		
541197	Feed Lifting Connection Hinge Stud Nut		
541197	Needle Bar Rock Frame Driving Connection Hinge Stud Nut		
541198	Looper Carrier Crank Clamping Stud Nut		
541198	Presser Bar Spring Housing Adjusting Nut (2)		
541198	Presser Bar Spring Housing Screw Stud Nut		
541200	Feed Dog Shank Adjusting Screw Lock Nut		
541451	Looper Throw-out Rack Rod Thumb Nut		
541452	Looper Thread Tension Thumb Nut		
541453	Looper Throw-out Gear Locking Plunger Thumb Nut		
543801-012	Looper Throw-out Safety Latch Retaining Ring		
543804-004	Foot Lifter Lever Rod Hinge Screw Washer		
543804-004	Feed Dog Shank Screw Washer		
		543804-004	Looper Holder Screw Washer
		543804-007	Arm Screw Washer (4)
		543808-002	Spreader Driving Eccentric Pin
		543841-001	Lifting Rock Shaft Bracket Position Pin (2)
		543850-001	Needle Thread Tension Releasing Plate Pin
		544204-001	Feed Lifting Eccentric Set Screw (2)
		544204-001	Feed Bar Set Screw (2)
		544204-001	Spreader Driving Crank Set Screw (2)
		544286	Lifting Eccentric Friction Plate Screw (2)
		544301	Lifting Presser Bar Guide Rod Set Screw (upper)
		544322	Lifting Lever Hinge Stud Set Screw (2)
		544325	Feed Driving Eccentric Adjusting Disc Spring Collar Set Screw (2)
		544336	Arm Shaft Ball Bearing (back) Housing Screw (3)
		544336	Needle Thread Tension Bracket Screw (2)
		544336	Foot Lifter Lever (back) Spring Screw
		544358	Needle Bar Crank Position Screw Check Screw
		544358	Presser Bar Spring Housing Set Screw
		544875	Arm Plug (2)
		545174-452	Face Plate Hinge Stud Set Screw (2)
		545205-451	Looper Throw-out Safety Latch Spring Bracket Screw (2)
		545205-451	Presser Bar Pressure Cylinder Support Retainer Screw (2)
		545213	Feed Lifting Link Hinge Pin Set Screw (2)
		545213	Foot Lifter Arm Set Screw
		545213	Spreader Driving Crank Position Screw
		545246-452	Arm Side Cover Screw (4)
		545249-452	Feed Regulating Stud Socket Screw (2)
		545405	Presser Bar Spring Arm Hinge Screw Nut
		545424	Spreader Driving Rock Shaft Screw Stud Nut
		545297	Feed Driving Connection Cap Screw
		545297	Needle Bar Rock Frame Driving Connection Cap Screw
		545489	Feed Dog Shank Screw Look Nut
		547670	Spreader Screw Washer
		548005	Arm Head Position Pin
		548035	Lifting Rock Shaft Crank Pin
		548154	Presser Bar Spring Arm Hinge Screw Washer
		548459	Presser Bar Spring Housing Screw Stud Nut Lock Washer
		548459	Looper Carrier Crank Clamping Stud Washer
		549024	Feed Driving Rock Frame Position Screw
		549024	Looper Carrier Shaft Bushing Position Screw (2)
		549024	Needle Bar Crank Position Screw
		549146	Bed Plate Slide Spring Screw (6)
		Cat. 4112-01	Needle = 23
			ACCESSORIES
		21887	Wrench
		167448	Machine Base Oil Drain Jar
		202784	Foot Lifter Treadle Chain Hook (2)
		228444	Machine Cushion (neoprene) (4)
		228731	Drip Pan
		228733	Machine Rest (left)
		228734	Machine Rest (right)
		232365	Foot Lifter Treadle Chain, 41-1/2 inches long
		265307	Bed Hinge Connection (2)
		268340	Looper Threading Wire
		409813-002	Operator's Guide (U-3426)
		409838-002	Parts Chart (U-3471) (for 103 type)
		410186	Machine Rest Pin
		411151-451	Thread Unwinder complete
		414583	Wood Screw (for machine rest) (4)
		415347	Oiler Nozzle and Tube Assembly
		415377	Threader Wire
		543162	Tweezers
		544381	Bed Hinge Connection Screw (4)
		545302	Drip Pan Screw (4)
		546923	Oiler (type "B"130cc)
		Cat. 4112-01	Needle (62 x 59) Size 23 (6)
			AVAILABLE AT EXTRA CHAGE
		415433	Belt Guard complete