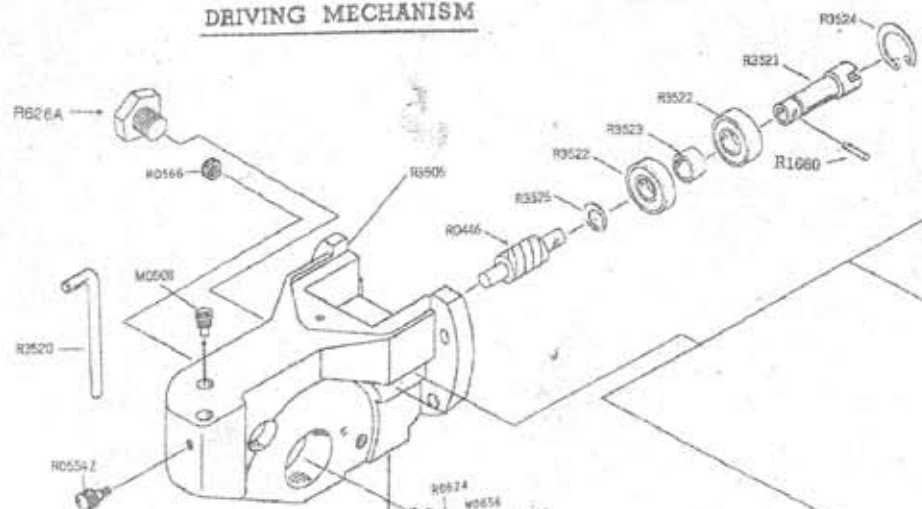
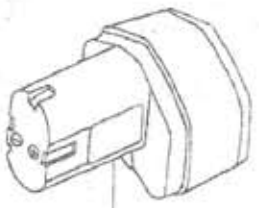
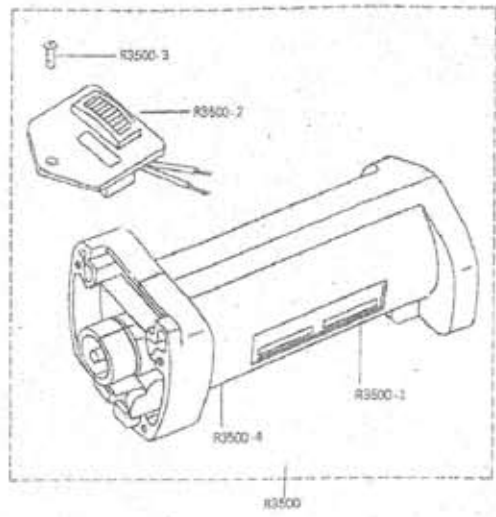
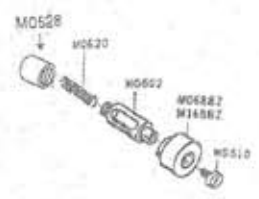


DRIVING MECHANISM

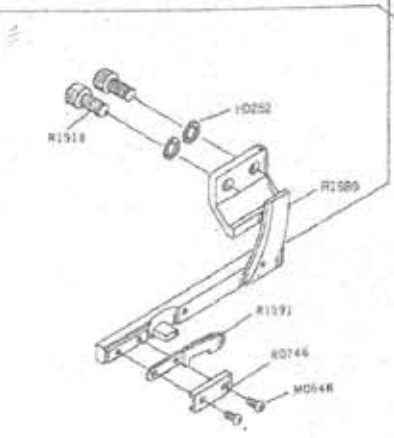


SHARPENING MECHANISM

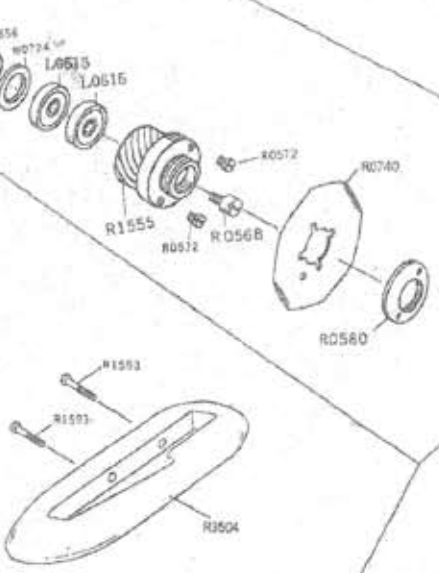


R3501H

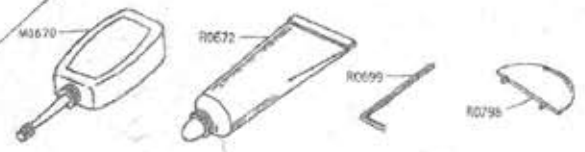
MOTOR PARTS



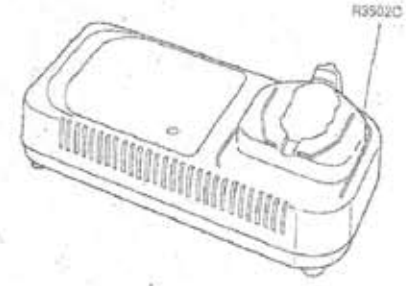
BASE & CUTTING GUIDE



KNIVES (OPTION)



ACCESSORIES



R3502C

CHARGER

DRIVING MECHANISM

- R0445.....Worm
- M0508.....Stepped Screw
- R0544Z.....Knob Screw
- R0564.....Spacer
- R0566.....Nut
- R0572.....Flat Head Screw
- M0614.....Pin
- R0624.....Stepped Shaft
- R626A.....Grease Cup
- L0615.....Ball Bearing
- M0556.....Snap Ring
- M0724.....Washer
- R0668.....Flat Head Screw
- R0580.....Knife Lock Nut

- R1555.....Worm Wheel
- R3505.....Gear Housing
- R3520.....Guard Bar
- R3521.....Shaft
- R3522.....Ball Bearing
- R3523.....Spacer
- R3524.....C Ring
- R3525.....Inverted Ring
- R0740.....B-Sided Knife

SHARPENING MECHANISM

- M0510.....Flat Head Screw
- M0528.....Push Button
- M0602.....Stepped Shaft
- M0620.....Spring
- R0688Z.....Sharpening Stone Medium(Standard)
- R1888Z.....Sharpening Stone Fine(Optional)

BASE & CUTTING GUIDE

- H0252.....Toothed Washer
- M0548.....Fillister Head Screw
- R0746.....Plate
- R1516.....Allen Screw
- R1589.....Cutting Guide
- R1591.....Counter Blade
- R1593.....Bolt
- R3504.....Base

MOTOR PARTS

- R3500.....Motor/Switch Assy.
- R3500-1.....Rotor Only
- R3500-2.....Switch/Plate Assy.
- R3500-3.....Screw
- R3500-4.....CNE-touch Lever

R3501H • Battery (EB900H)

CHARGER

R3502C • Charger (100V)

KNIVES

- R0741.....6-sided Knife (Option)
- R0742.....Round Knife (Option)



ALSO AVAILABLE HEAT FREE TEFLON COATED KNIFE FOR ANTI-FRICTION (OPTION)

- R0740HF.....Heat-Free 8-sided Knife
- R0741HF.....Heat-Free 6-sided Knife
- R0742HF.....Heat-Free Round Knife

ACCESSORIES

- M0670.....Diler
- R0672.....Tube of Grease
- R0699.....Allen Key (3mm)
- R0798.....Spanner