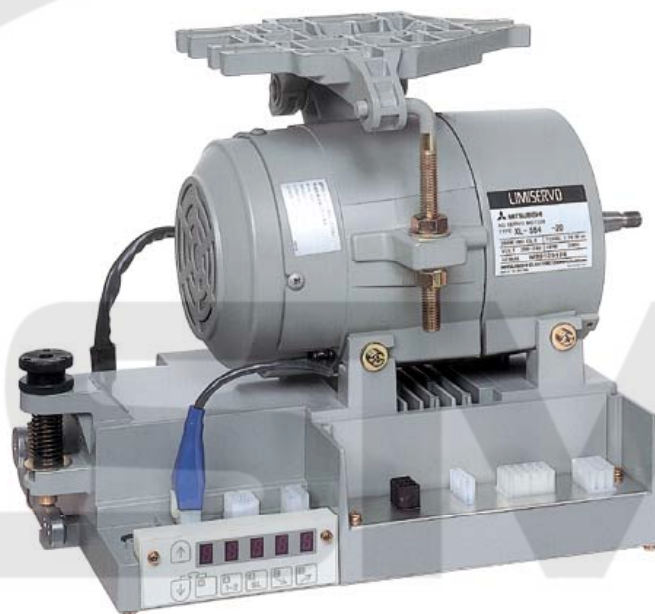


# MITSUBISHI

## LIMISERVO X Servo Motor Parts List

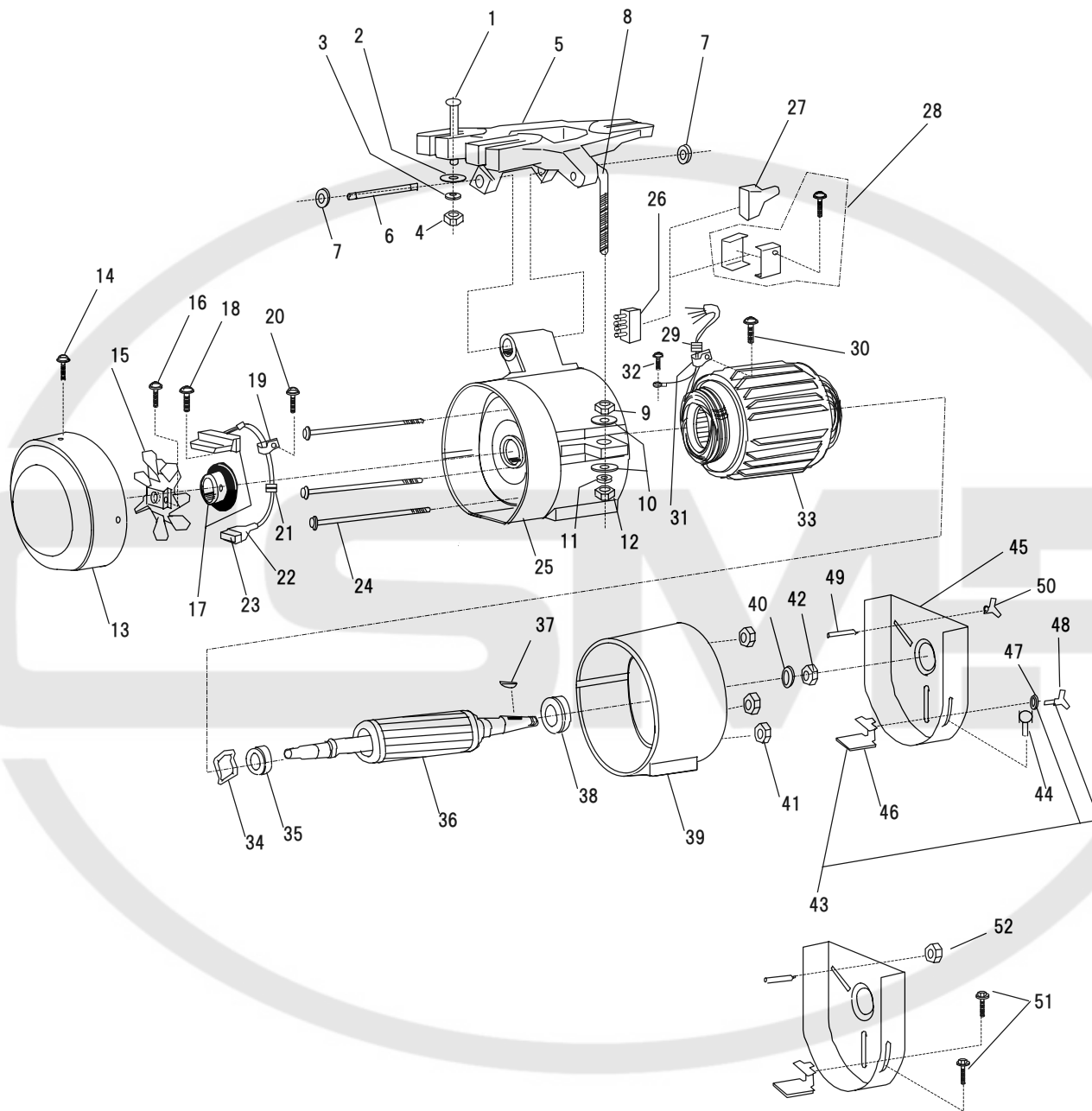
Model **XL-554-20Y**  
**XC-FMFYCE-20-05**



	INDEX	Page
<b>A</b>	MotorC	1
<b>B</b>	Control box	3
<b>C</b>	Main parts on circuit board (For 200-240V)	5
<b>D</b>	Main parts on circuit board (For 100-120V)	7
<b>E</b>	Main parts on circuit board (For 200-240V(CE))	9
<b>F</b>	Main parts on circuit board (For display board)	9
<b>M</b>	Accessory and option parts	13
<b>N</b>	Index	15



 三菱電機株式会社

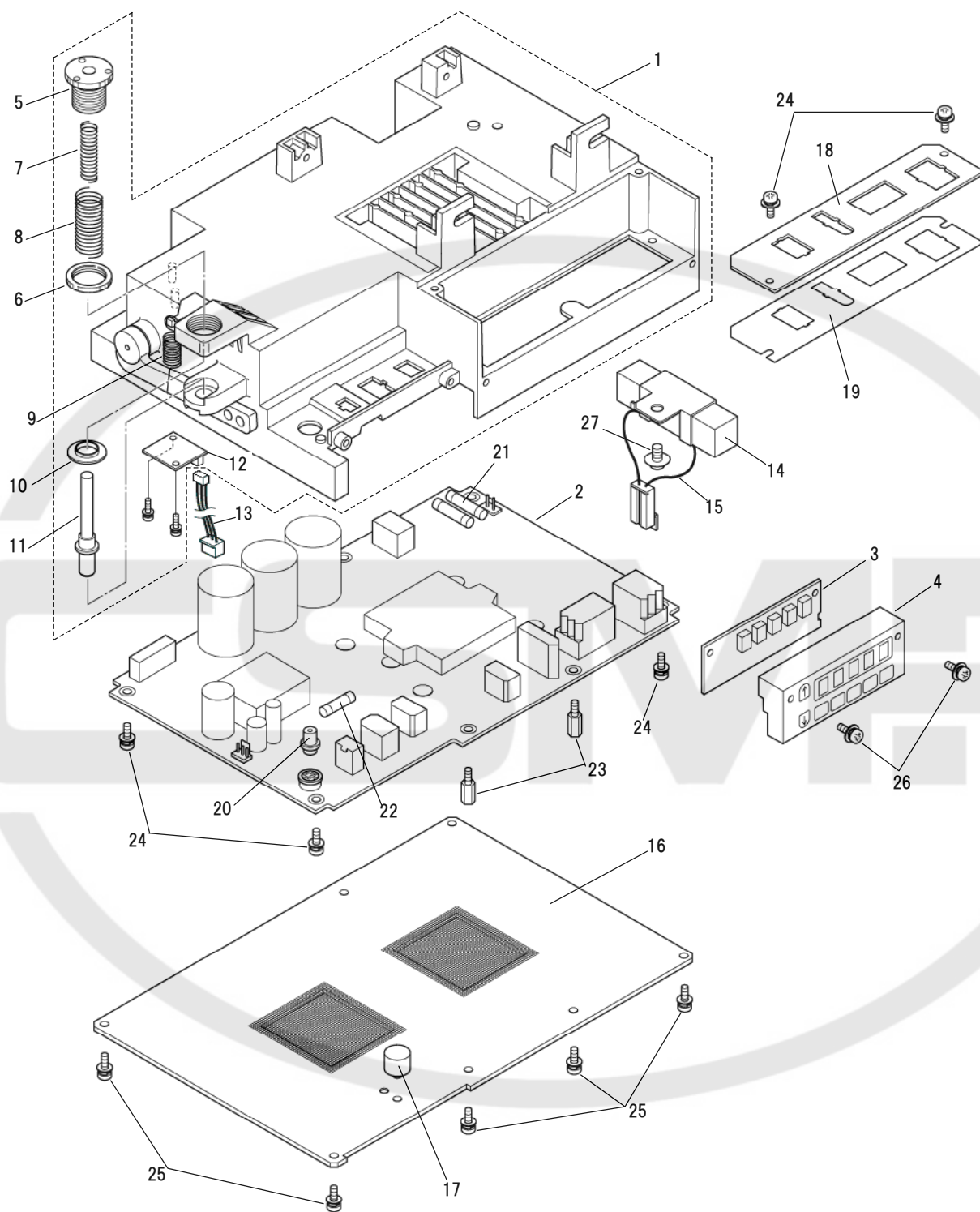


**A MOTOR**

**XL-554-20Y**

Fig No.	Mod.	Parts.No.	Description	Amt.Reg.				
				XL-554-10	XL-554-20	XL-554-10Y	XL-554-20Y	XL-554-20Y(CE)
A1		K14M90451403	Bolt M8*70	3	3	3	3	3
A2		K14M91490801	Washer	3	3	3	3	3
A3		K14S91321008	Spring Washer 8	3	3	3	3	3
A4		K14S91001008	Nut M8	3	3	3	3	3
A5		K14M97899142	Base	1	1	1	1	1
A6		K14M92187501	Base-pin	1	1	1	1	1
A7		K14S92221090	E-Ring 9	2	2	2	2	2
A8		K14M98501203	Adjusting Bolt	1	1	1	1	1
A9,A12		K14S91001010	Nut M10	2	2	2	2	2
A10		K14S91304010	Washer	1	1	1	1	1
A11,A40		K14S91321010	Spring Washer 10	1	1	1	1	1
A13		K14M97985401	Fan Cover (with Rubber)	1	1	1	1	1
A14		K14S90721408	P-Tap Screw M4*8	3	3	3	3	3
A15		K14M96431584	Fan	1	1	1	1	1
A16		K14S90741516	FT-P-Screw M5*0.8*16	1	1	1	1	1
A17		K14M75946501	Encoder	1	1	1	1	1
A18		K14S90203410	P-Screw with SW & PW M4*0.7*10	2	2	2	2	2
A19		K14S94522003	Nylon Clip HP-3N	1	1	1	1	1
A20,A30		K14S90751408	TT-P Screw M4*0.7*8	1	1	1	1	1
A21		K14M76523101	Protective Bushing KR-51	1	1	1	1	1
A22		K14M51510301	Cap 515103	1	1	1	1	1
A23		K14M17233901	Connector 172339-1	1	1	1	1	1
A24		K14M90355001	Bolt M6*1.0*140	3	3	3	3	3
A25		K14M38270145	Bracket	1	1	1	1	1
A26		K14M73493601	Connector [60-9090-304-108-005, White]	1	-	1	-	-
A26		K14M73493602	Connector [60-9090-304-118-006, Brown]	-	1	-	1	1
A27		K14M96824404	Vinyl Cap	1	1	-	-	-
A28		K14M94319501	Strain relief	-	-	2	2	2
A28		K14S90704308	P-Tap Screw (strain relief)	-	-	2	2	2
A29		K14S93501305	Protective Bushing	1	1	1	1	1
A31		K14S94522004	Nylon Clip HP-4N	1	1	1	1	1
A32		K14S90203408	P-Screw with SW & PW M4*0.7*8	1	1	1	1	1
□§ A33		-----	Stator Assembly	1	1	1	1	1
A34		K14M73920134	Preload Spring	1	1	1	1	1
A35		K14S86202379	Shield ball Bearing #6202	1	1	1	1	1
A36		K14M09046401	Rotor Assembly (with shaft and spacer)	1	1	1	1	1
A37		K14S92531413	Woodruff key 4*13	1	1	1	1	1
A38		K14S86203379	Shield ball Bearing #6202	1	1	1	1	1
A39		K14M38270044	Bracket	1	1	1	1	1
A41		K14S91001006	Nut M6	3	3	3	3	3
A42		K14M91025401	Nut M10	1	1	1	1	1
A43		K14M09023108	Belt guide assy	1	1	1	1	1
A44		K14M20000001	Special Screw No.2 M4*10	2	2	2	2	-
A45		K14M96812506	Bolt cover	1	1	1	1	1
A46		K14M98877701	Bolt guide	1	1	1	1	1
A47		K14M51212010	Washer	1	1	1	1	-
A48		K14S90353410	Bolt	1	1	1	1	-
A49		K14M98501401	Protective Rod	1	1	1	1	1
A50		K14S91068005	Thumb nut	1	1	1	1	-
A51		K14S90363936	P-Bolt with SW & PW M4*0.7*12	-	-	-	-	3
A52		K14S91001005	Nut M5	-	-	-	-	1

□§-mark : Please send us the information of motor (model name, voltage).



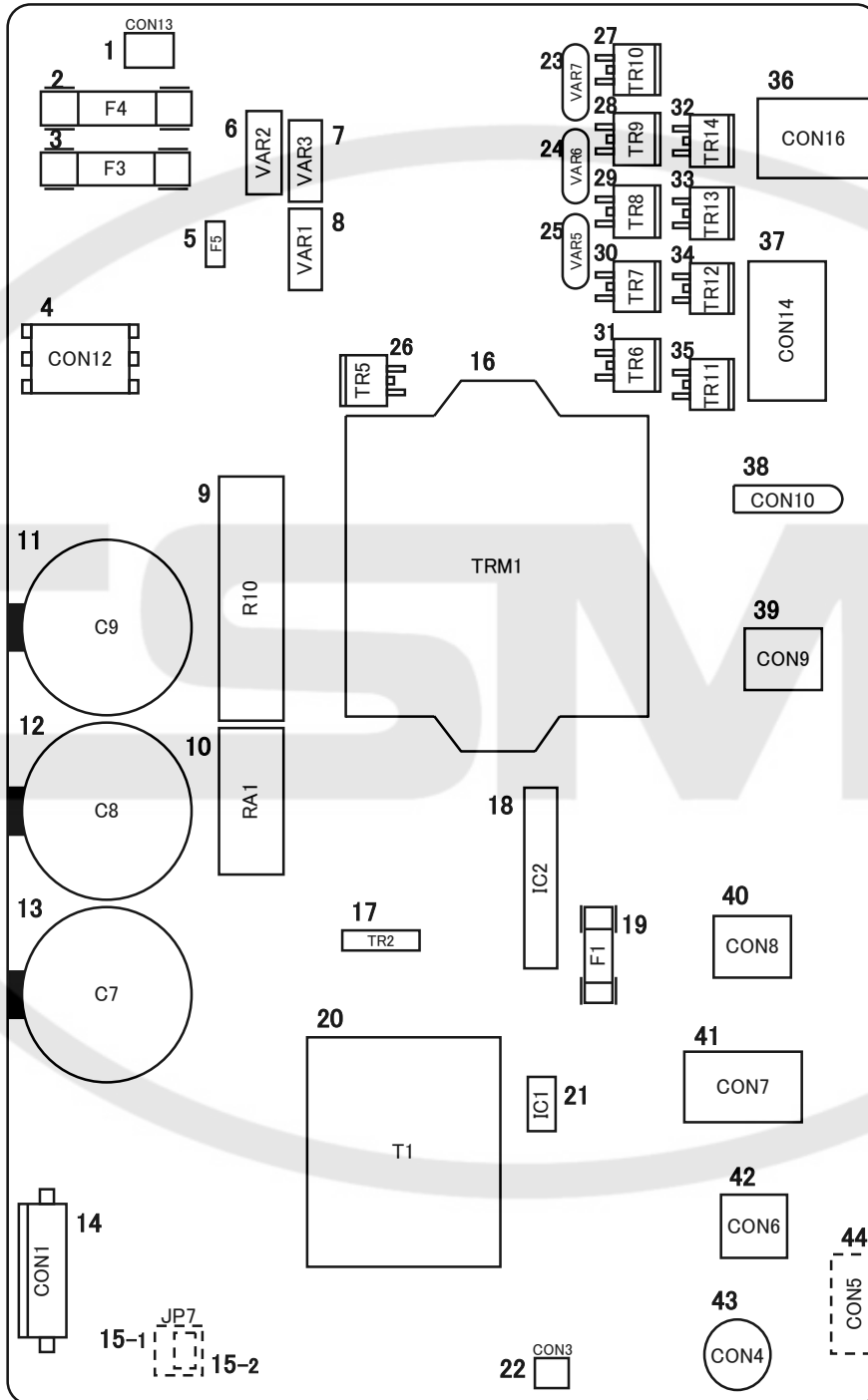
**B CONTROL BOX**

**XC-F** □ □ □ □ □ - □ □ - □ □ □

Fig No.	Mod.	Parts.No.	Description	Amt.Reg.				
				FMF-10-05	FMFY-10-05	FMF-20-05	FMFY-20-05	FMFYCE-20-05
B1		K14M72204101	Box	1	1	1	1	1
B2		K14M72204201	P.C.B assy:[XC-F1-10]	1	-	-	-	-
B2		K14M72204202	P.C.B assy:[XC-F1-10] (Y)	-	1	-	-	-
B2		K14M72204203	P.C.B assy:[XC-F1-20]	-	-	1	-	-
B2		K14M72204204	P.C.B assy:[XC-F1-20] (Y)	-	-	-	1	-
B2		K14M72204205	P.C.B assy:[XC-F1-CE]	-	-	-	-	1
B3		K14M72208111	P.C.B assy:[XC-F1-1D]	1	1	1	1	1
B4		K14M72239001	Panel assy	1	1	1	1	1
B5		K14M71237001	Adjusting Bolt	1	1	1	1	1
B6		K14M71237101	Special Nut	1	1	1	1	1
B7		K14M72073101	Coil Spring (A)	1	1	1	1	1
B8		K14M72073102	Coil Spring (B)	1	1	1	1	1
B9		K14M70173004	Coil Spring	1	1	1	1	1
B10		K14M71259101	Special Washer	1	1	1	1	1
B11		K14M71263001	Pin	1	1	1	1	1
B12		K14M72208211	P.C.B assy: [XC-F1-1C]	1	1	1	1	1
B13		K14M72226830	Cord assy.	1	1	1	1	1
B14		K14M030A101K	Resistor (100-120V)	1	1	-	-	-
B14		K14M030A221K	Resistor (200-240V)	-	-	1	1	1
B15		K14M72226230	Cord assy.	1	1	1	1	1
B16		K14M72257201	Cover	1	1	1	1	1
B17		K14M72272001	Gum	1	1	1	1	1
B18		K14M72250101	Panel	1	1	1	1	1
B19		K14M72275301	Guard	-	-	-	-	1
B20		K14M72230201	Cap	-	-	-	-	1
B21		K14S46000040	Fuse 20A	1	1	2	2	-
B21		K14S46000063	Fuse 15A	-	-	-	-	2
B22		K14S46000067	Fuse 2.5A	1	1	1	1	1
B23		K14M72269201	Support	3	3	3	3	3
B24		K14S90203410	P-screw with SW & PW M4*10	8	8	6	6	6
B25		K14S90203408	P-screw with SW & PW M4*8	9	9	9	9	9
B26		K14S90203212	P-screw with SW & PW M3*12	2	2	2	2	2
B27		K14M09046202	T.T-P screw 4*6	1	1	1	1	1

**C MAIN PARTS ON CIRCUIT BOARD (FOR 200-240V)**

**XC-F1-20**



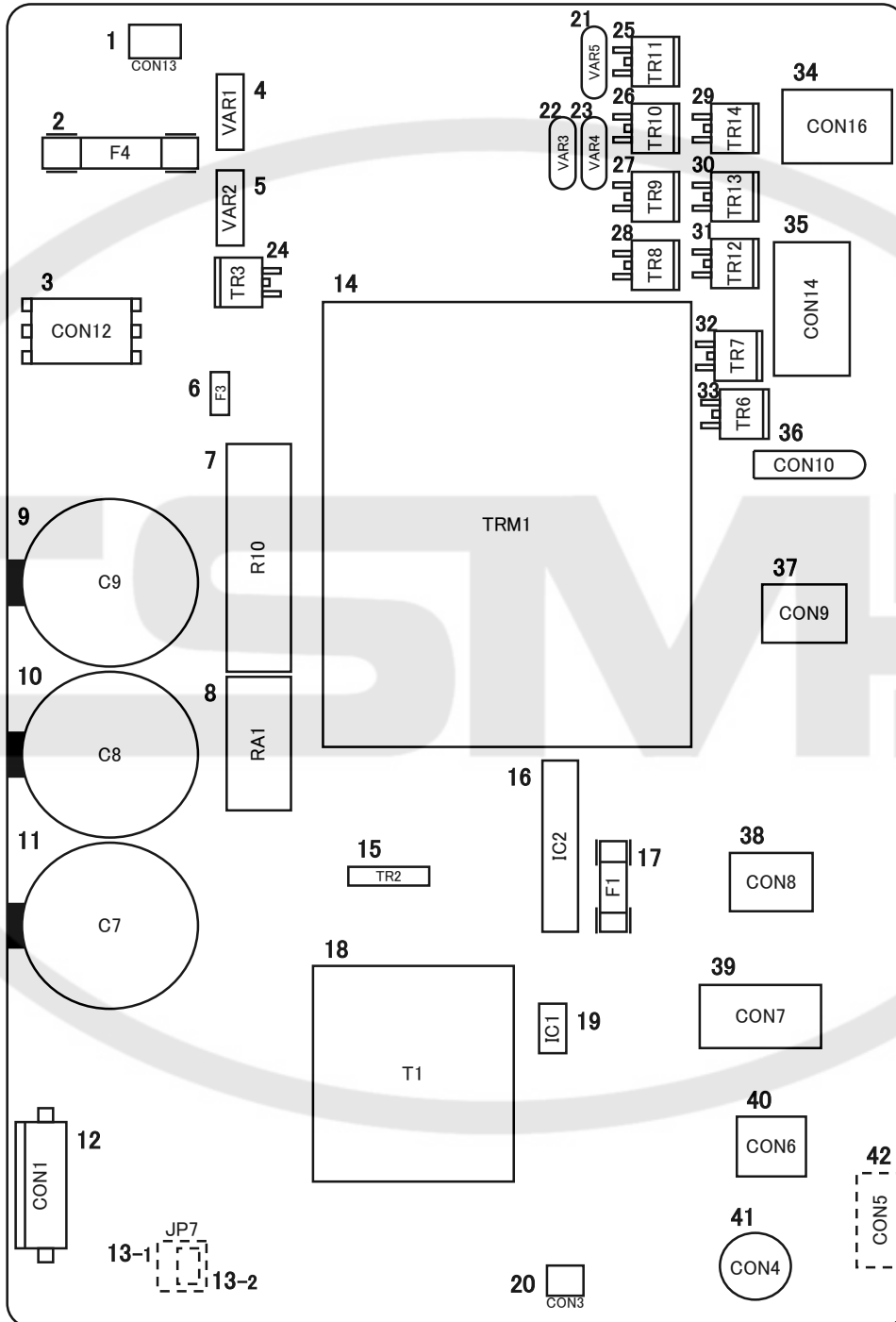
**C MAIN PARTS ON CIRCUIT BOARD (FOR 200-240V)****XC-F1-20**

Fig No.	Mod.	Parts.No.	Description	Amt.Reg.
				XC-F1-20
C1		K14M95074100	Connector [RTB-1.5-2F]	1
C2,3		K14M46000040	Fuse [MF60NR-20A]	2
C4		K14M95000818	Connector [00-9090-06-0105-805]	1
C5		K14M46000068	Fuse [SST 250V 2A]	1
C6-8		K14S18570243	Varistor [NV470D14]	3
C9		K14M10018500	15W 10Ω [MPS15N100J]	1
C10		K14M40000079	Relay [G2R-1A-E-ASI DC12V]	1
C11-13		K14M11000029	470μ, 450V [LLQ2W471MHLEMG]	3
C14		K14M95000950	Connector [00-9090-04-5116-805]	1
C15-1		K14M95001110	Connector [00-8261-0933-10-806]	1
C15-2		K14M95015800	Connector [00-8261-0653-06-807]	1
C16		K14M15600150	Transistor [PS11035-1]	1
C17		K14M15000216	Transistor [FS10SM-18A]	1
C18		K14M21K01188	Hybrid IC [HIC BKO-E3175H02]	1
C19		K14M46000067	Fuse [MF51NN2.5A]	1
C20		K14M62400162	Transformer [BKO-E3172H02]	1
C21		K14M21000021	IC [NJM7805FA]	1
C22		K14M95064600	Connector [00-8263-0312-00-000]	1
C23-25		K14M16900002	Varistor [TNR15G220K]	3
C26		K14M15000218	Transistor [FS4VS-12-T11]	1
C27-29,31-35		K14M15000040	Transistor [FS10VSJ-2-T11]	8
C30		K14M15000202	Transistor [2SJ412(TE24L)]	1
C36		K14M72279204	Connector [E722C792G04]	1
C37		K14M72279205	Connector [E722C792G05]	1
C38		K14M72279201	Connector [E722C792G01]	1
C39		K14M72279203	Connector [E722C792G03]	1
C40		K14M72279202	Connector [E722C792G02]	1
C41		K14M72279206	Connector [E722C792G06]	1
C42		K14M72279301	Connector [E722D793G01]	1
C43		K14M95000027	Connector [TCS7668-01-201]	1
C44		K14M95000826	Connector [15PS-JE]	1



**D MAIN PARTS ON CIRCUIT BOARD (FOR 100-120V)**

**XC-F1-10**

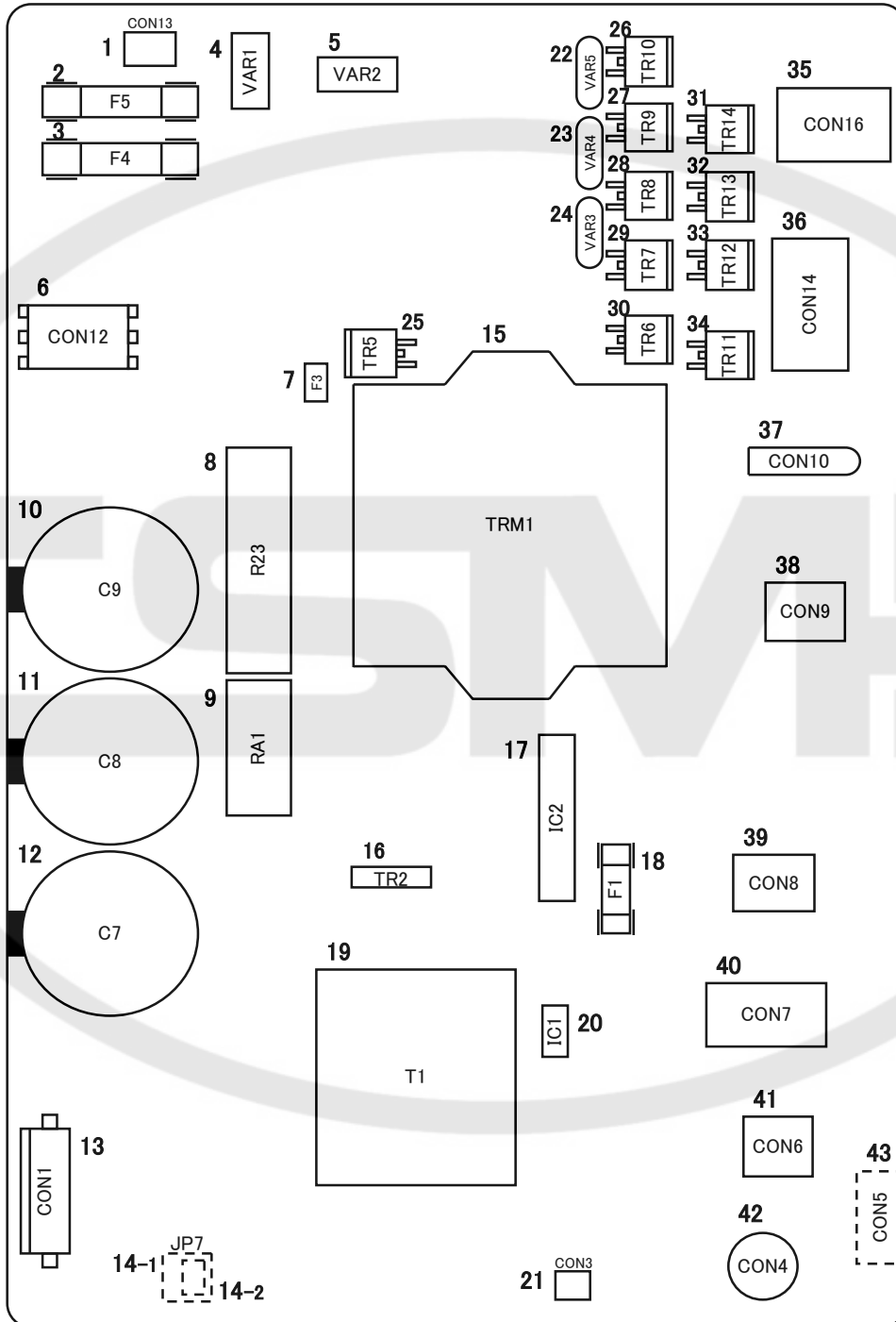


**D MAIN PARTS ON CIRCUIT BOARD (FOR 100-120V)****XC-F1-10**

Fig No.	Mod.	Parts.No.	Description	Amt.Reg.
				XC-F1-10
D1		K14M95074100	Connector [RTB-1.5-2F]	1
D2		K14M46000040	Fuse [MF60NR-20A]	1
D3		K14M95000818	Connector [00-9090-06-0105-805]	1
D4-5		K14M16910900	Varistor [NV220D14]	2
D6		K14M46000068	Fuse [SST 250V 2A]	1
D7		K14M10018600	15W 5.6Ω [MPS15N5R6J]	1
D8		K14M40000079	Relay [G2R-1A-E-ASI DC12V]	1
D9-11		K14M11000527	1500μ, 250V [LGU2E152MHLC]	3
D12		K14S95043726	Connector [00-9090-04-5105-805]	1
D13-1		K14M95001110	Connector [00-8261-0933-10-806]	1
D13-2		K14M95015800	Connector [00-8261-0653-06-807]	1
D14		K14M15600151	Transistor [PS11036-1]	1
D15		K14M15000241	Transistor [FS22SM-10]	1
D16		K14M21001188	Hybrid IC [HIC BKO-E3175H02]	1
D17		K14M46000067	Fuse [MF51NN2.5A]	1
D18		K14M62400163	Transformer [BKO-E3172H01]	1
D19		K14M21000021	IC [NJM7805FA]	1
D20		K14M95064600	Connector [00-8263-0312-00-000]	1
D21-23		K14M16900002	Varistor [TNR15G220K]	3
D24		K14M15000218	Transistor [FS4VS-12-T11]	1
D25-27,29-33		K14M15000040	Transistor [FS10VSJ-2-T11]	8
D28		K14M15000202	Transistor [2SJ412(TE24L)]	1
D34		K14M72279204	Connector [E722C792G04]	1
D35		K14M72279205	Connector [E722C792G05]	1
D36		K14M72279201	Connector [E722C792G01]	1
D37		K14M72279203	Connector [E722C792G03]	1
D38		K14M72279202	Connector [E722C792G02]	1
D39		K14M72279206	Connector [E722C792G06]	1
D40		K14M72279301	Connector [E722D793G01]	1
D41		K14M95000027	Connector [TCS7668-01-201]	1
D42		K14M95000826	Connector [15PS-JE]	1

**E MAIN PARTS ON CIRCUIT BOARD (FOR 200-240V(CE))**

**XC-F1-CE**



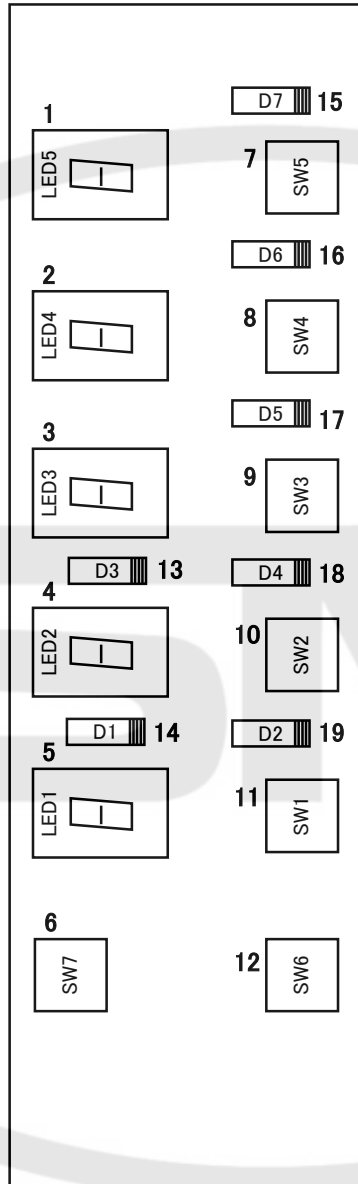
# E MAIN PARTS ON CIRCUIT BOARD (FOR 200-240V(CE))

XC-F1-CE

Fig No.	Mod.	Parts.No.	Description	Amt.Reg.	XC-F1-CE
E1		K14M95074100	Connector [RTB-1.5-2F]	1	
E2-3		K14M46000063	Fuse [MF60NR-15A]	2	
E4,5		K14S18570243	Varistor [NV470D14]	2	
E6		K14M95000818	Connector [00-9090-06-0105-805]	1	
E7		K14M46000068	Fuse [SST 250V 2A]	1	
E8		K14M10018500	15W 10Ω [MPS15N100J]	1	
E9		K14M40000079	Relay [G2R-1A-E-ASI DC12V]	1	
E10-12		K14M11000029	470μ, 450V [LLQ2W471MHLEMG]	3	
E13		K14M95000950	Connector [00-9090-04-5116-805]	1	
E14-1		K14M95001110	Connector [00-8261-0933-10-806]	1	
E14-2		K14M95015800	Connector [00-8261-0653-06-807]	1	
E15		K14M15600150	Transistor [PS11035-1]	1	
E16		K14M15000216	Transistor [FS10SM-18A]	1	
E17		K14M21001188	Hybrid IC [HIC BKO-E3175H02]	1	
E18		K14M46000067	Fuse [MF51NN2.5A]	1	
E19		K14M62400162	Transformer [BKO-E3172H02]	1	
E20		K14M21000021	IC [NJM7805FA]	1	
E21		K14M95064600	Connector [00-8263-0312-00-000]	1	
E22-24		K14M16900002	Varistor [TNR15G220K]	3	
E25		K14M15000218	Transistor [FS4VS-12-T11]	1	
E26-28,30-34		K14M15000040	Transistor [FS10VSJ-2-T11]	8	
E29		K14M15000202	Transistor [2SJ412(TE24L)]	1	
E35		K14M72279204	Connector [E722C792G04]	1	
E36		K14M72279205	Connector [E722C792G05]	1	
E37		K14M72279201	Connector [E722C792G01]	1	
E38		K14M72279203	Connector [E722C792G03]	1	
E39		K14M72279202	Connector [E722C792G02]	1	
E40		K14M72279206	Connector [E722C792G06]	1	
E41		K14M72279301	Connector [E722D793G01]	1	
E42		K14M95000027	Connector [TCS7668-01-201]	1	
E43		K14M95000826	Connector [15PS-JE]	1	

**F** MAIN PARTS ON CIRCUIT BOARD (FOR DISPLAY BOARD)

XC-F1-1D

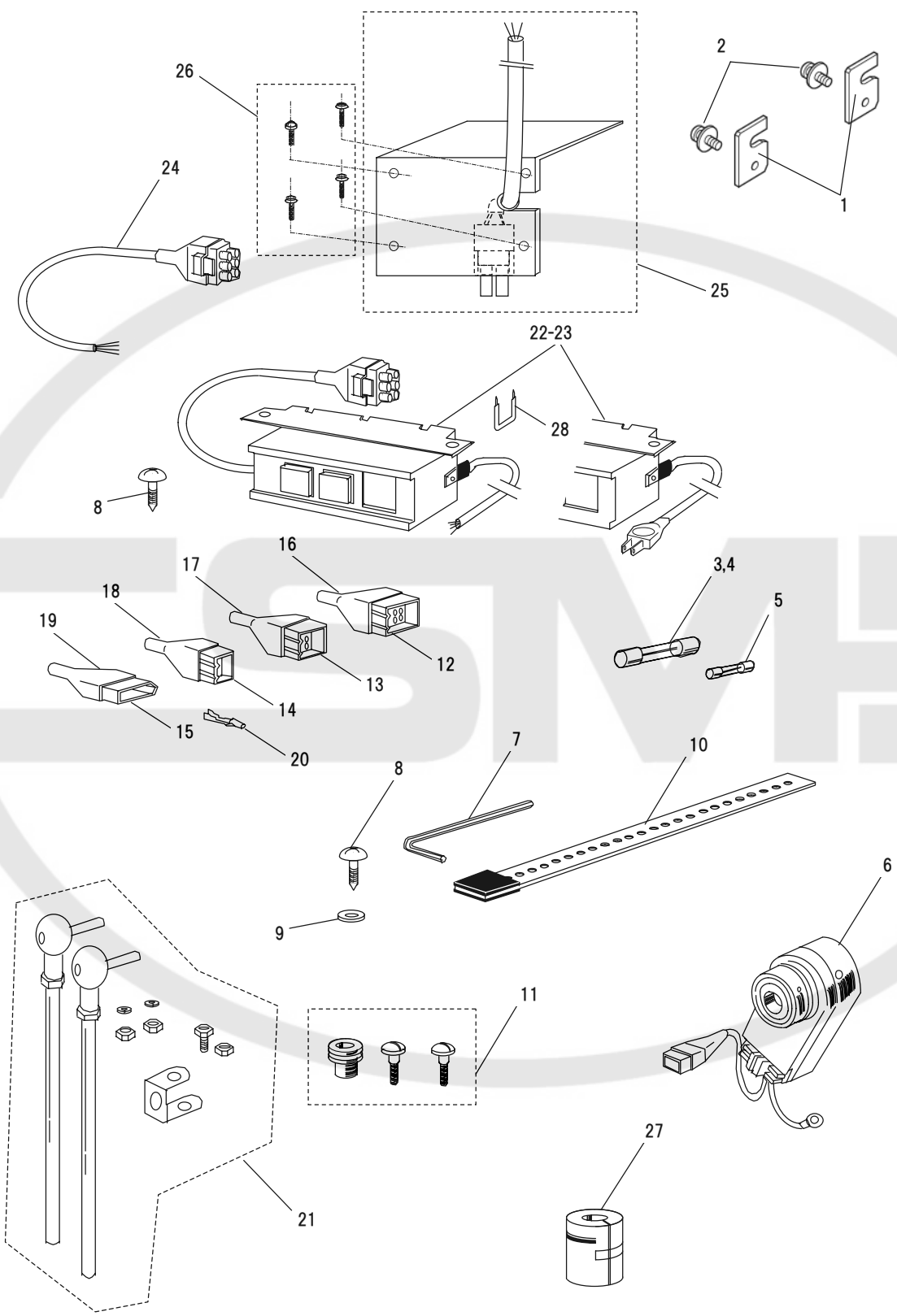


**F MAIN PARTS ON CIRCUIT BOARD (FOR DISPLAY BOARD)****XC-F1-1D**

Fig No.	Mod.	Parts.No.	Description	Amt.Reg.	XC-F1-1D
F1-5		K14M16621800	LED [LA-301VB]	5	
F6-12		K14M42200027	Switch [B3F-1020]	7	
F13-19		K14M16018100	Diode [1SS119FS]	7	



**M** ACCESSORY AND OPTION PARTS



**M ACCESSORY AND OPTION PARTS**

Fig No.	Mod.	Parts.No.	Description	Amt.Reg.		
				FMF	FMFY	FMFYCE
M1		K14M72251001	Mounting plate	2	2	2
M2		K14M90291980	Fit screw	6	6	6
M3		K14M46000040	Fuse 20A [250V-20A]	1	1	-
M4		K14M46000063	Fuse 15A [250V-15A (200-240V)]	-	-	1
M5		K14M46000067	Fuse 2.5A	1	1	1
M6		K14MXCKE01P0	Detector XC-KE-01P	1	(1)	-
M7		K14M94981101	Hexagon Spanner No.3	1	(1)	-
M8		K14S90810616	Wood Screw M4.1*16	2	(2)	-
M9		K14S91304004	Washer 4	2	(2)	-
M10		K14M40740800	Stopper Plate	1	(1)	-
M11		K14M09022805	Adapter	1	(1)	-
M12		K14M94319015	Connector (15P)	1	1	1
M13		K14M94319012	Connector (12P)	1	1	1
M14		K14M94319007	Connector (6P)	1	1	1
M15		K14M94319004	Connector (4P)	1	1	1
M16		K14M96822602	Nylon cap (15P)	1	1	1
M17		K14M96821809	Nylon cap (12P)	1	1	1
M18		K14M96821706	Nylon cap (6P)	1	1	1
M19		K14M96821704	Nylon cap (4P)	1	1	1
M20		K14M94319030	Terminal	10	10	10
M21		K14M09025580	Joint shaft	1	1	1
M22		K14M09035001	SW. assy. 1P 100V [Japan (Cap)]	(1)	(1)	-
M23		K14M09035002	SW. assy. 1P 120V [Asia (Cap)]	-	(1)	-
M23		K14M09035005	SW. assy. 1P 120V [USA (Strain relief)]	-	(1)	-
M23		K14M09043301	SW. assy. 1P 240V [Asia (Cap)]	-	(1)	-
M23		K14M09034901	SW. assy. 3P 200V [Japan (Cap)]	(1)	(1)	-
M24		K14M09034902	SW. assy. 3P 240V [Asia (Cap)]	-	(1)	-
M24		K14M09034903	SW. assy. 3P 240V [USA (Strain relief)]	-	(1)	-
M24		K14M09032381	Power supply connector cable (4 wires)	-	(1)	-
M25		K14M72229001	Power supply connector cable assy. (3 wires)	-	-	1
M26		K14M09042325	P-screw with SW & PW M4*8 set	-	-	1
M27		K14M09044602	Ferrite core	-	-	5
M28		K14M95610701	Staple	5	5	5



# N INDEX

Parts.No.	Page	Fig No.	Parts.No.	Page	Fig No.	Parts.No.	Page	Fig No.
K14M030A101K	P4	B14	K14M46000063	P10	E2-3	K14M73493602	P2	A26
K14M030A221K	P4	B14	K14M46000063	P14	M4	K14M73920134	P2	A34
K14M09022805	P14	M11	K14M46000067	P6	C19	K14M75946501	P2	A17
K14M09023108	P2	A43	K14M46000067	P8	D17	K14M76523101	P2	A21
K14M09025580	P14	M21	K14M46000067	P10	E18	K14M90291980	P14	M2
K14M09032381	P14	M24	K14M46000067	P14	M5	K14M90355001	P2	A24
K14M09034901	P14	M23	K14M46000068	P6	C5	K14M90451403	P2	A1
K14M09034902	P14	M24	K14M46000068	P8	D6	K14M91025401	P2	A42
K14M09034903	P14	M24	K14M46000068	P10	E7	K14M91490801	P2	A2
K14M09035001	P14	M22	K14M51212010	P2	A47	K14M92187501	P2	A6
K14M09035002	P14	M23	K14M51510301	P2	A22	K14M94319004	P14	M15
K14M09035005	P14	M23	K14M62400162	P6	C20	K14M94319007	P14	M14
K14M09042325	P14	M26	K14M62400162	P10	E19	K14M94319012	P14	M13
K14M09043301	P14	M23	K14M62400163	P8	D18	K14M94319015	P14	M12
K14M09044602	P14	M27	K14M70173004	P4	B9	K14M94319030	P14	M20
K14M09046202	P4	B27	K14M71237001	P4	B5	K14M94319501	P2	A28
K14M09046401	P2	A36	K14M71237101	P4	B6	K14M94981101	P14	M7
K14M10018500	P6	C9	K14M71259101	P4	B10	K14M95000027	P6	C43
K14M10018500	P10	E8	K14M71263001	P4	B11	K14M95000027	P8	D41
K14M10018600	P8	D7	K14M72073101	P4	B7	K14M95000027	P10	E42
K14M11000029	P6	C11-13	K14M72073102	P4	B8	K14M95000818	P6	C4
K14M11000029	P10	E10-12	K14M72204101	P4	B1	K14M95000818	P8	D3
K14M11000527	P8	D9-11	K14M72204201	P4	B2	K14M95000818	P10	E6
K14M15000040	P6	C27-29,31-35	K14M72204202	P4	B2	K14M95000826	P6	C44
K14M15000040	P8	D25-27,29-33	K14M72204203	P4	B2	K14M95000826	P8	D42
K14M15000040	P10	E26-28,30-34	K14M72204204	P4	B2	K14M95000826	P10	E43
K14M15000202	P6	C30	K14M72204205	P4	B2	K14M95000950	P6	C14
K14M15000202	P8	D28	K14M72208111	P4	B3	K14M95000950	P10	E13
K14M15000202	P10	E29	K14M72208211	P4	B12	K14M95001110	P6	C15-1
K14M15000216	P6	C17	K14M72226230	P4	B15	K14M95001110	P8	D13-1
K14M15000216	P10	E16	K14M72226830	P4	B13	K14M95001110	P10	E14-1
K14M15000218	P6	C26	K14M72229001	P14	M25	K14M95015800	P6	C15-2
K14M15000218	P8	D24	K14M72230201	P4	B20	K14M95015800	P8	D13-2
K14M15000218	P10	E25	K14M72239001	P4	B4	K14M95015800	P10	E14-2
K14M15000241	P8	D15	K14M72250101	P4	B18	K14M95064600	P6	C22
K14M15600150	P6	C16	K14M72251001	P14	M1	K14M95064600	P8	D20
K14M15600150	P10	E15	K14M72257201	P4	B16	K14M95064600	P10	E21
K14M15600151	P8	D14	K14M72269201	P4	B23	K14M95074100	P6	C1
K14M16018100	P12	F13-19	K14M72272001	P4	B17	K14M95074100	P8	D1
K14M16621800	P12	F1-5	K14M72275301	P4	B19	K14M95074100	P10	E1
K14M16900002	P6	C23-25	K14M72279201	P6	C38	K14M95610701	P14	M28
K14M16900002	P8	D21-23	K14M72279201	P8	D36	K14M96431584	P2	A15
K14M16900002	P10	E22-24	K14M72279201	P10	E37	K14M96812506	P2	A45
K14M16910900	P8	D4-5	K14M72279202	P6	C40	K14M96821704	P14	M19
K14M17233901	P2	A23	K14M72279202	P8	D38	K14M96821706	P14	M18
K14M20000001	P2	A44	K14M72279202	P10	E39	K14M96821809	P14	M17
K14M21000021	P6	C21	K14M72279203	P6	C39	K14M96822602	P14	M16
K14M21000021	P8	D19	K14M72279203	P8	D37	K14M96824404	P2	A27
K14M21000021	P10	E20	K14M72279203	P10	E38	K14M97899142	P2	A5
K14M21001188	P8	D16	K14M72279204	P6	C36	K14M97985401	P2	A13
K14M21001188	P10	E17	K14M72279204	P8	D34	K14M98501203	P2	A8
K14M21K01188	P6	C18	K14M72279204	P10	E35	K14M98501401	P2	A49
K14M38270044	P2	A39	K14M72279205	P6	C37	K14M98877701	P2	A46
K14M38270145	P2	A25	K14M72279205	P8	D35	K14MXCKE01P0	P14	M6
K14M40000079	P6	C10	K14M72279205	P10	E36	K14S18570243	P6	C6-8
K14M40000079	P8	D8	K14M72279206	P6	C41	K14S18570243	P10	E4,5
K14M40000079	P10	E9	K14M72279206	P8	D39	K14S46000040	P4	B21
K14M40740800	P14	M10	K14M72279206	P10	E40	K14S46000063	P4	B21
K14M42200027	P12	F6-12	K14M72279301	P6	C42	K14S46000067	P4	B22
K14M46000040	P6	C2,3	K14M72279301	P8	D40	K14S86202379	P2	A35
K14M46000040	P8	D2	K14M72279301	P10	E41	K14S86203379	P2	A38

**N INDEX**

Parts.No.	Page	Fig No.	Parts.No.	Page	Fig No.	Parts.No.	Page	Fig No.
K14S90203408	P2	A32						
K14S90203408	P4	B25						
K14S90203410	P2	A18						
K14S90203410	P4	B24						
K14S90353410	P2	A48						
K14S90363936	P2	A51						
K14S90704308	P2	A28						
K14S90721408	P2	A14						
K14S90741516	P2	A16						
K14S90751408	P2	A20,A30						
K14S90810616	P14	M8						
K14S91001005	P2	A52						
K14S91001006	P2	A41						
K14S91001008	P2	A4						
K14S91001010	P2	A9,A12						
K14S91068005	P2	A50						
K14S91304004	P14	M9						
K14S91304010	P2	A10						
K14S91321008	P2	A3						
K14S91321010	P2	A11,A40						
K14S92221090	P2	A7						
K14S92531413	P2	A37						
K14S93501305	P2	A29						
K14S94522003	P2	A19						
K14S94522004	P2	A31						
K14S95043726	P8	D12						

