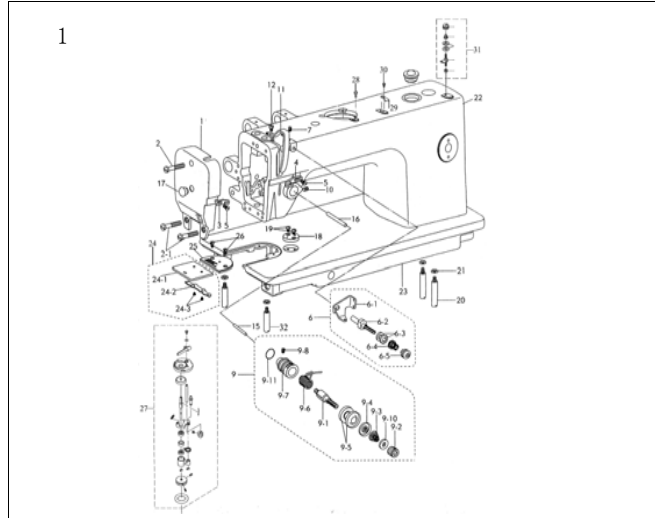


6380E系列

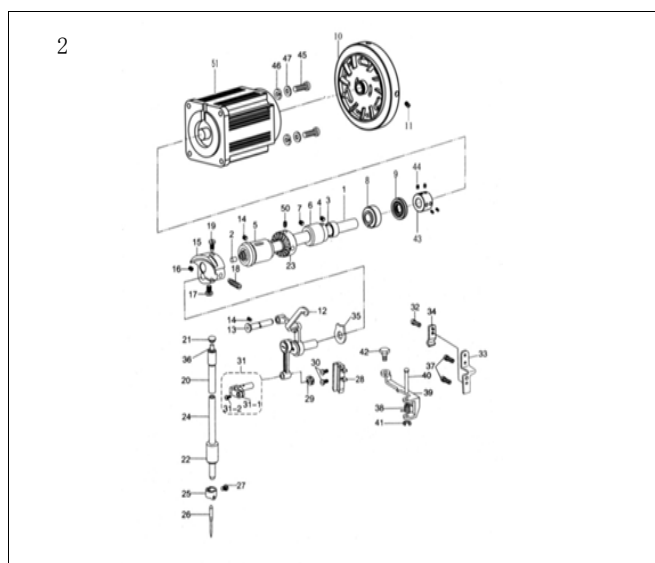
电脑厚料平缝机系列产品 Heavy duty computerized lockstitch sewing machine

零件手册 Parts Manual



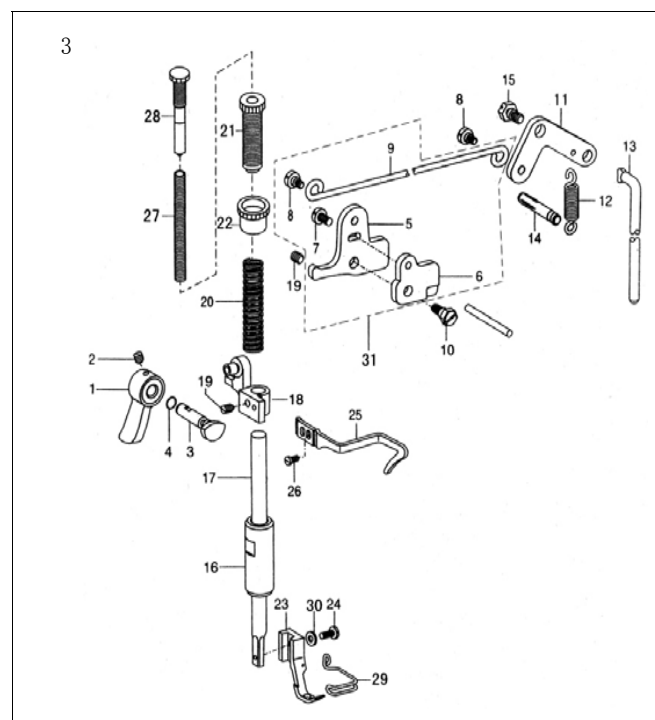
1. 机壳、外装组件/Machine frame & miscellaneous cover components

序号NO.	公司件号	Part NO.	名称 PartName	零件描述 Description	数量 Number
1	1330100		机壳	Part plate asm	1
2	201111025		机壳螺钉	Screw	1
2-1	13311047		机壳螺钉	Screw	2
3	13312003		机壳线勾	Arm thread guide	1
4	13313009		线勾	Arm thread guide	1
5	101311005		线勾螺钉	Screw	2
6	1331300100		小天线组件	ROBEIN THREAD TENSIONISM	1
6-1	13312005		小天线过线板	ROBEIN THREAD TENSION ROD	1
6-2	133130001		小天线螺钉	ROBEIN THREAD TENSION ROD	1
6-3	133130002		小天线板	ROBEIN THREAD TENSION DISK	2
6-4	13627001		小天线弹簧	CONNECTING ROD SPRING	1
6-5	101310016		小天线螺母	NUT	1
7	13315001		小天线固定螺钉	SCREW	1
9	136130000		天线组件	Thread tension asm	1
9-1	133130002		天线螺钉	Thread tension nut	1
9-2	101310001		天线螺母	tension nut	1
9-3	13327002		天线弹簧	Thread tension spring	1
9-4	13313004		松线板	disk stopper	1
9-5	13313005		松线板	Thread tension disk	2
9-6	13327003		挑线簧	takeup spring	1
9-7	13313006		天线调节螺母	Thread tension post base	1
9-8	101311005		天线螺母	Screw	1
9-10	13313008		天线螺母止动板	Tension disk stopper	1
9-11	901050		O型圈	Ring 14.5x1.5	1
10	133111001		天线调节固定螺钉	Screw	1
11	13312008		挑线杆调节螺母	Thread take-up lever cover	1
12	201111016		挑线杆护罩螺钉	Screw	1
15	13613001		松线钉	Thread release pin	1
16	13613002		松线钉	Thread release pin	1
17	13322001		橡皮塞(φ19)	Rubber plug φ19	1
18	10112002		卷边器	Ruler stop seat	1
19	101311002		螺钉	Screw	2
20	13323001		底座螺钉(尾部)	Bed screw stal(tail)	2
21	902004		弹簧垫圈	Spring washer	4
24-1	13313002		挑板	Slide plate	1
24-2	13312007		挑板簧	Slide plate spring	1
24-3	101311019		挑板螺钉	Screw	2
25	13313001		挑板	Throat plate	1
26	101317002		挑板螺母	Screw	2
27	1141100100		挑板基座	Ribbin window unit	1
28	174117003		挑板基座固定螺钉	Rubber plug φ12.5	3
29	11419001		切线刀	THREAD CUTTER	1
30	101411005		螺钉	SCREW	2
31	10131301000		挑线头连接件	ROBEIN THREAD TENSION ASM	1
32	13320010		挑线头固定螺钉	Bed screw stal(thread)	2



2. 上轴挑线组件/Main shaft & thread take-up components

序号NO.	公司件号	Part NO.	名称 PartName	零件描述 Description	数量 Number
1	13603010		上轴	Main shaft	1
2	10122012		上轴橡皮塞	Rubber plug	1
3	13309001		上轴领圈	Throat collar asm.	1
4	133150004		上轴紧固螺钉	Screw	2
5	13603001		上轴前轴套	Main shaft bushing, front	1
6	13303002		上轴中轴套	Brushing, intermediate	1
7	133150006		上轴中轴螺钉	Screw	1
8	13603017		上轴后套	Main shaft bushing, back	1
9	13322010		上轴后轴套油封组件	Main shaft	1
10	13603002		后轴套	SCREW	2
11	13303001		后轴套螺钉	Screw	2
12	13320003		挑线杆组件	Thread take-up asm	1
13	13320003		挑线杆过线轴	Thread take-up crank shaft	1
14	133150009		挑线杆过线轴螺钉	Screw	2
15	13304001		平衡重	Counterweight	1
16	13312001		挑线轴螺钉	Screw	1
17	101315007		挑线轴固定螺钉	Screw	1
18	101315004		平衡轴螺钉	Screw	1
19	13311002		平衡轴固定螺钉	Screw	1
20	13303006		针杆上衬套	Needle bar metal, upper	1
21	10122013		针杆上衬套橡皮塞(φ8.5)	Cap	1
22	13603003		针杆下衬套	Needle bar metal, lower	1
23	11410113		针杆轴	SPRING-WHEEL	1
24	13603002		针杆	Needle bar	1
25	13313011		针杆过线环	Needle bar thread guide	1
26	13317001		机针	Needle	1
27	101311006		机针螺钉	Screw	1
28	13609001		挑线槽	Needle bar trough	1
29	1149001		挑线头滑块	Slide block	1
30	101311008		挑线头螺钉	Screw	2
31	10138002		挑线头连接件	Needle bar connection	1
31-2	101311005		挑线头固定螺钉	Screw	1
32	101311009		挑线头螺母	Screw	1
33	13612001		挑线轴固定螺母	Locking nut	1
34	13612002		挑线轴	Rubber plate	1
35	13322001		挑线轴上轴套	Oil felt for needle bar	2
37	10111010		挑线轴固定螺钉	Screw	2
38	13617002		挑线轴簧	Retaining ring	1
39	13612003		挑线轴	SCREW	1
40	13620001		挑线轴	RETAINING RING	1
41	905014		挑线轴	SCREW	1
42	13612001		挑线轴	SCREW	1
43	13603018		挑线轴	SCREW	4
44	11410017		挑线轴	SCREW	4
45	11413001		挑线轴	SCREW	4
46			挑线轴	SCREW	4
47			挑线轴	SCREW	4
48	113514002		挑线轴	SCREW	2
51	1361300200		挑线轴	Motor (Q/Type) (D)	1

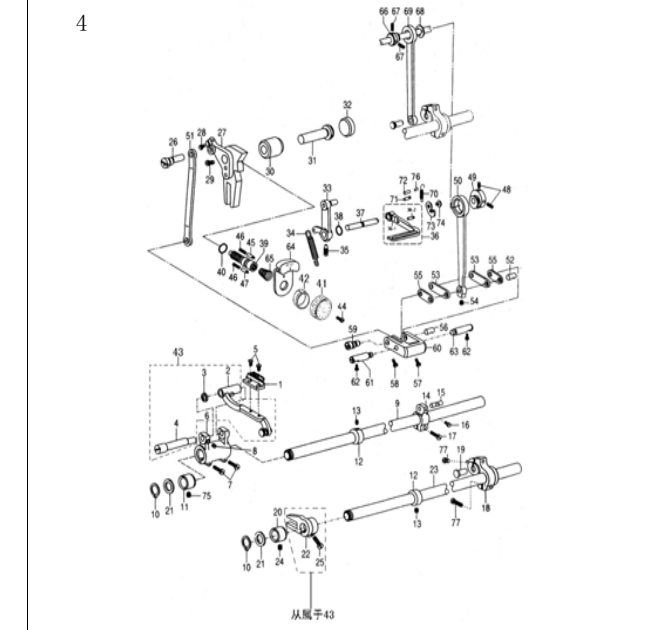


3. 压料组件/Presser bar components

序号NO.	公司件号	Part NO.	名称 PartName	零件描述 Description	数量 Number
1	13311005		压脚扳手	Presser bar lifter	1
2	13315017		压脚扳手螺钉	Set screw	1
3	13310004		压脚提升凸轮	Presser bar lifting cam	1
4	901009		压脚提升凸轮油封	O-ring	1
5	13312013		压脚提升杆(左)	Presser bar lifter (left)	1
6	13310005		压脚提升杆(右)	Presser bar lifter (right)	1
7	13311028		压脚提升杆(左)螺钉	Presser bar lifter (left) screw	1
8	13311027		压脚提升杆(右)螺钉	Presser bar lifter (right) screw	1
9	9012013		压脚提升杆	Presser bar lifter rod	1
10	13311028		压脚提升杆(左)螺钉	Presser bar lifter (left) screw	1
11	13312015		压脚提升杆(右)螺钉	Presser bar lifter (right) screw	1
12	13327010		压脚提升杆(右)弹簧	Presser bar spring	1
13	13312016		压脚提升杆	Presser bar connecting rod	1
14	13329005		压脚提升杆	Pin for spring	1
15	13312002		压脚提升杆(右)螺钉	Presser bar lifter (right) screw	1
16	13303013		压脚提升杆	Presser bar bushing	1
17	13302019		压脚提升杆	Presser bar	1
18	13305009		压脚提升杆	Presser bar lifting bracket	1
19	13315003		压脚提升杆	Set screw	1
20	13327011		压脚提升杆	Presser bar spring	1
21	133130004		压脚提升杆	Lock nut	1
22	13316003		压脚提升杆	Set screw	1
23	13310001		压脚提升杆	Presser bar complete	1
24	101311009		压脚提升杆	Screw	1
25	13313012		压脚提升杆	Upper thread guide	1
26	101311002		压脚提升杆	Screw	1
27	13303005		压脚提升杆	Auxiliary lock nut	1
28	13327012		压脚提升杆	Presser spring	1
29	13312017		压脚提升杆	Defend link off	1
30	13329007		压脚提升杆	Washer	1
31	1331201200		压脚提升杆	Presser bar lifter (left)	1

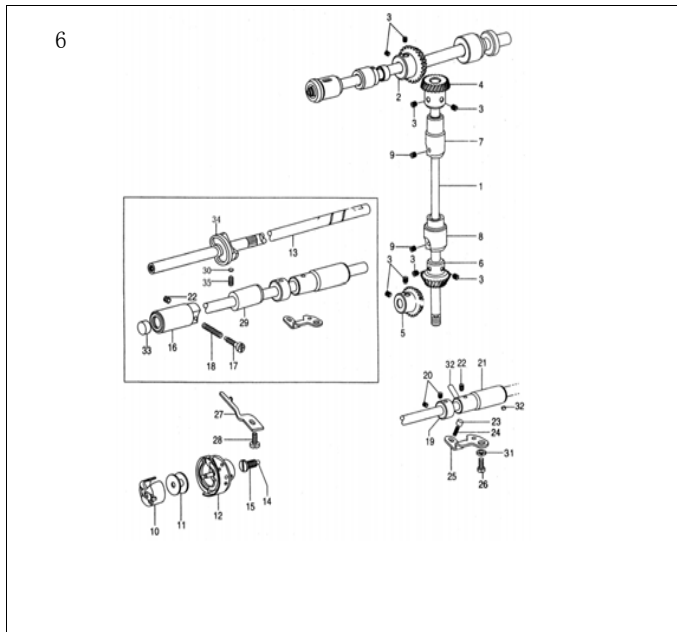
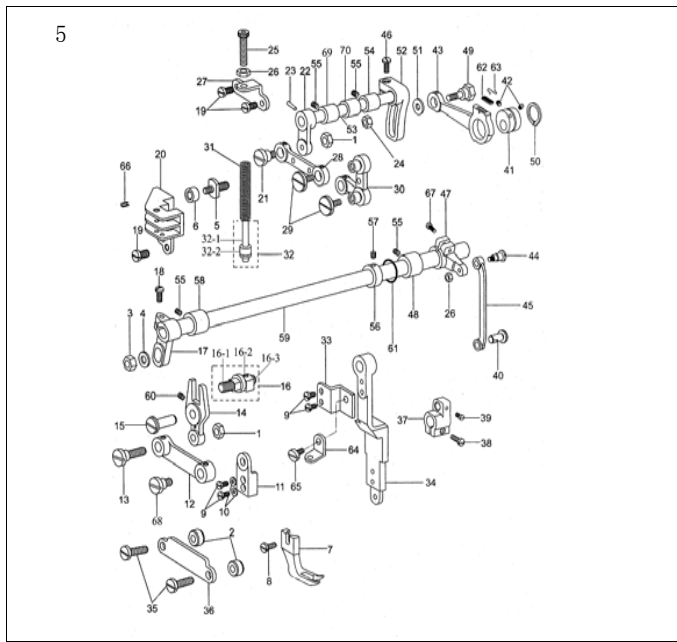
4. 送料组件/Feed mechanism components

序号NO.	公司件号	Part NO.	名称 PartName	零件描述 Description	数量 Number
1	13614001		送料牙	Feed dog	1
2	1330700300		送料架	Feed bar asm	1
3	13329004		送料架螺母	Nut	1
4	13302005		送料架轴套	Feed bar shaft	1
5	10131018		送料架螺钉	Screw	2
6	13304003		送料架轴套	Feed roller asm.	1
7	13311018		送料架轴套	Screw	2
8	101311008		送料架轴套	Feed roller bushing	1
9	13603003		送料架轴套	Feed roller shaft	1
10	903001		送料架轴套	Retaining ring	2
11	13603004		送料架轴套	Bushing for feed rock shaft(right)	1
12	13609001		送料架轴套	Feed roller shaft	1
13	133150004		送料架轴套	Screw	4
14	13304004		送料架轴套	Feed roller shaft crank arm	1
15	13329001		送料架轴套	Walking foot link	1
16	101311025		送料架轴套	Screw	1
17	101311019		送料架轴套	Feed lifting rock shaft crank(right)	1
18	13304005		送料架轴套	Hinge pin for feed regulator	1
19	13302009		送料架轴套	Bushing for feed rock shaft(right)	1
20	13303005		送料架轴套	Rubber	2
21	13329006		送料架轴套	Feed fork connection	1
22	13305004		送料架轴套	Feed lifting rock shaft	2
23	13602004		送料架轴套	Screw	2
24	133150009		送料架轴套	Feed regulator bushing	1
25	101311020		送料架轴套	Screw	1
26	13310002		送料架轴套	Hinge pin	1
27	13309003		送料架轴套	Feed regulator	1
28	101311020		送料架轴套	Screw	1
29	133111009		送料架轴套	Screw	1
30	13303012		送料架轴套	Feed regulator bushing	1
31	13302011		送料架轴套	Hinge pin for feed regulator	1
32	13620114		送料架轴套	Rubber plug(φ19.5)	1
33	133041008		送料架轴套	Slide block pin	1
34	13627008		送料架轴套	Spring for feed crank	1
35	13315014		送料架轴套	Screw	1
36	1360100500		送料架轴套	Reverse feed lever arm	1
36-1	13601005		送料架轴套	Reverse feed lever	2
36-2	13608002		送料架轴套	Hinge pin	1
37	13602005		送料架轴套	Reverse feed lever shaft	1
38	901045		送料架轴套	O-ring	1
39	13303003		送料架轴套	Feed regulator screw bar	1
40	901046		送料架轴套	O-ring	1
41	13311002		送料架轴套	Dial	1
42	1330700300		送料架轴套	Feed bar asm	1
43	101311022		送料架轴套	Dial screw	1
44	13329002		送料架轴套	Stopper pin	1
45	13327008		送料架轴套	Spring for stopper pin	2
46	13329004		送料架轴套	Dial stopper pin	1
47	133150007		送料架轴套	Feed drive eccentric cam	1
48	13310003		送料架轴套	Baker shaft connecting rod	1
49	13305005		送料架轴套	Baker shaft connecting rod	1
50	13305006		送料架轴套	Feed regulator connecting rod	1
51	13302014		送料架轴套	Walking foot link	4
52	13305013		送料架轴套	Walking foot pin	2
53	13305007		送料架轴套	Walking foot link	2
54	101311025		送料架轴套	Screw	1
55	13305008		送料架轴套	connecting link	2
56	13308003		送料架轴套	Walking foot link	1
57	101311012		送料架轴套	Screw	1
58	101311007		送料架轴套	Screw	1
59	13302015		送料架轴套	Hinge pin	1
60	13304007		送料架轴套	Walking foot adjusting link	1
61	13302016		送料架轴套	Adjusting link fulcrum shaft (左)	1
62	101311019		送料架轴套	Adjusting link fulcrum shaft (右)	1
63	13302017		送料架轴套	Adjusting link fulcrum shaft	1
64	13312011		送料架轴套	Feed regulator key-press	1
65	13327009		送料架轴套	Dial spring for stopper pin	1
66	13310001		送料架轴套	Feed drive eccentric cam	1
67	133150007		送料架轴套	Thrust collar	3
68	13329002		送料架轴套	Connecting rod	1
69	13304001		送料架轴套	Spring for feed crank	1
70	13627003		送料架轴套	Oil seal	1
71	13629005		送料架轴套	Needle	1
72	13629001		送料架轴套	Needle	1
73	13612004		送料架轴套	Reverse feed lever	1
74	136030001		送料架轴套	Screw	1
75	101311012		送料架轴套	Screw	1
76	1291005		送料架轴套	Bushing	1
77	101311027		送料架轴套	Feed roller shaft	1



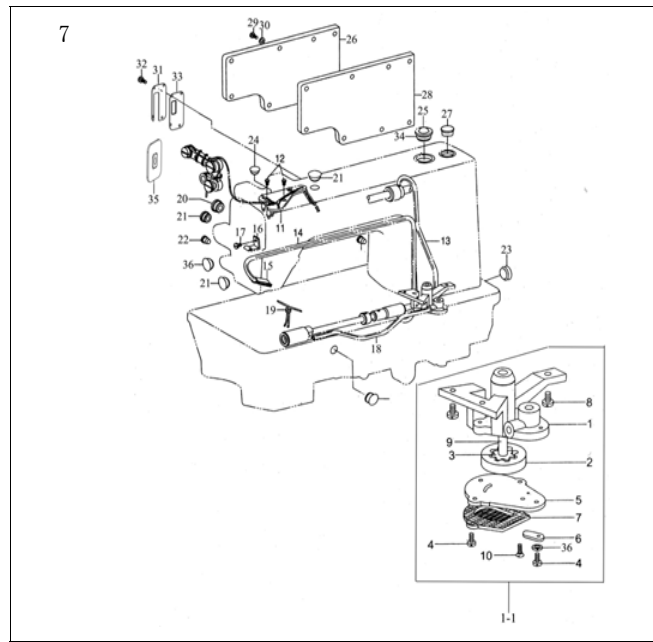
5. 送料组件/Feed mechanism components

序号NO.	公司件号	Part NO.	名称 PartName	零件描述 Description	数量 Number
1	133130004		送料架轴套	Nut	2
2	13309003		送料架轴套	Shaft	2
3	133130005		送料架轴套	Nut	1
4	901003		送料架轴套	Washer	1
5	133130006		送料架轴套	Guide shaft	1
6	13309004		送料架轴套	Needle of bearing	1
7	133140002		送料架轴套	Walking foot	1
8	13311030		送料架轴套	Screw	1
9	101311007		送料架轴套	Screw	4
10	902002		送料架轴套	Washer	1
11					



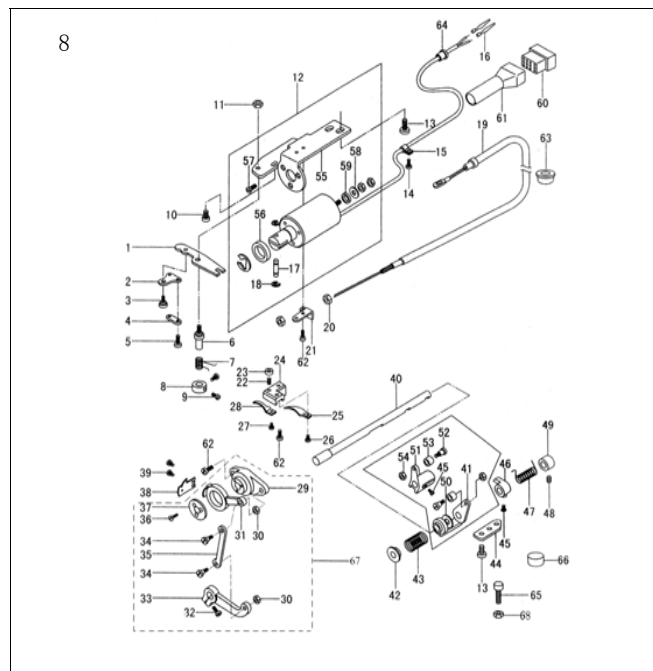
6. 钩件 Hook components

序号NO.	公司件号	Part NO.	名称PartName	零件描述Description	数量Number
1	13520002		转轴	Spring shaft	1
2	13520001		上轴伞齿轮	Gear asm.	1
3	101415007		螺钉	Screw	8
4	13520002		钩伞伞齿轮 (上)	Gear asm.	1
5	13520003		下轴伞齿轮	Pinion asm.	1
6	13520004		钩伞伞齿轮 (下)	Gear asm.	1
7	13520004		钩伞轴套 (上)	Bushing upper	1
8	13520004		钩伞轴套 (下)	Bushing lower	1
9	13520005		钩伞轴套 (左)	Bushing left	1
10	13520005		钩伞轴套 (右)	Bushing right	1
11	13520006		钩伞轴套 (左)	Bushing left	1
12	13520006		钩伞轴套 (右)	Bushing right	1
13	13520007		下轴驱动轴	Oil driving shaft	1
14	11423003		下轴油封	Oil seal	1
15	13520007		下轴油封套	Oil seal sleeve	1
16	13520008		下轴轴套	Bushing front	1
17	13520008		油封调节螺钉	Oil seal adjusting screw	1
18	13520009		油封调节弹簧	Spring	1
19	10108002		下轴衬套	Thrust collar asm.	1
20	101510112		下轴轴套 (左)	Bushing rear	2
21	13520009		下轴轴套 (右)	Bushing rear	2
22	13520010		柱塞	Plunger	1
23	13520010		柱塞弹簧	Plunger spring	1
24	13520011		导板	Guide plate	1
25	13520012		档板	Stopper	1
26	13520013		旋转定位螺钉	Rotating lock positioner	1
27	13520014		旋转定位螺钉	Rotating lock positioner	1
28	101510111		下轴中间套	Bushing middle	1
29	13520015		橡胶止挡螺钉垫片	Rubber	2
30	13520016		橡胶止挡螺钉垫片	Rubber	2
31	13520017		下轴轴套油封	Oil pipe for hook shaft bushing	1
32	13520018		下轴油封	Plunger	1
33	13520019		切线凸轮	Thread trimmer cam	1
34	13520020		切线凸轮螺钉	Screw	2



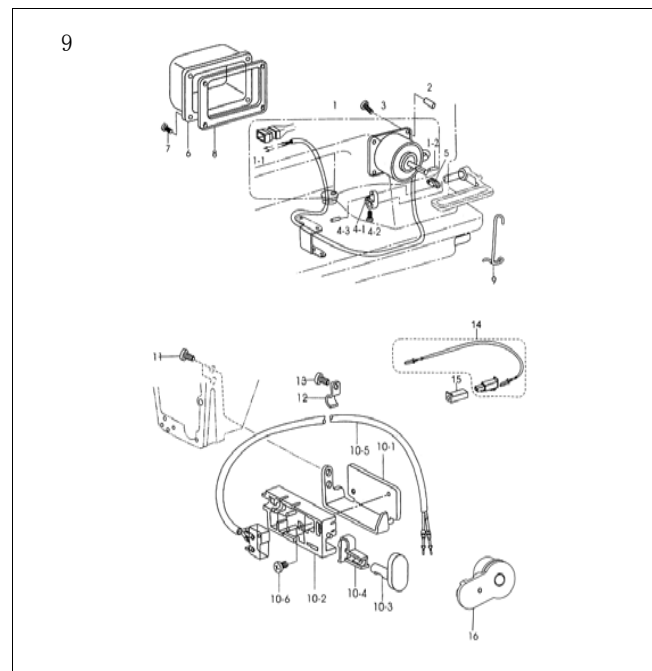
7. 润滑组件 Oil lubrication components

序号NO.	公司件号	Part NO.	名称PartName	零件描述Description	数量Number
1-1	135200200		油泵组件	Oil pump asm	1
1	13520001		油泵体	Oil pump	1
2	13520005		油泵大齿轮	Big gear for oil pump	1
3	13520006		油泵小齿轮	Small gear for oil pump	1
4	135210107		油泵调节螺钉	Adjusting screw for oil pump	3
5	13520021		油泵盖	Cover for oil pump	1
6	13520022		油泵调节板	Adjusting plate for oil pump	1
7	135200200		油泵滤网组件	Filter complete	1
8	105511019		油泵体螺钉	Screw	3
9	13520024		油泵体轴套	Shaft for oil pump	1
10	13520025		油泵体轴套	Shaft for oil pump	2
11	135200200		油泵体轴套	Shaft for oil pump	1
12	101511010		油泵体轴套	Shaft for oil pump	2
13	135210070		上轴油管组件	Oil pipe complete for upper shaft	1
14	13521001		回油管	Oil return pipe	1
15	13520003		回油管垫圈	Oil pipe gasket	1
16	13520025		回油管夹	Pipe return pipe clamp	1
17	101511014		回油管螺钉	Screw	1
18	135210010		下轴油管组件	Oil pipe for ara shaft	1
18-1	13521001		下轴油管	Oil pipe for shaft	1
18-2	13520001		下轴油管接头	Oil pipe joint	1
19	10423004		油毡	Oil wick	1
20	13520002		橡胶堵头 (Φ19)	Rubber plug (Φ19)	1
21	13520002		橡胶堵头 (Φ11.8)	Rubber plug (Φ11.8)	4
22	13520003		橡胶堵头 (Φ4.8)	Rubber plug (Φ4.8)	2
23	13520004		橡胶堵头 (Φ27)	Rubber plug (Φ27)	1
24	13520005		橡胶堵头 (Φ5.7)	Rubber plug (Φ5.7)	1
25	10110004		油窗	Oil sight window	1
26	13520002		后盖板	Side plate	1
27	13520008		橡胶堵头 (Φ25.5)	Rubber plug (Φ25.5)	1
28	13520006		后盖板密封垫片	Gasket	1
29	113511001		后盖板螺钉	Screw	8
30	10128003		后盖板密封垫片	Washer	8
31	13520008		小挡油板	Keep off plate	1
32	101511005		小挡油板螺钉	Screw	4
33	13520011		小挡油板垫圈	Gasket	1
34	10122019		油封衬套	O-ring	1
35	13520018		油封衬套	Rubber gasket	1
36	10128003		油封衬套	Sealing washer	1



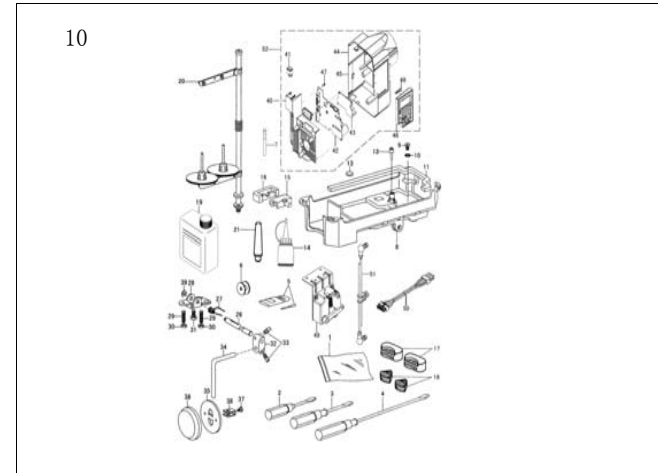
8. 切线装置部件 Thread trimmer components

序号NO.	公司件号	Part NO.	名称PartName	零件描述Description	数量Number
1	13520006		切线驱动轴	Thread trimmer driving lever	1
2	13520007		切线轴套	Adapter	1
3	13520001		切线轴套	Screw	1
4	13520001		切线轴套	Screw	1
5	13520001		切线轴套	Screw	1
6	13520007		切线轴套	Adapter	1
7	13520004		切线轴套	Adapter	1
8	10108004		切线轴套	Thrust collar asm	1
9	101511005		切线轴套	Screw	2
10	101511020		切线轴套	Screw	1
11	11010005		切线轴套	Nut	1
12	135200010		切线轴套	Thread electromagnet drive assembly	1
13	101511020		切线轴套	Screw	4
14			切线轴套	Clamp	1
15			切线轴套	Cable clip	1
16			切线轴套	Plug connector	2
17	13520005		切线轴套	Pin	1
18	101511012		切线轴套	Ring	1
19	135200200		切线轴套	Ring	1
20	135210010		切线轴套	Ring	1
21	13520009		切线轴套	Bracket for fixed blade	1
22	13520003		切线轴套	Screw	1
23	13520003		切线轴套	Screw	1
24	13520003		切线轴套	Screw	1
25	13520003		切线轴套	Screw	1
26	13520003		切线轴套	Screw	1
27	13520003		切线轴套	Screw	1
28	13520003		切线轴套	Screw	1
29	13520003		切线轴套	Screw	1
30	13520003		切线轴套	Screw	1
31	13520003		切线轴套	Screw	1
32	13520003		切线轴套	Screw	1
33	13520003		切线轴套	Screw	1
34	13520003		切线轴套	Screw	1
35	13520003		切线轴套	Screw	1
36	13520003		切线轴套	Screw	1
37	13520003		切线轴套	Screw	1
38	13520003		切线轴套	Screw	1
39	13520003		切线轴套	Screw	1
40	13520003		切线轴套	Screw	1
41	13520003		切线轴套	Screw	1
42	13520003		切线轴套	Screw	1
43	13520003		切线轴套	Screw	1
44	13520003		切线轴套	Screw	1
45	13520003		切线轴套	Screw	1
46	13520003		切线轴套	Screw	1
47	13520003		切线轴套	Screw	1
48	13520003		切线轴套	Screw	1
49	13520003		切线轴套	Screw	1
50	13520003		切线轴套	Screw	1
51	13520003		切线轴套	Screw	1
52	13520003		切线轴套	Screw	1
53	13520003		切线轴套	Screw	1
54	13520003		切线轴套	Screw	1
55	13520003		切线轴套	Screw	1
56	13520003		切线轴套	Screw	1
57	13520003		切线轴套	Screw	1
58	13520003		切线轴套	Screw	1
59	13520003		切线轴套	Screw	1
60	13520003		切线轴套	Screw	1
61	13520003		切线轴套	Screw	1
62	13520003		切线轴套	Screw	1
63	13520003		切线轴套	Screw	1
64	13520003		切线轴套	Screw	1
65	13520003		切线轴套	Screw	1
66	13520003		切线轴套	Screw	1



9. 自动倒送料开关组件 Automatic reverse feed components

序号NO.	公司件号	Part NO.	名称PartName	零件描述Description	数量Number
1	135200050		倒送料开关组件	Automatic reverse feed assembly	1
1-1	13520006		插头	Plug	2
1-2	13520007		倒送料电磁铁连杆	Backlash electromagnet link pin	1
2	13520011		衬套	Bush	4
3	13520005		倒送料电磁铁连杆	Backlash electromagnet link pin	4
4	135200050		倒送料电磁铁连杆	Backlash electromagnet link pin	1
4-1	13520004		倒送料电磁铁连杆	Backlash electromagnet link pin	1
4-2	13520002		倒送料电磁铁连杆	Backlash electromagnet link pin	1
4-3	13520006		倒送料电磁铁连杆	Backlash electromagnet link pin	1
5	13520002		倒送料电磁铁连杆	Backlash electromagnet link pin	1
6	13520012		倒送料电磁铁连杆	Backlash electromagnet link pin	1
7	101511011		倒送料电磁铁连杆	Backlash electromagnet link pin	4
8	13520009		倒送料电磁铁连杆	Backlash electromagnet link pin	1
9	13520007		倒送料电磁铁连杆	Backlash electromagnet link pin	1
10	135200010		倒送料电磁铁连杆	Backlash electromagnet link pin	1
10-1	13520013		倒送料电磁铁连杆	Backlash electromagnet link pin	1
10-2	13520013		倒送料电磁铁连杆	Backlash electromagnet link pin	1
10-3	13520013		倒送料电磁铁连杆	Backlash electromagnet link pin	1
10-4	13520014		倒送料电磁铁连杆	Backlash electromagnet link pin	1
10-5	13520014		倒送料电磁铁连杆	Backlash electromagnet link pin	1
10-6	13520014		倒送料电磁铁连杆	Backlash electromagnet link pin	1
11	10141004		开关安装螺钉	Screw	1
12			塑料夹	Clamp	3
13	101511002		塑料夹	Screw	1
14			安全开关	Fuse switch	1
15			插头 (2)	Plug	1
16	135200100		插头 (2)	Plug	1



10. 机头附件 Machine head accessories

序号NO.	公司件号	Part NO.	名称PartName	零件描述Description	数量Number
1	10131017		机头盖	Machine head cover	1
2	10131004		螺钉起子 (小)	Screw driver (small)	1
3	10131003		螺钉起子 (中)	Screw driver (middle)	1
4	10131002		螺钉起子 (大)	Screw driver (large)	1
5	10131001		螺母	Nut	4
6	10131001		机头	Head	1
7	11212001		过线柱	Needle bar crank	1
8	10131007		油盘	Oil reservoir	1
9	135511041		汽油螺钉	Screw	1
10	1010407		汽油螺钉	Washer	1
11	13520006		油盘垫圈	Gasket	1
12	13511006		脚踏提升杆	Knee press lifter rod	1
13	10131001		磁块	Magnet	1
14	10131008		小油壶	Oil pot	1
15	10122000		机壳胶圈	Rubber coat	2
16	10131010		机壳胶圈	Ring	2
17	10131002		机壳前盖垫圈 (大)	Gasket (big)	2
18	10131002		机壳前盖垫圈 (小)	Gasket (small)	1
19	10131010		油盘	Oil tank	1
20	10131007		油盘组件	Spool stand complete	1
21	10131011		机壳支柱	Frame support bar	1
26	13520025		脚踏提升杆	Hinge pin	1
27	13520014		脚踏提升杆	Spring	1
28	13512006		脚踏提升杆	Knee lifter stop bracket	1
29	13551019		脚踏提升杆	Screw	2
30	1010209		脚踏提升杆	Nut	2
31	135512003		脚踏提升杆	Screw	1
32	10101008		脚踏提升杆	Connector	1
33	101312003		脚踏提升杆	Screw	2
34	10131028		脚踏提升杆	Post rod	1
35	10131029		脚踏提升杆	Bush	1
36	10131030		脚踏提升杆	Bell bracket	1
37	101412004		脚踏提升杆	Screw	1
38	10122004		脚踏提升杆	Pat	1
39	1050011		脚踏提升杆	Split stop ring	1
40			脚踏提升杆	Heat sink	1
41			脚踏提升杆	Electric control switch	1
42			脚踏提升杆	Circuit board	1
43			脚踏提升杆	Small circuit board	1
44			脚踏提升杆	The motor housing	1
45			脚踏提升杆	The side cover	1
46			脚踏提升杆	Operation panel	1
47			脚踏提升杆	Electric connecting screws	6
48			脚踏提升杆	Electric control switch	3
49			脚踏提升杆	Electric control switch	1
50			脚踏提升杆	The power cord	1
51			脚踏提升杆	Foot connecting rod	1
52	135200100		脚踏提升杆	Function with electronic	1
53	135200100		脚踏提升杆	Machine electric control	1
54	135200100		脚踏提升杆	Electric connecting screws	1

杰士隆科技股份有限公司
 公司地址: 台州市椒江区机场南路十五号
 邮编: 318000
 国内销售部:
 电话: 0086-576-88177788 88177789
 传真: 0086-576-88177758
 国贸部:
 电话: 0086-576-88177782 88177774
 传真: 0086-576-8817778