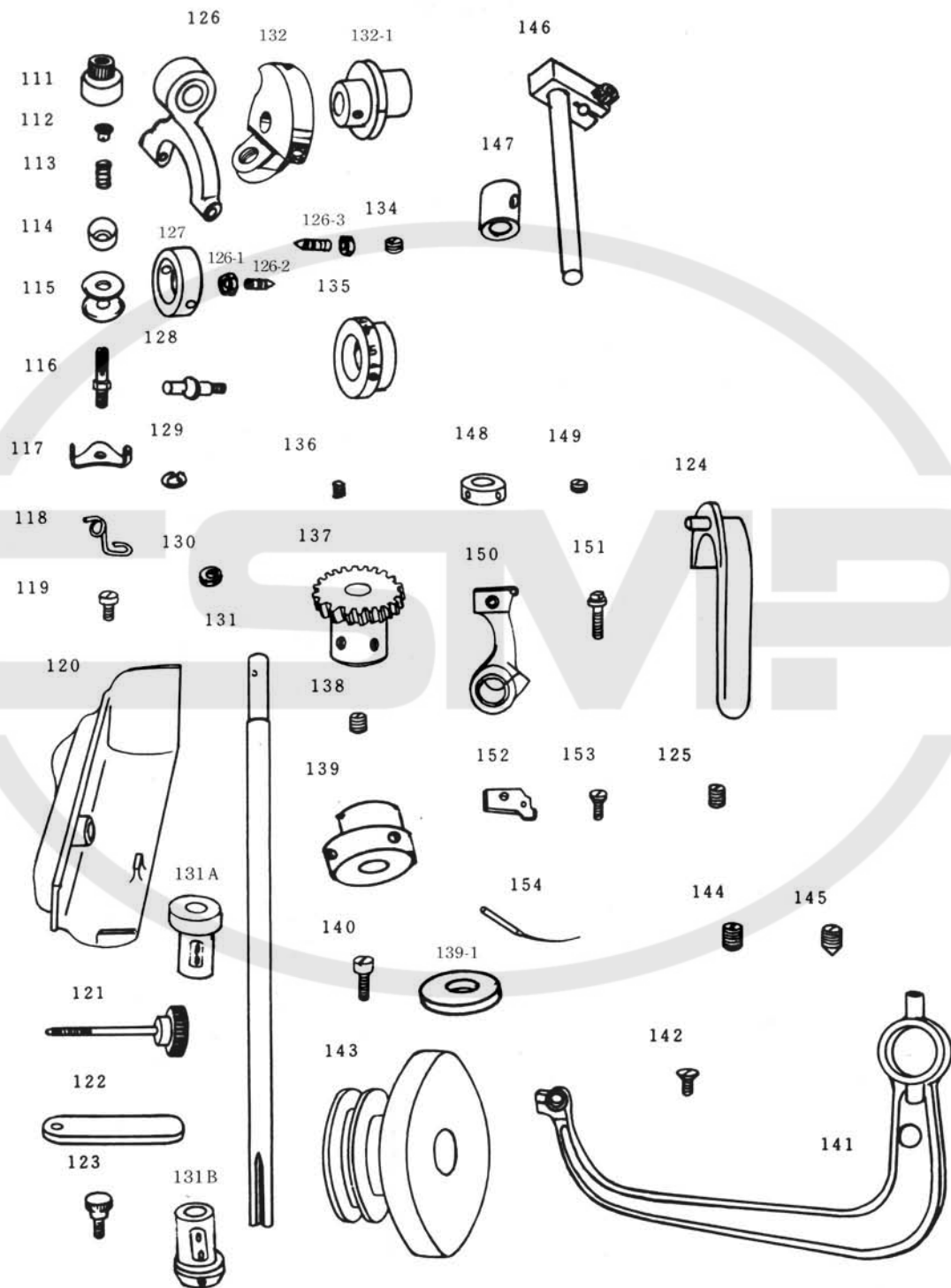
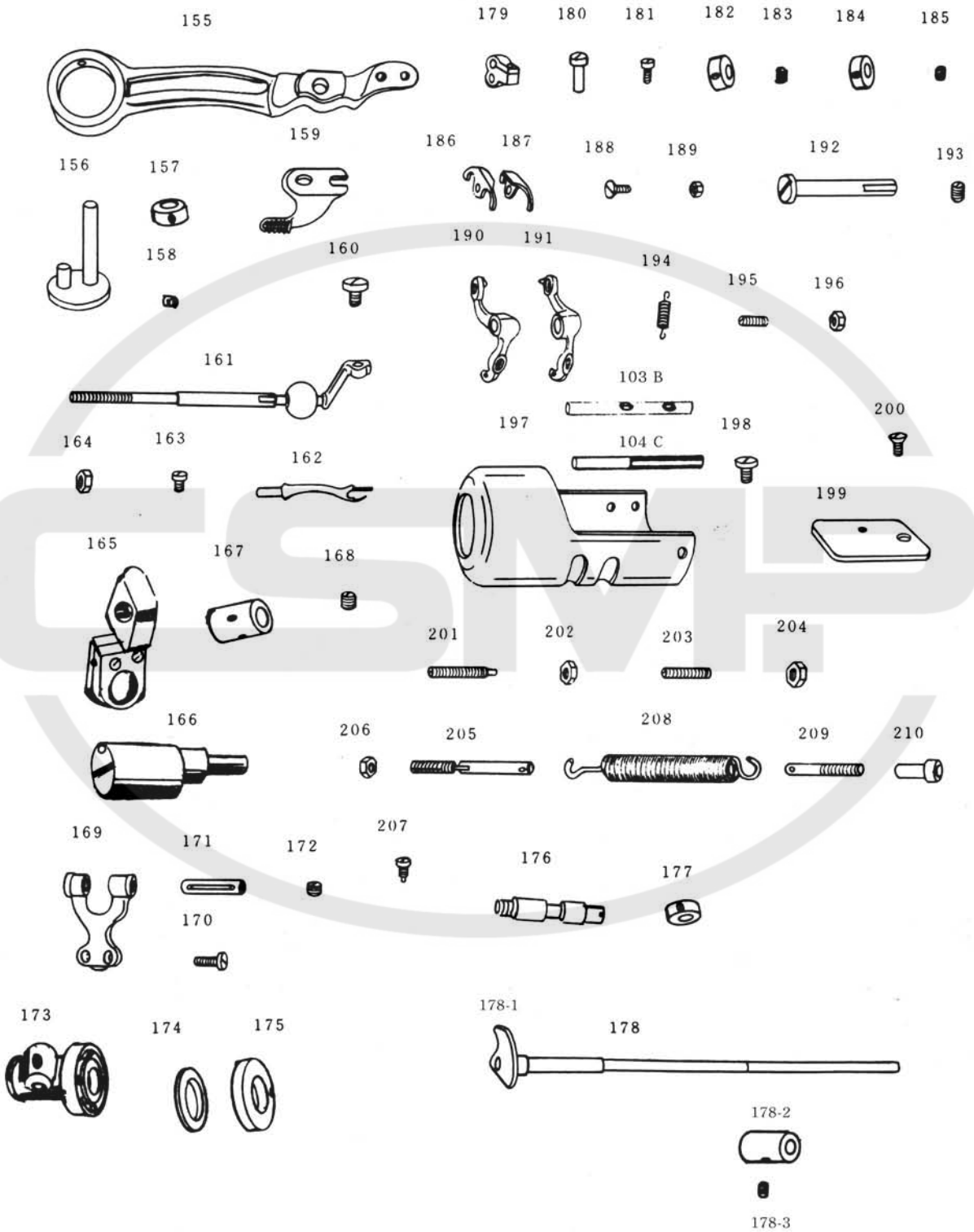


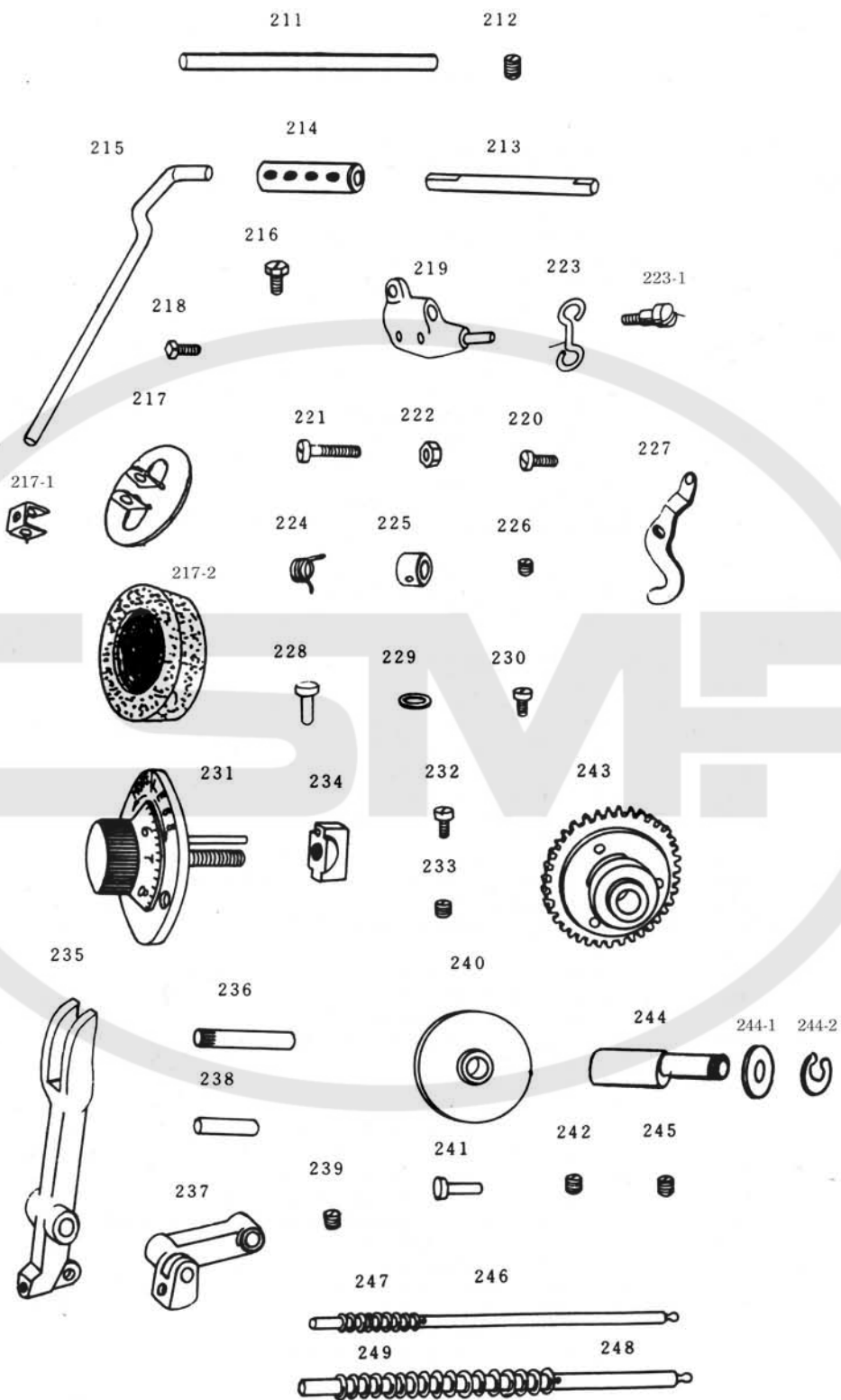
# < PARTS LIST >



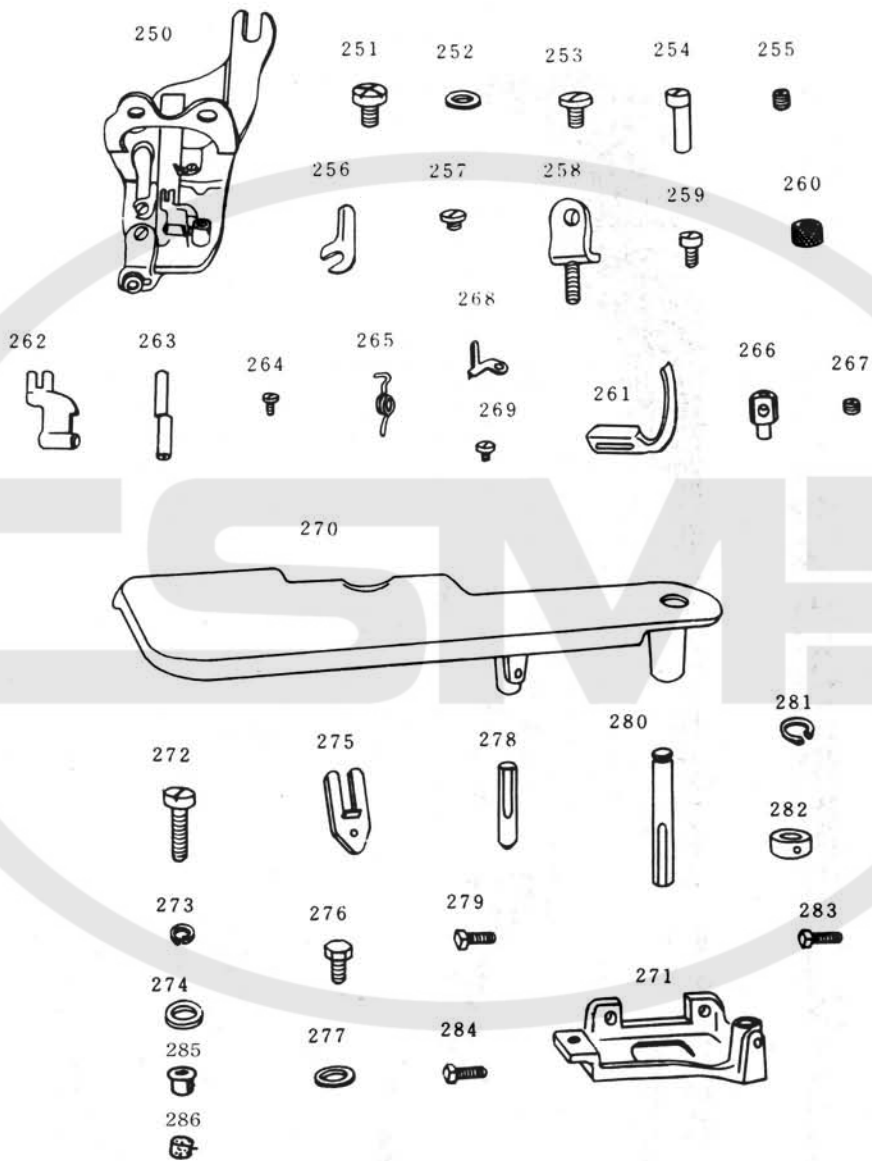
PART NO.	DESCRIPTION
111	Thread Tension Nut
112	Ratchet
113	Spring
114	Cover
115	Tension Discs
116	Tension Post
117	Thread Guide
118	Front Thread Guide
119	Screw-Front Thread Guide Attaching
120	Side Cover
121	Screw-Side Cover Attaching
122	Cover Plate
123	Screw-Cover Plate Attaching
124	Belt Guard
125	Screw-Belt Guard Set
126	Needle Shaft Connection
127	Screw-Needle Connection
128	Eccentric Ball Stud
129	Eccentric Ball Guard
130	Screw-Eccentric Ball Guard Attaching
131	Main Shaft
132	Needle and Feed Eccentric
133	Screw-(Cone Point) Feed Eccentric Set
134	Screw-(Flat) Eccentric Set-Lock
135	Stitch Regulating Collar
136	Screw-Stitch Regulating Collar-Clamp
137	Gear-Skip Stitch Drive
138	Screw-Skip Stitch Drive Gear Set
139	Rib Connection Eccentric
140	Screw-Rib Lever Eccentric Lock
141	Rib Connection Lever
142	Screw-Rib Connecting Lever Clamp
143	Hand Wheel
144	Screw-Handwheel Set (Cup Point)
145	Screw-Handwheel Set (Cone Point)
146	Needle Shaft
147	Screw-Needle Shaft Clamp
148	Collar-Needle Shaft
149	Screw-Needle Shaft Collar Set
150	Needle Lever
151	Screw-Needle Lever Clamp
152	Needle Clamp
153	Screw-Needle Clamp Attaching
154	Needle



PART NO.	DESCRIPTION
155	Feed Lever
156	Rocker Pin Assembly
157	Collar-Rocker Pin
158	Screw-Rocker Pin Collar-Clamp
159	Feed Dog
160	Screw-Feed Dog-Attaching
161	Looper Rod
162	Looper
163	Screw-Looper Clamp
164	Nut-Looper Rod-Lock
165	Looper Rod Carrier
166	Stud-Looper Rod Carrier
167	Eccentric Block
168	Screw-Eccentric Block-Set
169	Looper Rod Fork
170	Screw-Looper Rod Fork-Clamp
171	Looper Rod Fork Pin
172	Screw-Looper Rod Fork Pin-Set
173	Bearing Case
174	Bearing
175	Retaining Ring-Bearing
176	Stud-Looper Rod Sleeve
177	Nut-Looper Rod Sleeve Stud
178	Rib Shaft
179	Crank-Rib Shaft
180	Stud-Rib Shaft Crank
181	Screw-Rib Shaft Crank-Clamp
182	Rib Shaft Collar-Left
183	Screw-Rib Shaft Collar-Clamp
184	Rib Shaft Collar-Right
185	Screw-Rib Shaft Collar-Clamp
186	Platten-Left
187	Platten-Right
188	Screw-Platten to Bracket-Attaching
189	Nut-Platten to Bracket Attaching Screw
190	Platten Bracket-Left
191	Platten Bracket-Right
192	Stud-Platten Bracket Pivot
193	Screw-Platten Bracket Pivot Stud-Set
194	Spring-Platten Bracket
195	Screw-Platten Bracket-Limit
196	Nut-Platten Bracket Limit Screw-Lock
197	Cylinder
198	Screw-Cylinder Attaching
199	Window Plate
200	Screw-Window Plate Attaching
201	Screw-Feed Frame-Limit
202	Nut-Feed Frame Limit Screw-Lock
203	Screw-Skip Stitch Compensating
204	Nut-Skip Stitch Compensating Screw-Lock
205	Spring Link Assembly
206	Nut-Spring Link Assembly-Retaining
207	Screw-Spring Link-Locating
208	Main Spring
209	Link Screw-Main Spring
210	Nut-Main Spring Adjusting



PART NO.	DESCRIPTION
211	Shaft-Feed Frame Rocker
212	Screw-Feed Frame Shaft-Set
213	Knee Lifter Rod Shaft
214	Knee Lifter Rod Sleeve
215	Knee Lifter Rod
216	Knee Lifter Rod Sleeve Screw
217	Knee Pedal
218	Screw-Knee Pedal-Lock
219	Lift Arm
220	Screw-Lift Arm Clamp
221	Screw-Lift Arm Limit
222	Nut-Lift Arm Limit Screw-Lock
223	Knee Lifter Stop Bracket Hook
224	Spring-Knee Lifter Rod-Return
225	Collar-Knee Lifter Rod
226	Screw-Knee Lifter Rod Collar-Set
227	Lever-Skip Regulating
228	Stud-Skip Regulating Lever
229	Spring Washer-Skip Regulating Lever Stud
230	Screw-Skip Regulating Lever Stud-Lock
231	Regulating Dial Assembly
232	Screw-Regulating Dial Assembly Attaching
233	Screw-Dial & Ratchet Assembly-Lock
234	Regulating Dial Shoe
235	Regulating Fork
236	Pin-regulating Fork-Pivot
237	Support Arm-Cam Roller
238	Pin-Roller Support Arm-Pivot
239	Screw-Roller Support Arm Pivot Pin-Set
240	Cam Roller
241	Pin-Cam Roller-Support
242	Screw-Cam Roller Support Pin-Set
243	Skip Eccentric Gear Assembly
244	Carrier Stud-Skip Eccentric Gear
245	Screw-Skip Eccentric Gear Carrier Stud-Set
246	Push Rod (1/4")
247	Spring-Push Rod (1/4")
248	Push Rod (3/8")
249	Spring-Push Rod (3/8")



PART NO.	DESCRIPTION
250	Complete Presserfoot Assembly
251	Screw-Presserfoot Clamp
252	Washer-Presserfoot Clamp Screw
253	Screw-Presserfoot Bridge
254	Eccentric Pin
255	Screw-Eccentric Pin Set
256	Needle Guide
257	Screw-Needle Guide-Attaching
258	Holder-Front Guide
259	Screw-Front Guide Holder-Attaching
260	Nut-Front Guide Clamp
261	Front Guide
262	Shoe-Presser Foot
263	Pivot Pin-Presserfoot Shoe
264	Screw-Pivot Pin
265	Spring-Presserfoot Shoe
266	Shoe Post
267	Screw-Presserfoot Shoe Pivot Pin-Set
268	Chain-Off Pin
269	Screw-Chain-Off Pin Clamp
270	Swing Plate
271	Bracket-Swing Plate-Support
272	Screw-Swing Plate Support Bracket-Attaching
273	Washer (Lock)-Swing Plate Supp't.Brkt.Screw
274	Washer (Flat)-Swing Plate Supp't.Brkt.Screw
275	Stop Plate
276	Screw-Stop Plate Attaching
277	Wash-Stop Plate Attaching Screw
278	Stop Pin Assembly
279	Screw-Stop Pin-Lock
280	Pivot Pin -Swing Plate
281	Retaining Ring-Swing Plate Pivot Pin
282	Collar-Swing Plate Pivot Pin
283	Screw-Swing Plate Pivot Pin Collar-Set
284	Screw-Swing Plate Pivot Pin-Lock



