

Be sure to read these instructions

JUKI®

MEB-3200

Precautions to protect against accidents resulting in personal injury or death

No.00
40098365

The **gas spring** which is a safety device to help reduce the sewing machine weight can lose its function by inappropriate maintenance work, etc.

In the case the gas spring does not function properly, the **raised machine can drop** by carrying out **threading of the machine with looper thread**, or **adding of oil to the oil tank**, inviting a risk of accidents resulting in personal injury or death.

To protect against such accidents, be sure to read this "Precautions to protect against accidents resulting in personal injury or death" carefully. In addition, be sure to stop using the sewing machine if the gas spring does not function properly and **replace the gas spring with a new one immediately**.

Explanation of the pictorial indications



Represents the action that is "prohibited"

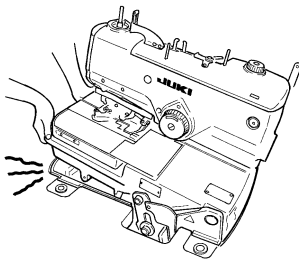


Represents the "instruction" that has to be carried out without exceptions



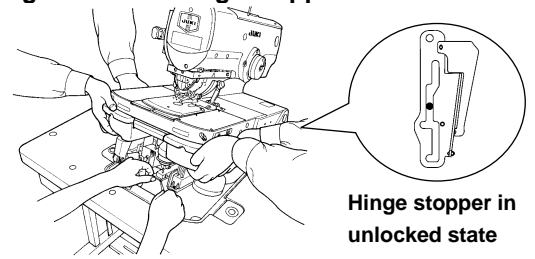
DANGER: Never carry out operations described below. If you do any of the following operations, human body including hands, fingers or arms can be caught in the machine, resulting in serious injuries such as finger severing in the worst case.

Never lift up the sewing machine alone if it is too heavy for you.



In this state, the gas spring has outgassed resulting in functional decline. Replace the gas spring with a new one immediately.

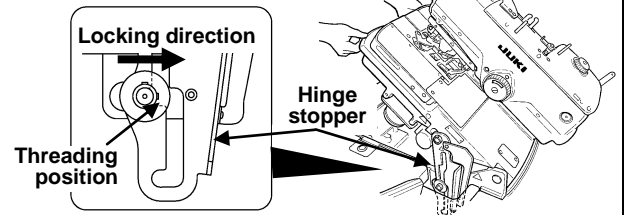
Do not support the sewing machine by hand without having locked the hinge stopper.



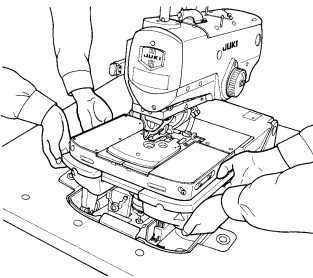
Hinge stopper in unlocked state



Be sure to lift up the sewing machine until the hinge stopper is locked at the threading position to secure the sewing machine.

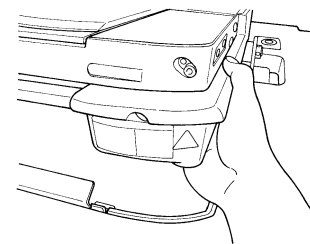


Never raise/lower the sewing machine by two or more workers.

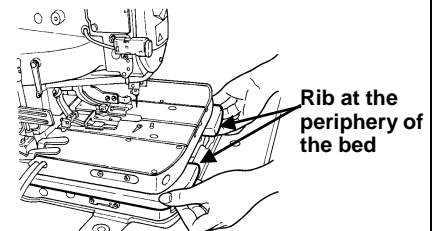


If raising/lowering the sewing machine by two or more workers, the risk that the workers' bodies such as a hand, finger or arm are caught in the machine will increase. If the sewing machine is too heavy for one worker to carry out the work alone, the gas spring should be replaced with a new one to restore the gas spring to the normal state.

Never hold the side face of the bed when raising/lowering the sewing machine.



Be sure to hold the near side rib at the periphery of the bed.

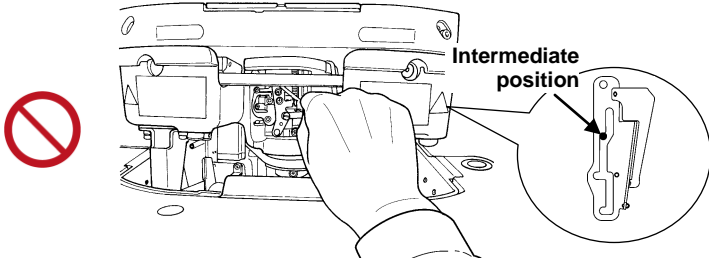




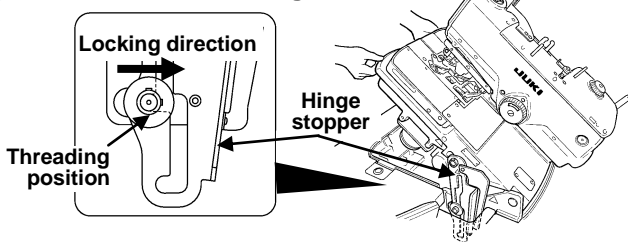
DANGER: Never carry out operations described below. If you do any of the following operations, human body including hands, fingers or arms can be caught in the machine, resulting in serious injuries such as finger severing in the worst case.

Never thread the sewing machine with the hinge stopper placed at **its intermediate position.**

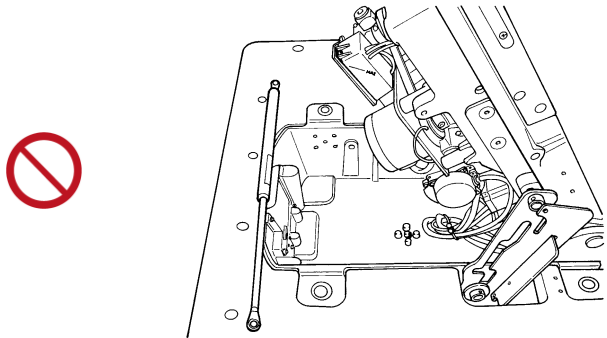
* At its intermediate position, the hinge stopper works as the sewing-machine drop preventive stopper. So, the machine should not be threaded with the hinge stopper placed at its intermediate position.



Be sure to lift up the sewing machine until the hinge stopper is locked at the **threading position** to secure the sewing machine.



Never use the sewing machine **with the gas spring removed.**



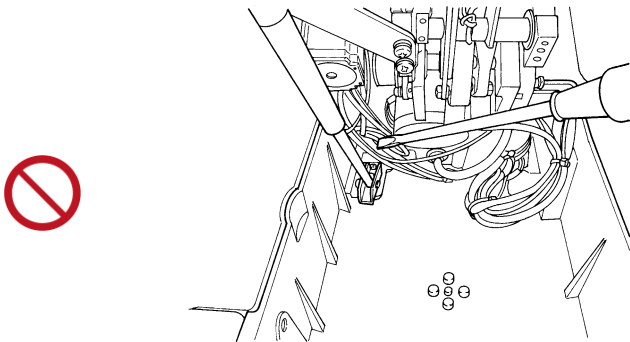
Be sure to check the function of the gas spring periodically. If any functional decline of the gas spring is detected, be sure to replace it with a normal one before using the sewing machine.



WARNING: Be sure to observe the following instructions in order to prevent trapping accidents caused by functionally-declined gas spring which can result in serious personal injury to hands, fingers or arms.

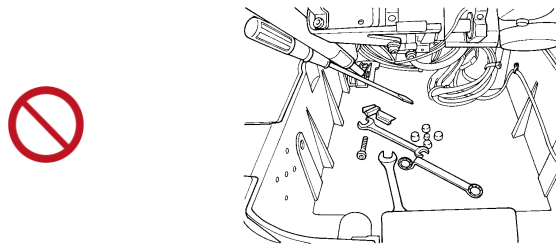
Do not damage the gas spring with a tool or part.

* Even slight damage on the gas spring can cause gas leakage, making the gas spring nonfunctional.



Do not return the sewing machine **to its home position with a tool or part placed** inside the bottom cover.

* Any tool or part remaining in the bottom cover can damage the gas spring to cause gas leakage.

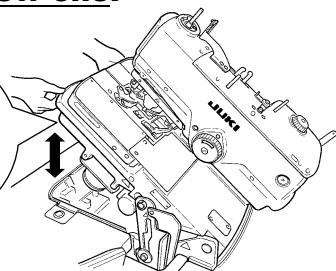


Be sure to make sure that there is no tool or part inside the bottom cover before returning the sewing machine to its home position.



Whenever you find that the gas spring does not move or function normally, **replace the gas spring with a new one.**

When you feel that the sewing machine is heavier than usual and does not move smoothly as if it is caught on something.



Never use any gas spring other than JUKI's genuine one.

● Refer to the "CAUTIONS REGARDING THE GAS SPRING OF MEB-3200" supplied with the unit for the reference time of replacement and the replacement procedure of the gas spring.

● To replace the gas spring, be sure to order JUKI's genuine gas spring.

JUKI[®]

JUKI CORPORATION

INDUSTRIAL SEWING MACHINE DIVISION

Copyright © 2010 JUKI CORPORATION
All rights reserved throughout the world.

* The description covered in this precautions to protect against accidents resulting in personal injury or death is subject to change for improvement of the commodity without notice.