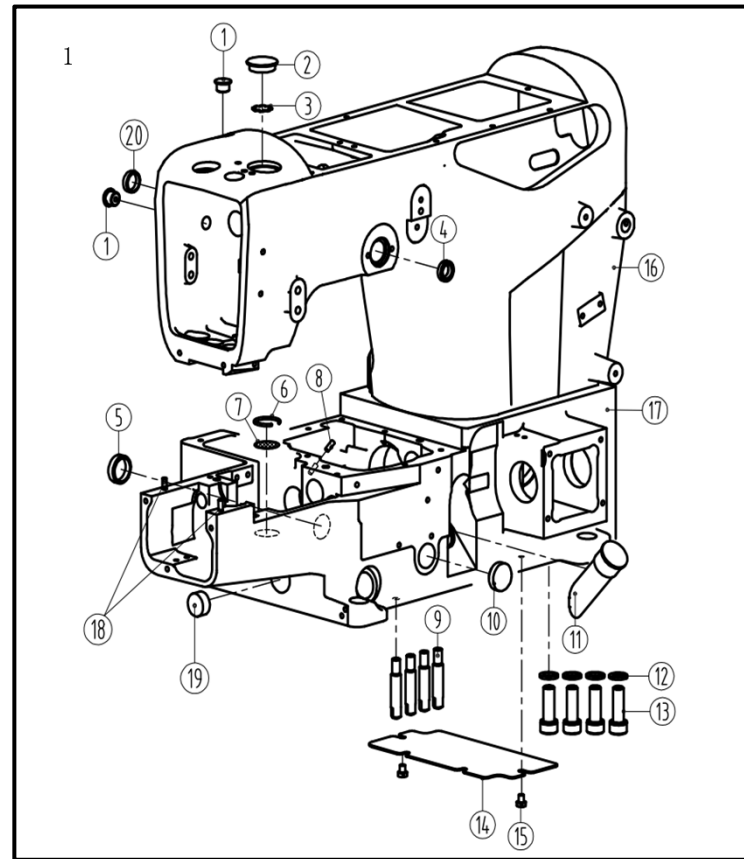


套筒部件/Bushing assemblies

序号 No.	件号 Parts No.	参考件号 Ref. Part. No.	名称	Description	数量 Number
1	31003002		拍压轴套筒	sleeve	1
2	31013106	210297	过线皮轴套筒	sleeve	1
3	31013106	210297	过线皮轴套筒	sleeve	1
4	20103047	250141	送布轴套	sleeve	1
5	20103047	250141	送布轴套	sleeve	1
6	30203004	250146	针杆上套	sleeve	1
7	30203005	251003	针杆下套	sleeve	1
8	30203024	250147	压脚轴套	sleeve	1
9	30203025	250136	喂针轴套	sleeve	1
10	20622019		油封	plug	1
11	30122039		油封	plug	1
12	30203002	250137	下主轴前套	sleeve	1
13	30203003	250138	下主轴后套	sleeve	1
14	30203006	0628	护针轴套	sleeve	1
15	30203039	0628	护针轴套	sleeve	1
16	30203011	250139	针距轴套	sleeve	1
17	30203017	250140	差动牙前套	sleeve	1
18	30222011		油封	plug	1
19	30203018	250141	差动牙后套	sleeve	1
20	30203040		拍牙轴前(中)轴套	sleeve	1
21	30222010		油封	plug	1
22	30203040		拍牙轴前(中)轴套	sleeve	1
23	30203049	204089	拍牙轴后套	sleeve	1
24	30203012		调节座套	sleeve	1
25	30203009	250191	下弯针轴前套	sleeve	1
26	30203010	250144	下弯针轴后套	sleeve	1
27	P03005		销4×8	pin	1

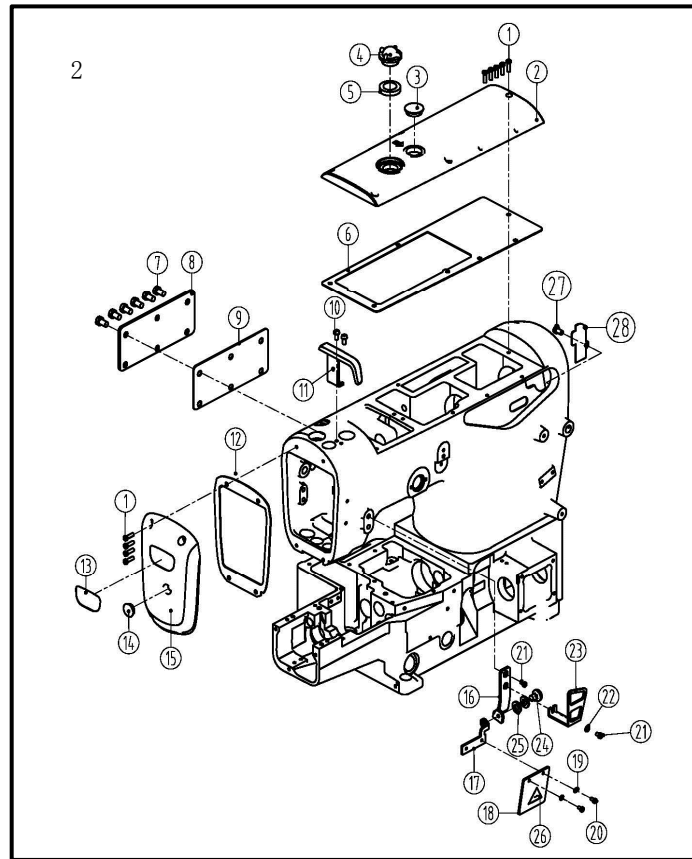


一、车架部件/Frame assemblies

序号 No.	件号 Parts No.	参考件号 Ref. Part. No.	名称	Description	数量 Number
1	30122006	240052	油封	plug	2
2	21022007		油封	plug	1
3	21012018		油封垫	washer	1
4	20622019		油封	plug	1
5	30222002	209084	油封	plug	1
6	H01001	240001	滤油网挡圈	ring	1
7	30112001	255002	滤油网	filter	1

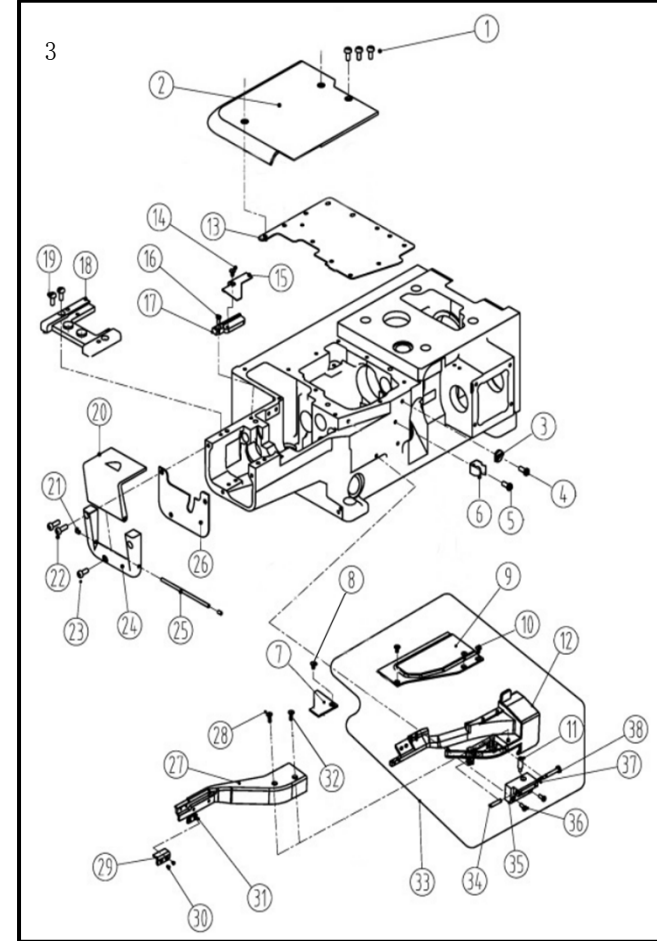
零件手册 Parts Manual

8	30223006	255108	限油芯	pin	1
9	301S30001	250117	机壳螺钉	bed pin	4
10	20122009	210003	油封	plug	1
11	30111001	206590	油标	oil sight gauge	1
12	W02003		垫圈10 (全工)	washer	4
13	S05001		螺钉M10×27.5	screw	4
14	30112002	250020	盖板	cover	1
15	S01002	7017	螺钉M4×6.5	cscrew	2
16	100886		机壳上节	chassis	1
17	100887		机壳下节	Casing under section	1
18	30224004		定位销	pin	2
19	30122007		油封	plug	1
20	30122008		油封	plug	1



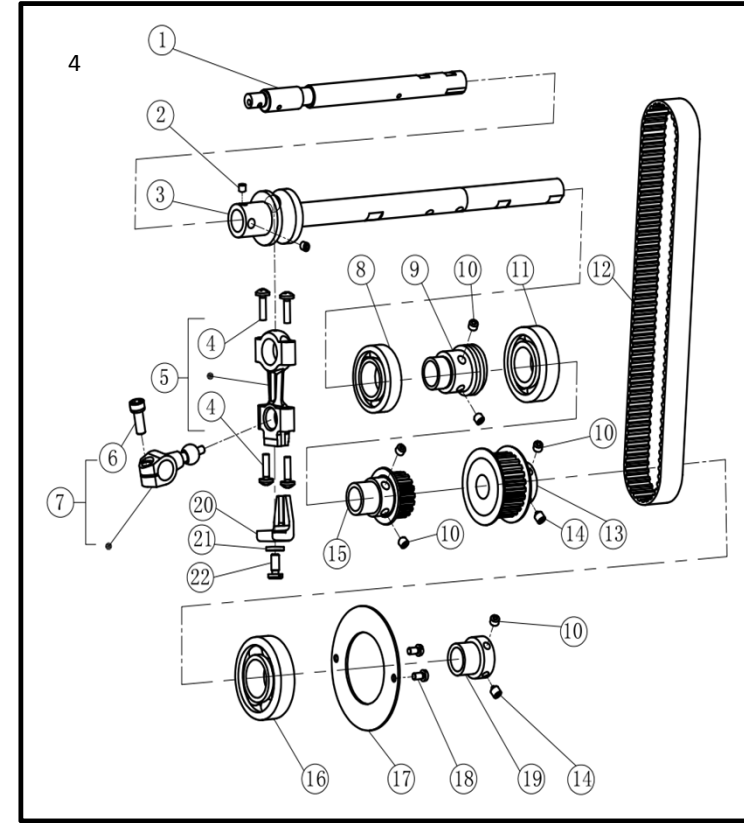
二、罩壳部件/Cover assemblies

序号 No.	件号 Parts No.	参考件号 Ref. Part. No.	名称	Description	数量 Number
1	S04060	7021	螺钉M4×10	screw	9
2	303600		上盖(喷漆)	arm cover(top)	1
3	20722002		油封	plug	1
4	20711055		油窗	Oil Sight Window	1
5	21022003		油窗垫	o ring	1
6	31022010		上盖密封垫	The head gasket	1
7	S01060	7052	螺钉M6×10	screw	6
8	303605	250154	后盖板	arm cover(rear)	1
9	31022013	250155	后盖板垫	gasket	1
10	207511007		螺钉	screw	2
11	31012020		针杆护罩	needle bar cover	1
12	31022006		机头左盖密封垫	o ring	1
13	13837002		商标牌	plug	1
14	10122003		油封	plug	1
15	303599		机头左盖(喷漆)	arm cover(rear)	1
16	31012042		玻璃罩安装板	glass plate	1
17	31012029		护罩架	Shield frame	1
18	30111003	250257	有机玻璃罩	eye guard	1
19	W01002	202875	垫圈	sticker	2
20	S01006	7009	螺钉M3×4.5	screw	2
21	S01060	7052	护罩螺钉	screw	2
22	W02004	303335	垫圈6	sticker	1
23	31012012		过线护罩	thread takeup cover	1
24	301S20001		螺钉	screw	1
25	W03001	210307	波形垫圈	washer	2
26	20131063		护罩警示牌	sticker	1
27	S01055		螺钉	screw	1
28	31022014		卡片片	Card line piece	1



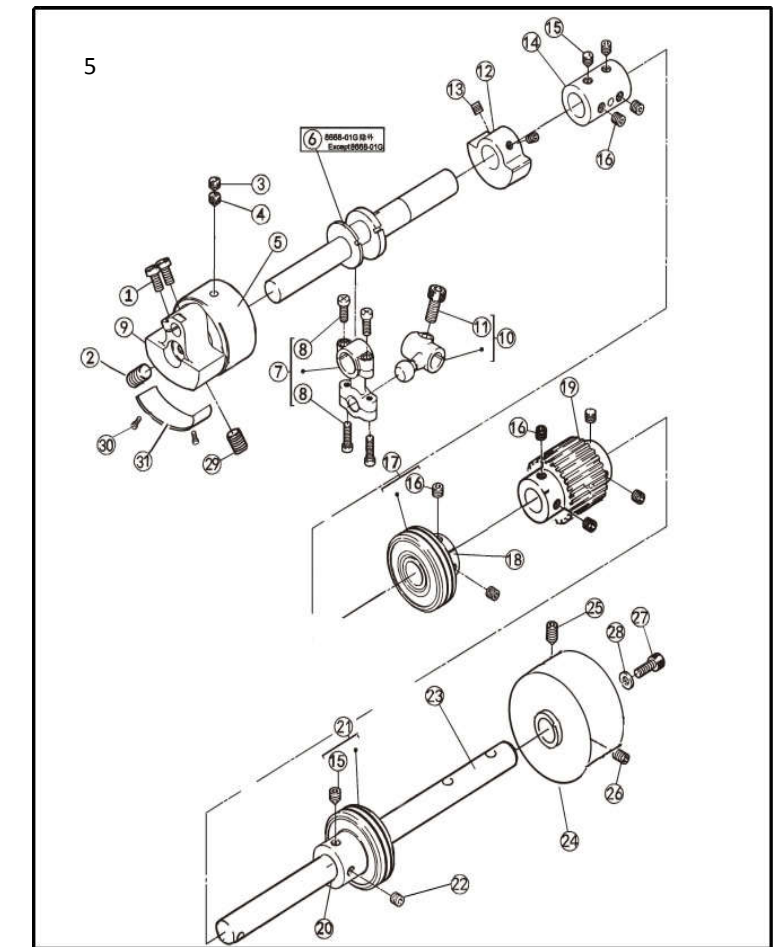
三、缝台部件/Cloth plate assemblies

序号 No.	件号 Parts No.	参考件号 Ref. Part. No.	名称	Description	数量 Number
1	S01005	7021	螺钉M4×10	screw	3
2	303607		后缝台(喷漆)	bed cover	1
3	30213009		过线环	threadguide	1
4	S01055		螺钉 M4×6	screw	1
5	207513007		螺钉 M4×6.5	screw	1
6	13812007		卡簧	circlip	1
7	31012081		前罩缝台拼接块	Front cover joint	1
8	S02003		螺钉 M4×6	screw	1
9	31012088		前罩缝台面板	Front cover panel	1
10	S02003	007043	螺钉M4×5	screw	3
11	310520011		左侧盖黄螺钉	screw	1
12	31001013		前罩缝台	Front hood	1
13	30222027		盖板垫	Flat mat	1
14	S02003		螺钉 M4×6	screw	1
15	31012080		缝台板	bed cover	1
16	S01004		螺钉 M4×7.8	screw	1
17	31001015		缝台块安装座	Mounting seat	1
18	31001005		针板架	needle plate	1
19	S01005		螺钉M4×10	screw	2
20	31012023	0389	左盖	cover plate assembly	1
21	S10026	4554	螺钉M3×3	screw	2
22	S04060	7024A	螺钉M4×10	screw	2
23	301S11024		滑块导座螺钉	screw	1
24	303604	0388	U型盖(喷漆)	left cover plate rack	1
25	31026004	0330	下节左盖板销	pin	1
26	31022004	0325	左盖密封垫	needle tow after boards	1
27	303930		前罩缝台盖(喷漆)	Front cover	1
28	S01011		螺钉M5×10	screw	1
29	31009005		针板架接块	bracket	1
30	S01009		螺钉M3×7.5	screw	2
31	31012084		针板接块垫块	Needle plate block	1
32	310501011		螺钉M5×10	screw	1
33	303928		前罩缝台组件(喷漆)		1
34	31026006	240198	销	pin	1
35	31001014		合销块	Closing pin	1
36	207511016	007022A	螺钉M4×16	screw	2
37	30128002		垫片	bracket assembly	2
38	310S20006	250013	前罩缝台座螺钉	screw	1



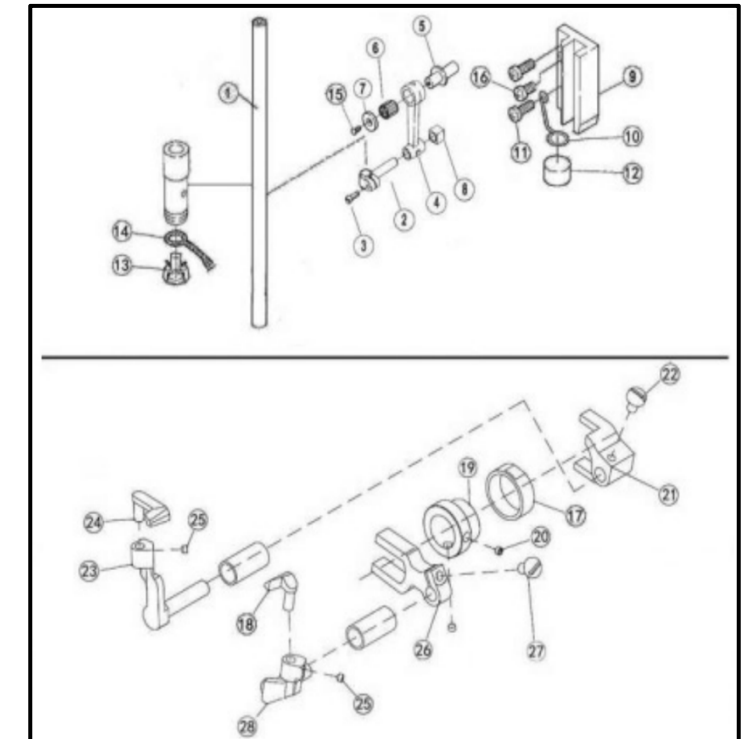
四、下轴部件/Hook shaft assemblies

序号 No.	件号 Parts No.	参考件号 Ref. Part. No.	名称	Description	数量 Number
1	400082	250551	下前轴	crankshaft	1
2	S10015	7128	螺钉M6×0.75×4	screw	2
3	31002008	250554-92	下轴后轴	crankshaft	1
4	201S20015	5376	铜连杆螺栓M3.5×13	screw	4
5	400070	210091-92	球连杆	connection	1
6	S05002	4534	螺钉 M6×0.75×15.2	bolt	1
7	400228	252056-92	球曲柄	crank	1
8	3012400300	250529A91	油封轴承	bearing	1
9	30103008	250544	连杆	bushing	1
10	S10029	4547	螺钉 M6×0.75×5	screw	6
11	3012400400	250557-91	油封轴承	bearing	1
12	30135002		同步带	timing belt	1
13	30235025	401	下轴同步带轮	gear (lower)	1
14	S12003	4555	螺钉M6×0.75×7	screw	2
15	30235026	402	下轴小同步带轮	gear (lower)	1
16	B01003		轴承6304Z	bearing	1
17	30108001	250514	轴承挡圈	ring	1
18	S01004	7018A	螺钉 M4×7.8	screw	2
19	31003004		下轴轴承套	bushing	1
20	30109001	201074	比叉	guide	1
21	W02001	202286	垫圈5	washer	1
22	301S11004	4019	比叉螺钉	screw	1



五、上轴部件/Main shaft assemblies

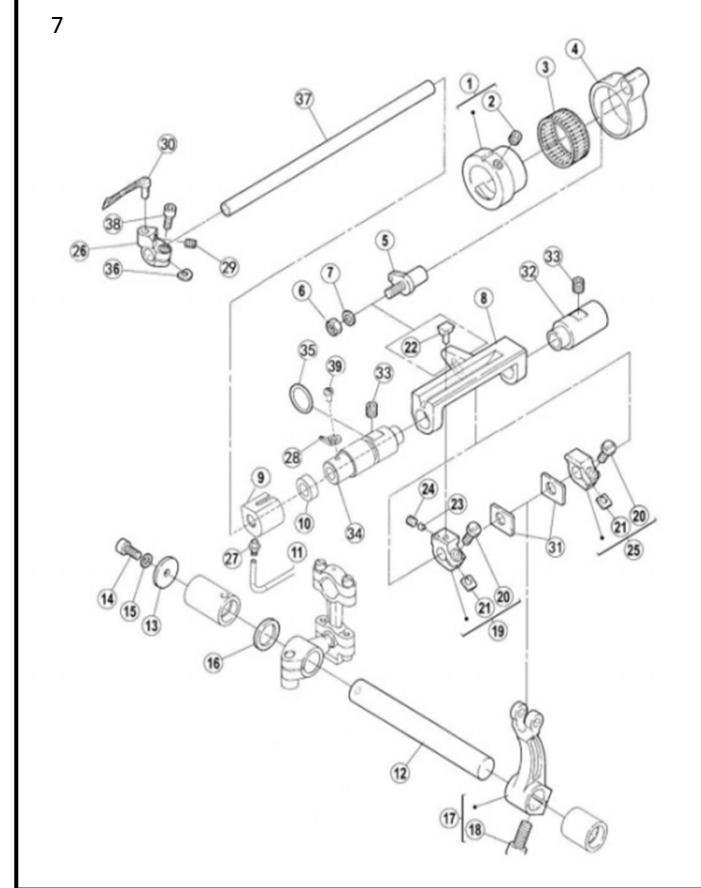
序号 No.	件号 Parts No.	参考件号 Ref. Part. No.	名称	Description	数量 Number
1	S01011	7028	螺钉M5×10	screw	2
2	301S10004	4592	针杆曲柄螺钉	screw	1
3	S08001	7153	螺钉M6×0.75×3.5	screw	1
4	S11001	7152	螺钉M6×0.75×6	screw	1
5	30224005		针杆曲柄轴承	bearing	1
6	400065	250560A	上前轴	crankshaft	1
7	400061	253500-92	连杆组件	connection assembly	1
8	S01008	007021A	螺钉M3.5×13	screw	4
9	31004004		针杆曲柄	motion assy	1
10	31014006	253501A	弯针曲柄	crank assembly	1
11	S05002	4534	螺钉M6×0.75×15.2	bolt	1
12	30109003	250524	上轴平衡块	balance weight	1
13	S10002	4514	螺钉M5×5	screw	2
14	30103004	250506	接轴套	joint	1
15	S12003	4555	螺钉M6×0.75×7	screw	3
16	S10029	4547	螺钉M6×0.75×5	screw	8
17	3012400400	250529-91	油封轴承	bearing	1
18	30103012		轴衬套	bushing	1
19	31035022		上轴同步带轮	gear (upper)	1
20	31003003		轴衬套	bushing	1
21	3012400400	250528-91	油封轴承	bearing	1
22	S10029	4547	螺钉M6×0.75×5	screw	1
23	31002011		后轴	shaft	1
24	31035002		手轮	pulley	1
25	S12001	4556	螺钉M6×8	screw	1
26	S10009	4541	螺钉M6×8	screw	1
27	S05004	4501	螺钉	screw	1
28	W01004	204585	垫片	washer	1
29	S10004	4592	螺钉M8×1×12	screw	1
30	S02003		螺钉	screw	2
31	31009001		平衡块	Balance weight	1



六、针杆部件/Needle bar assemblies

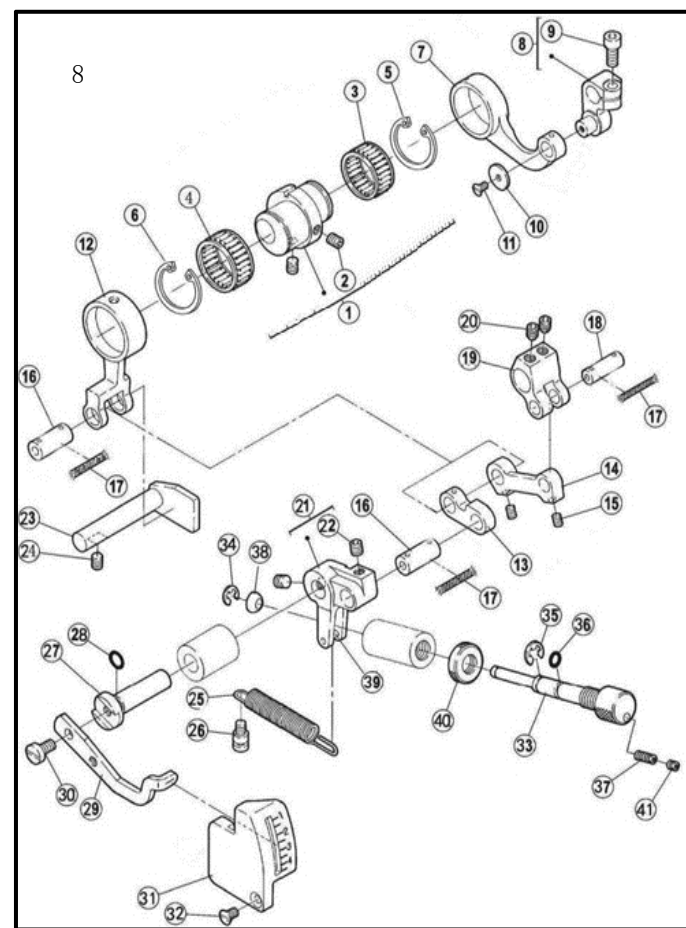
序号 No.	件号 Parts No.	参考件号 Ref. Part. No.	名称	Description	数量 Number
1	30202024	251014-91	针杆	needle bar	1
2	30102009	206061	针杆轧头	needle bar clamp	1
3	301S11005	5325	针杆轧头螺钉	screw	1
4	30205002	251016	针杆连杆	link	1
5	30102050	206053	连杆偏心轴	eccentric pin	1
6	B07001	240098	轴承8×12×12	needle bearing	1
7	30128030	240101	垫圈	washer	1
8	30109004	206063	针杆滑块	guide block	1
9	31009006	251017	滑块导座	guide	1
10	30227003	251018	毛毡弹簧	latch	1
11	S01003	7021	螺钉M4×12	screw	2
12	30123002	179040-05	毛毡	sponge	1
13	30112009	206524	油线托	oil wick retainer	1
14	30123014	212186	油线	oil wick	1
15	S02007		螺钉M3×5	screw	1
16	S01004	7019	螺钉 M4×7.8	screw	1

17	30203056		护针套筒	sleeve	1
18	30217001	257568	前护针	needle guard(front)	1
19	30210005		挡圈	sponge	1
20	S10007	4546	螺钉M4×4	screw	2
21	30204035	4035	护针曲柄	oil wick	1
22	301S11025	7086	护针曲柄螺钉	screw	1
23	30201008	251512	后护针架	needle guard(rear)	1
24	30217002	257567	后护针	needle guard(rear)	1
25	S10007	4543	螺钉M4×4	screw	2
26	30204003	251513-92	护线曲柄	lever	1
27	S01029	7013	螺钉M3.5×7.5	screw	1
28	30201007	251514	前护线架	needle guard(front)	1



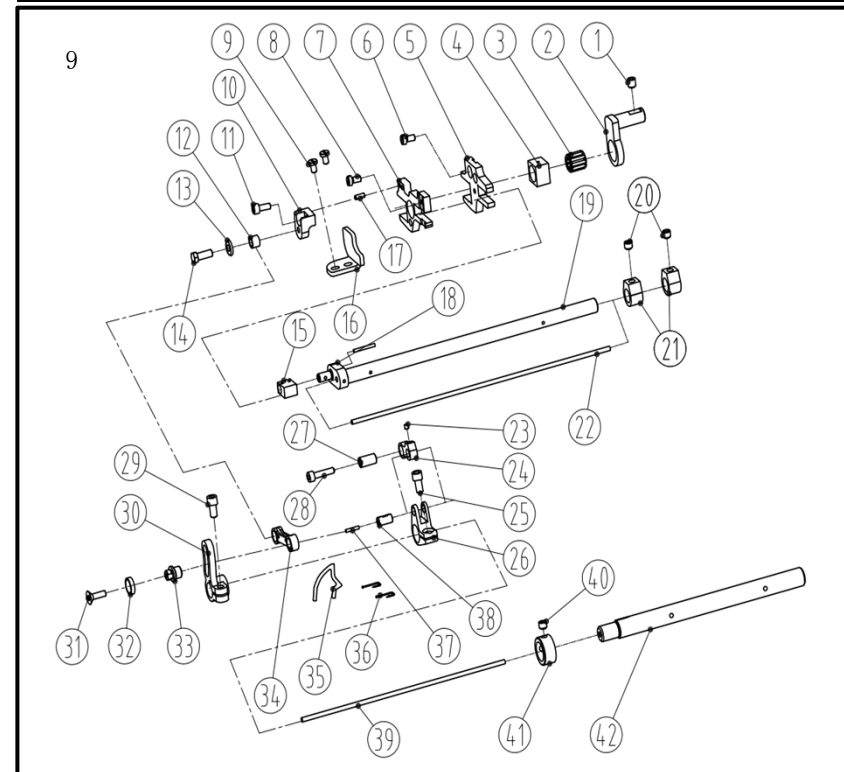
七、弯针部件/Needle guard assemblies

序号 No.	件号 Parts No.	参考件号 Ref. Part. No.	名称	Description	数量 Number
1	30210002	252036-92	偏心套	eccentric	1
2	S10015	7128	螺钉M6×0.75×4	screw	1
3	B07009	206172	轴承K26×30×12.7	needle bearing	1
4	30205003	252035	连杆	rod	1
5	30226005	252037-91	滑杆销	pin assembly	1
6	N01004	4805	螺母M5	nut	1
7	N01004	240062	连杆轴垫圈	washer	1
8	30201010	252039	连杆架	guide/looper shaft	1
9	30203045		油棉盖	oil cover	1
10	30223014		油毡	felt	1
11	12921002		回油管	pipe	1
12	30202007	252044	下弯针连杆轴	shaft	1
13	30228006	240232	垫片	washer	1
14	S05048	4524/7110	螺钉M4×10	bolt	1
15	N02002	201252	垫圈4	washer	1
16	30228005	240231	垫片	washer	1
17	30204004	252046-92	下弯针轴曲柄	lever	1
18	S05002	4534	螺钉M6×0.75×15.2	screw	1
19	30201011	252040-92	前挡块	holder	1
20	S04019	7021A	螺钉M4×12	screw	2
21	30228003	252041	垫片	washer	2
22	30209003	252042	滑块	slider	1
23	30209004	252043	油堵	pin	1
24	S10007	4543	螺钉M4×4	screw	1
25	30201012	252045-92	后挡块	holder	1
26	30201101		弯针架	looper holder	1
27	30221018		钢油嘴	joint screw	1
28	30213050		过线	threadguide	1
29	S10007	7129	螺钉M4×5	screw	1
30	30217003	257566	弯针	looper	1
31	30228004	252047	挡块垫片	washer	2
32	30203007	252052	后套(后轴)	bushing	1
33	S10013		螺钉	screw	2
34	30203044	252049-91	衬套	bushing	1
35	001021	231011	O型圈12.2×2.4	O ring	1
36	30228002	252055	垫圈	washer	1
37	30202006	252048	滑杆	shaft	1
38	S05046		螺钉M3.5×9.5	screw	1
39	S01006		螺钉	screw	1



八、护针部件/Feed mechanism

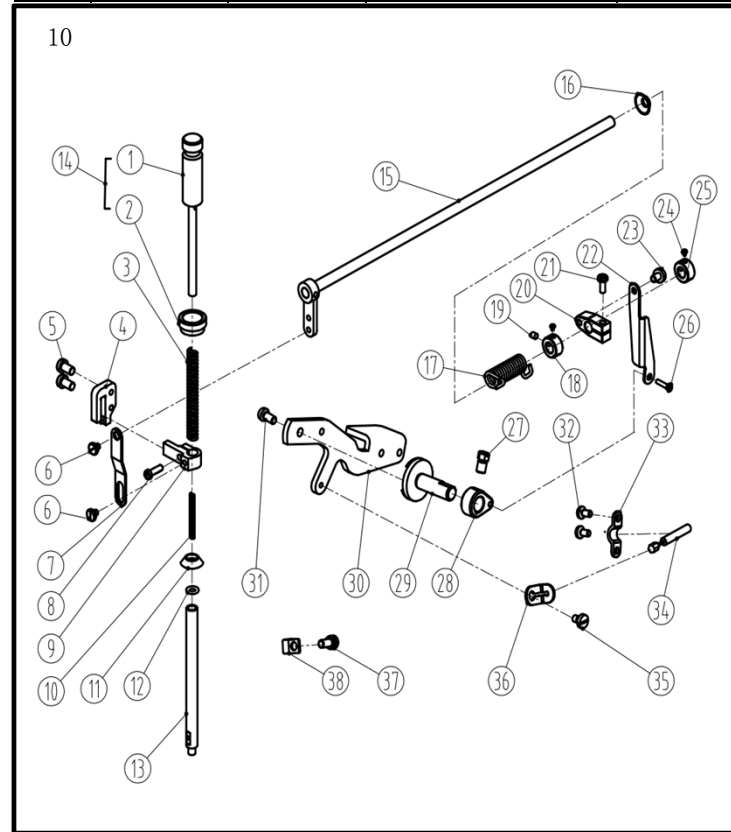
序号 No.	件号 Parts No.	参考件号 Ref. Part. No.	名称	Description	数量 Number
1	3021000300	252607-92	送布偏心轮组件	eccentric	1
2	S10006	4539	螺钉M5×6	screw	2
3	B07007	240084	轴承22×26×10	needle bearing	1
4	30224001	240236	轴承28×24×13	needle bearing	1
5	30229001	240234	卡簧	ring	1
6	30229002	240237	卡簧	ring	1
7	30205004	252608	连杆	rod	1
8	30204005	252609-92	曲柄	crank	1
9	S05005	4531	螺钉M5×12	screw	1
10	30228007	240055	垫片	washer	1
11	S02016	7041	螺钉M3×3.2	screw	1
12	30205005	252612	偏心连杆	rod	1
13	30205007	252614	针距轴杆	link	1
14	30205006	202176	连杆	link	1
15	S10007	4537	螺钉M4×4	screw	2
16	30226007	252613	连杆销	pin	2
17	20123021	202176	JK795油线	oil wick	1
18	30226008	252616	曲柄销	pin	1
19	30204006	252617	曲柄	crank	1
20	S10029	7142	螺钉M6×5	screw	2
21	30204007	252618-91	调节曲柄	link	1
22	S10029	2547	螺钉M6×5	screw	2
23	30202008	252622	针距调节挡板	guide	1
24	S10006	4539	螺钉M5×6	screw	1
25	30227005	252620	拉簧	spring	1
26	302S30001	7131	螺钉	screw	1
27	30202009	252621	针距指示轴	shaft	1
28	001022	240017	O型圈7×1.5	O ring	1
29	30212013	252523	指示板	lever	1
30	S01011		螺钉M5×10	screw	1
31	S1011007	252624-VB	刻度板	indication plate	1
32	S02004	4537	螺钉M4×8	screw	1
33	30202010	252625	针距调节轴	screw	1
34	H05012	201629	挡圈4	ring	1
35	H05006	200983	挡圈5	ring	1
36	001023	240251	O型圈5×1.5	O ring	1
37	S09015	4550	螺钉M4×10	screw	1
38	30209006		垫块	block	1
39	P03011		销3×12	pin	1
40	302S16001	252660	调节螺母	nut	1
41	S10007	4543	螺钉M4×4	screw	1



九、送布部件/Feed mechanism

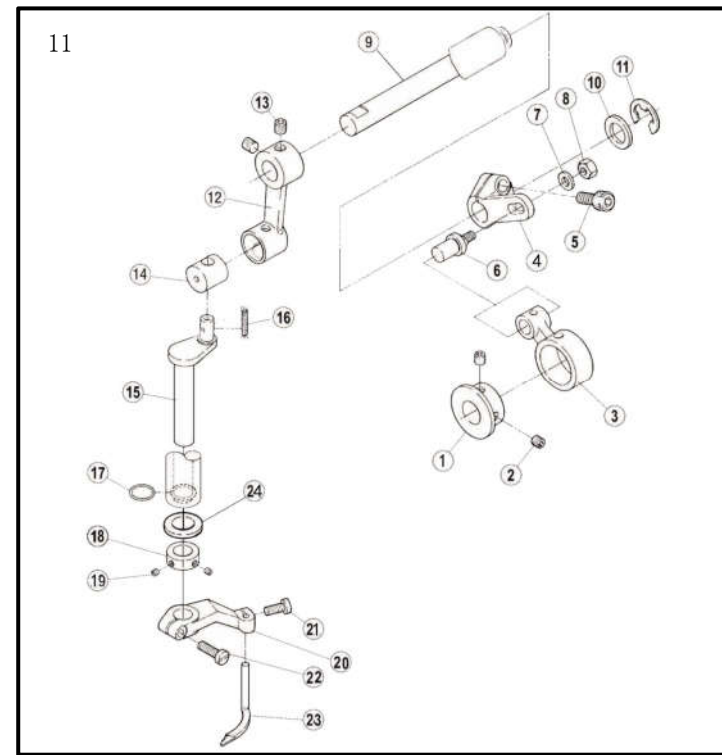
序号 No.	件号 Parts No.	参考件号 Ref. Part. No.	名称	Description	数量 Number
1	S10013	7152	螺钉M6×6	screw	1
2	30204008	252628	抬牙曲柄	guide (right)	1
3	B07008	210238	轴承9×12×13	needle bearing	1
4	30209008	252632	抬牙滑块	block	1
5	30206004	0904	送布牙架	feed dog stand	1
6	301S1024		螺钉	screw	1

7	30206003	0903	差动牙架	differential braces	1
8	S01004		螺钉	screw	1
9	S01002	7017	螺钉M4×6.5	screw	2
10	30209050	0950	差动曲柄	differential crank	1
11	S05048	S7028	螺钉M4×10	screw	1
12	30203013	252637	衬套	bushing	1
13	30228008	240039	垫圈	washer	1
14	L01004	7056	螺栓M5×0.5×13	screw	1
15	30209080	0980	滑块	slider	1
16	30212099	252629	牙架挡板	guide (left)	1
17	30226032	0932	定位销	pin	1
18	20123021		油线	screw	1
19	30202036	0936	抬牙轴	crankshaft	1
20	S10029		螺钉	screw	2
21	30208026		挡圈	collar	2
22	30123014	202175	油线	oil wick	1
23	S10026		螺钉M3×3(进口)	collar	1
24	30205081	0981	连杆	link	1
25	S05003	4531	螺钉M5×10	screw	1
26	30204077	0977	曲柄	link	1
27	30203041	0941	衬套	bushing	1
28	302S09010	0910	螺钉M4×18	screw	1
29	S05003	4531	螺钉M5×10	screw	1
30	30204321	1026	差动摆动连杆	link	1
31	302S17005	0905	内六角沉头螺钉	screw	1
32	30228020	1045	锥形垫圈	washer	1
33	30204322	1027	连接销	pin	1
34	30205008	252636	差动小连杆	link	1
35	30123014	202175	油线	oil wick	1
36	30126009	210766	销	pin	1
37	20123021		油线	screw	1
38	30226040	0940	销	pin	1
39	20123021	202176	JK795油线	oil wick	1
40	S10029		螺钉	screw	1
41	30208005		挡块	collar	2
42	30202001	0935	差动轴	crankshaft	1



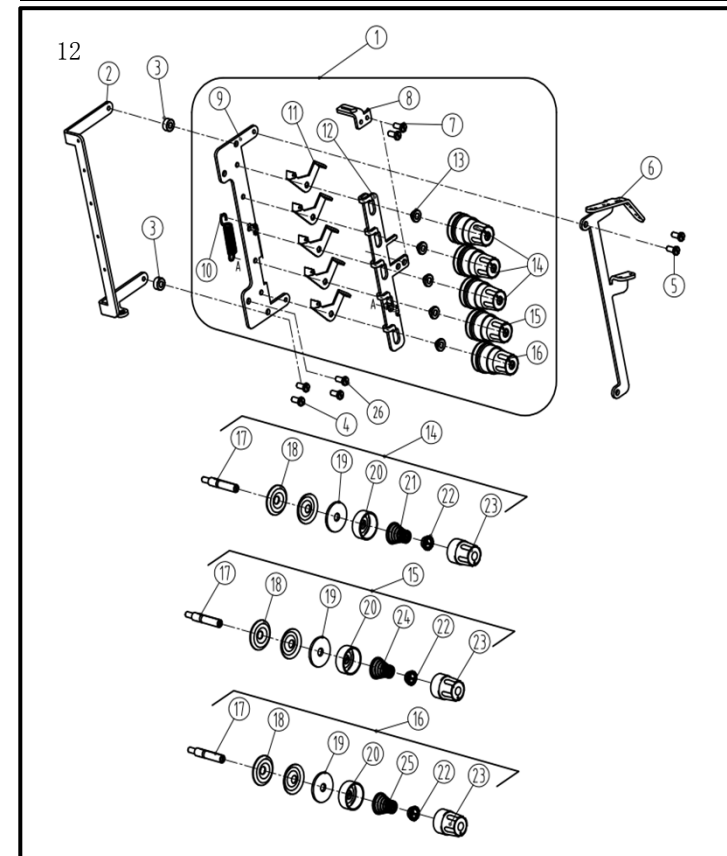
十、压布部件/Presser form assemblies

序号 No.	件号 Parts No.	参考件号 Ref. Part. No.	名称	Description	数量 Number
1	310S30002	253000-91	调压螺母	adjusting bar	1
2	301S16005	253003	调压螺母	nut	1
3	30227008	240252	调压簧	spring	1
4	3010901700	253005-91	导块销簧组件	guide	1
5	S11025	7025	螺钉M4×20	screw	2
6	301S20007	5386	螺钉	screw	2
7	30112016	206157	压脚轴头连接板	link	1
8	301S11009		螺钉M4×12	screw	1
9	30104017	206139	压脚轴头	presser bar clamp	1
10	30227009	240253	压脚轴小簧	spring	1
11	30122023		抬压轴油封	oil guard.	1
12	001006	240095	O型圈8.5×1.8	O ring	1
13	30202017	240095	压脚轴	presser shaft	1
14	3100201000		压脚轴组件	adjusting bar assembly	1
15	3010206400	253010	抬牙轴曲柄组件	shaft	1
16	30122023		抬压轴油封	oil guard.	1
17	30127009	253010	抬压轴簧	spring	1
18	30108005	206156	挡圈	ring	1
19	301S12001	5084	曲柄螺钉	screw	2
20	30104019	206149	抬压曲柄I	bell crank(upper)	1
21	301S11011	5187	抬压曲柄螺钉	screw	1
22	30122018	253011	抬压曲柄连接板	link	1
23	301S20008	5184	连接板螺钉	screw	1
24	301S12001	5084	曲柄螺钉	screw	3
25	30108006	192024	挡圈	ring	1
26	301S20008	5184	连接板螺钉	screw	1
27	301S20013	002022-4	抬压曲柄II固定螺钉	screw	1
28	30104020	206148	抬压曲柄II	bell crank(lower)	1
29	31002006		抬压扳手轴	shaft	1
30	30102109		压脚扳手	lever	1
31	S0101	4531	螺钉M5×10	screw	1
32	S01004		螺钉M4×7.8	screw	2
33	31012032		钢丝绳压板	clamp	1
34	3102200200		松线钢丝绳轴	Steel wire rope	1
35	301S20008	5184	连接板螺钉	screw	1
36	31012072		钢丝绳拉板	pulling plate	1
37	S05003	4531	螺钉 M5×10	screw	1
38	31012091		线卡	ply-yarn drill	1



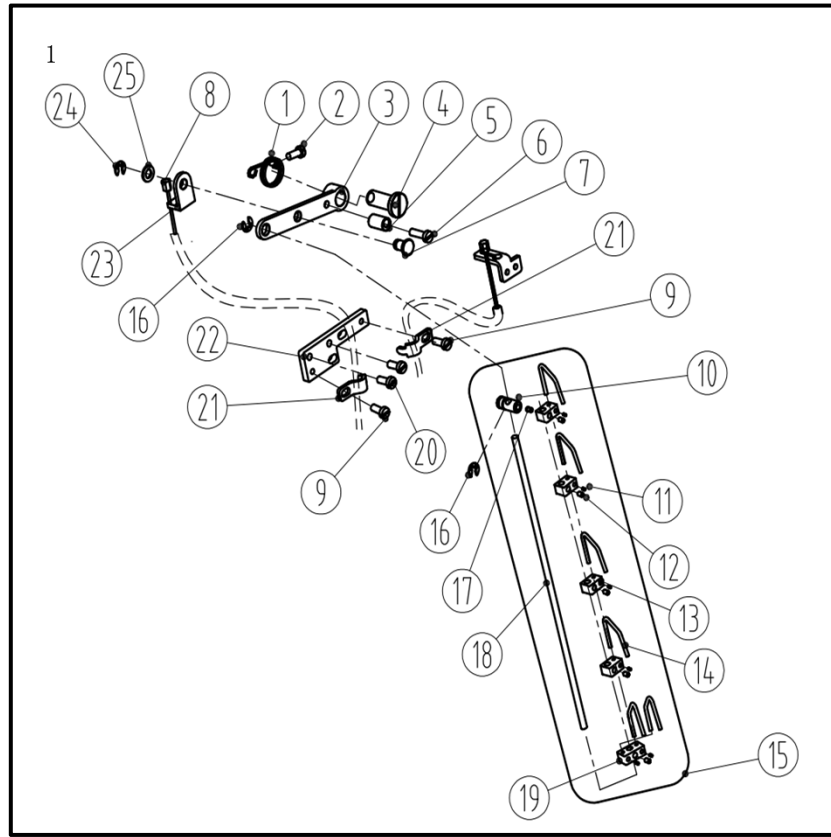
十一、喂针部件/Needle feeding assemblies

序号 No.	件号 Parts No.	参考件号 Ref. Part. No.	名称	Description	数量 Number
1	30110007	254501A	喂针凸轮	eccentric assembly	1
2	S10002	4514	螺钉M5×5	screw	2
3	400059	254511	喂针连杆	connection	1
4	30104024	254503	喂针摆动曲柄	crank	1
5	S05002	4534	螺钉M6×0.75×15.2	screw	1
6	30126006	254504	连杆销	screw	1
7	30128032	240062	垫圈	washer	1
8	N01004	4805	螺母M5	nut	1
9	30102024	254519	摆动连杆轴	shaft	1
10	30128015	206180	摆动连杆轴垫圈	washer	1
11	H05004	306671	挡圈12	ring	1
12	S1005013	254506B	喂针摆动连杆	crank	1
13	S10029	4547	螺钉M6×0.75×5	screw	2
14	30126005	254507	喂针摆动销	block	1
15	30202018	254518	喂针摆动架	crankshaft	1
16	20123021	202176	JK795油线	oil wick	1
17	001008	233020	O型圈9×1.8	O ring	1
18	20108006		挡圈	collar	1
19	S10026		指圈螺钉	screw	2
20	30104022	254516	喂针架	lever assembly	1
21	S01005	7020	螺钉M4×10	screw	1
22	S01017	7022	螺钉M4×14	screw	1
23	30117005	257565	喂针	spreader	1
24	30128018		垫圈	washer	1



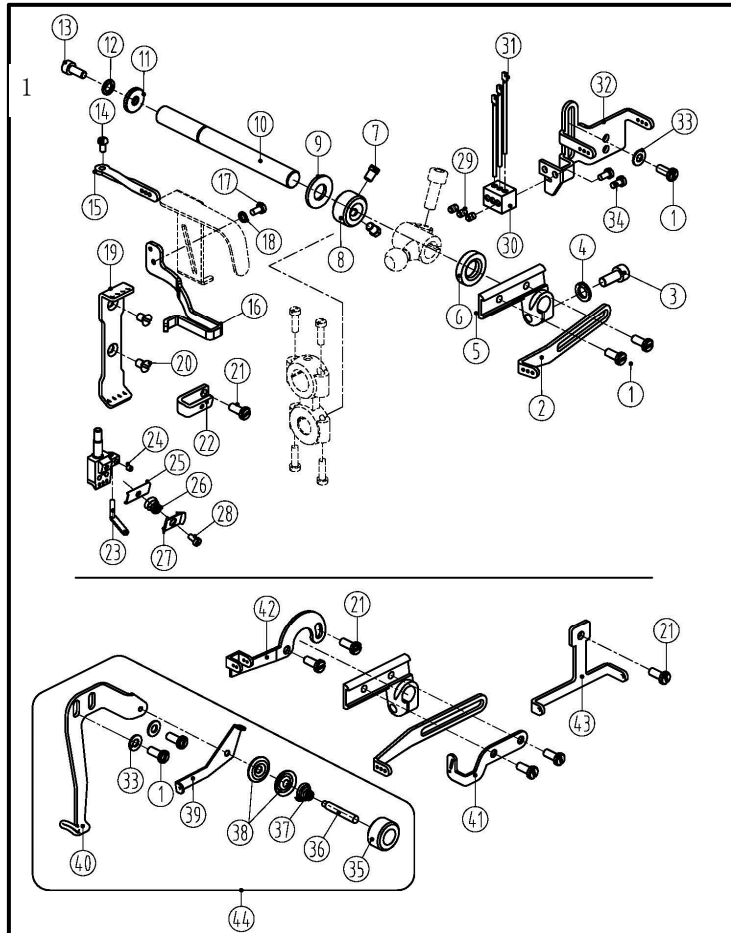
十二、松线部件(-)/Thread loosening assemblies (one)

序号 No.	件号 Parts No.	参考件号 Ref. Part. No.	名称	Description	数量 Number
1	3101300700	2010			



十三、松线部件(二)/thread loosing assemblies (two)

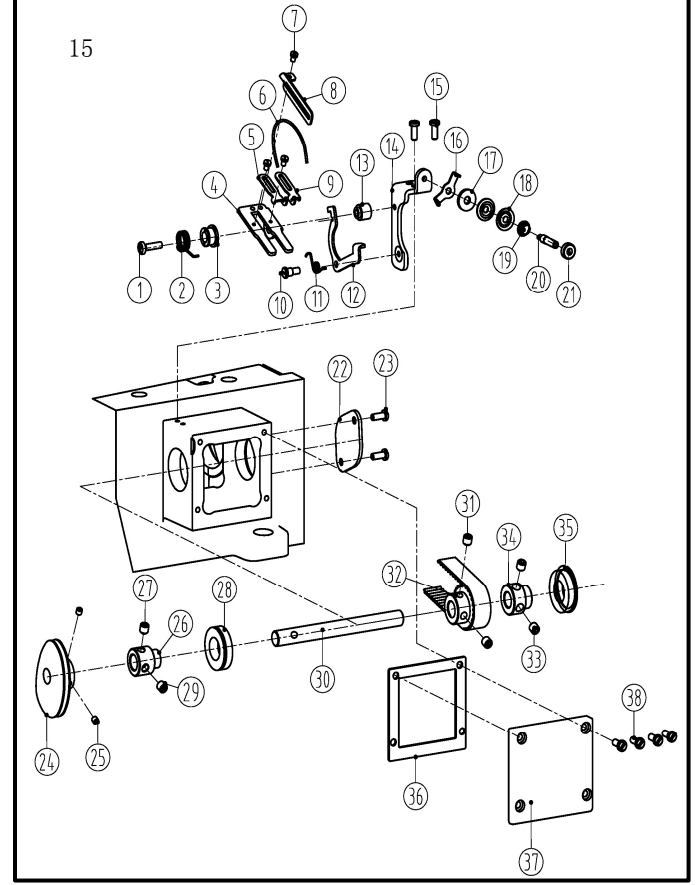
序号 No.	件号 Parts No.	参考件号 Ref. Part. No.	名称	Description	数量 Number
1	31027003		松线扭簧	Loose wire torsion spring	1
2	S01004		螺钉M4x7.8	Screw	1
3	31004002		松线曲柄	Crank	1
4	31026003		轴位销	Shaft pin	1
5	31003005		轴套	Spacer	1
6	S04020		螺钉	Screw	1
7	31029001		连接销	Shaft pin	1
8	3102200300		剪线钢丝软轴	Wirerope	1
9	S01004		螺钉M4x7.8	Screw	2
10	31028003		管座	Holder	1
11	207S14009		螺钉M3x3	Screw	6
12	S01007		螺钉M4x4	Screw	5
13	31009002		打线块	Block	1
14	30129058		松线	Thread releaser	1
15	3100200700		松线组件	Thread releaser	1
16	H05006		卡簧	Ring	2
17	207S14009		螺钉M3x3	Screw	1
18	31002007		接线杆	Shaft	1
19	31009003		打线块	Block	1
20	S01004		螺钉M4x7.8	Screw	2
21	31012032		压板	Plate	2
22	31012044		支撑板	Plate	1
23	31012055		卡簧	Ring	1
24	H05006		卡簧	Ring	1
25	31012057		垫片	Shim	1



十四、过线部件/Thread loosing assemblies

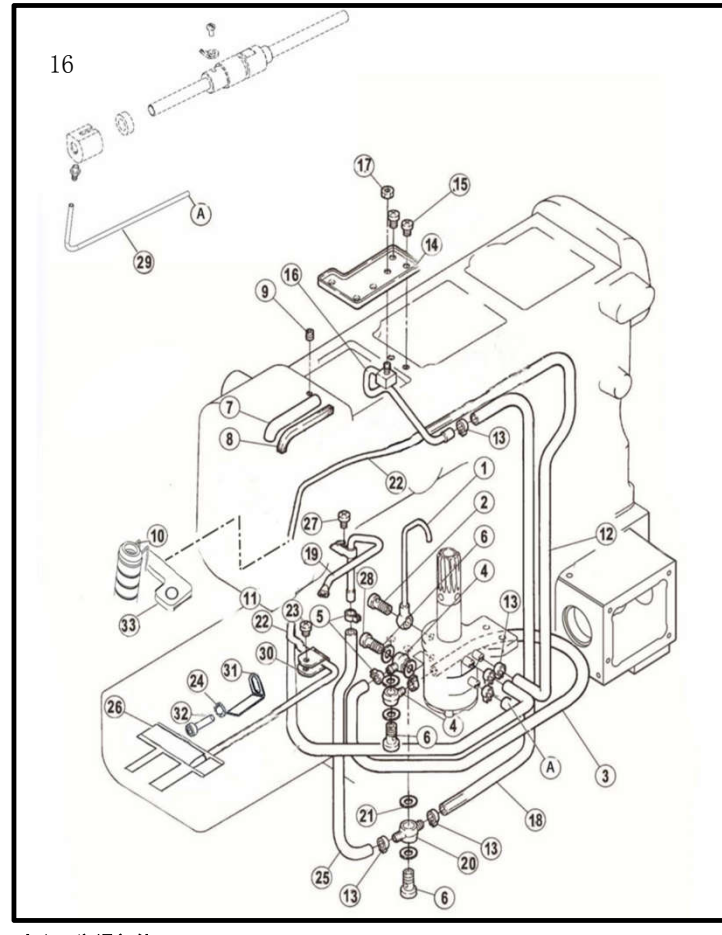
序号 No.	件号 Parts No.	参考件号 Ref. Part. No.	名称	Description	数量 Number
1	S01004	7019	螺钉M4x7.8	screw	5
2	31013006	253505A	长过线板	thread take-up	1
3	S05004	4501	螺钉M5x14	screw	1
4	W02001	303067	垫圈	washer	1
5	30101018	253504	过线座	lever	1
6	20622019		油封	plug	1
7	301S12001	5084	曲柄螺钉	screw	2
8	30108008	240201	挡圈	ring	1
9	30128008		摆架轴垫圈	washer	1
10	31002001	253503	过线轴座(中轴)	shaft	1
11	30128019	204107	垫片	washer	1
12	W02002	201252	M4垫圈	washer	1
13	S05048	4527	螺钉M4x10	screw	1
14	S01027	7009	螺钉M3x6	screw	1
15	31013017	253507	三孔过线	thread guide	1
16	31012022		护线罩	thread support	1
17	S01006		螺钉	screw	1
18	30128034		垫圈	washer	1
19	31013005		过线板	thread guide	1

20	206S30016	7170	螺钉	screw	2
21	S01004	7018	螺钉M4x7.8	screw	4
22	31012045		U型尖线座	thread tension bracket	1
23	30112033	253511	喂针小过线	thread guide	1
24	S10026	4554	螺钉M3x3	screw	1
25	30112025	234561	夹线板	thread guide	1
26	30127014	253517	调压簧	spring	1
27	30112026	253593	压线板	tension disc	1
28	301S20009	0W09070-2	调线螺钉	screw	1
29	S10001	4535	螺钉M3x4	screw	3
30	30113012	253545	针杆过线座	holder	1
31	30113013	234521	过线杆	thread guide	3
32	30112027	253544	硅油合金固定架	thread guide	1
33	W01001	303448	M4垫圈	washer	3
34	S01006	7009	螺钉M3x4.5	screw	2
35	302S16005		调压螺母	adjusting nut	1
36	301S30055		调线螺钉	adjusting screw	1
37	12927012	137109	夹线簧	spring	1
38	12928036	137108	夹线片	thread retainer	2
39	30112032	253547	喂针二眼过线	thread guide	1
40	31012046	253548	喂针过线板	thread guide	1
41	31012018		过线板	thread guide	1
42	30112029	253514	喂针过线	thread guide	1
43	31013011	253515	过线板	thread guide	1
44	3101204600		喂针过线组件	thread guide	1



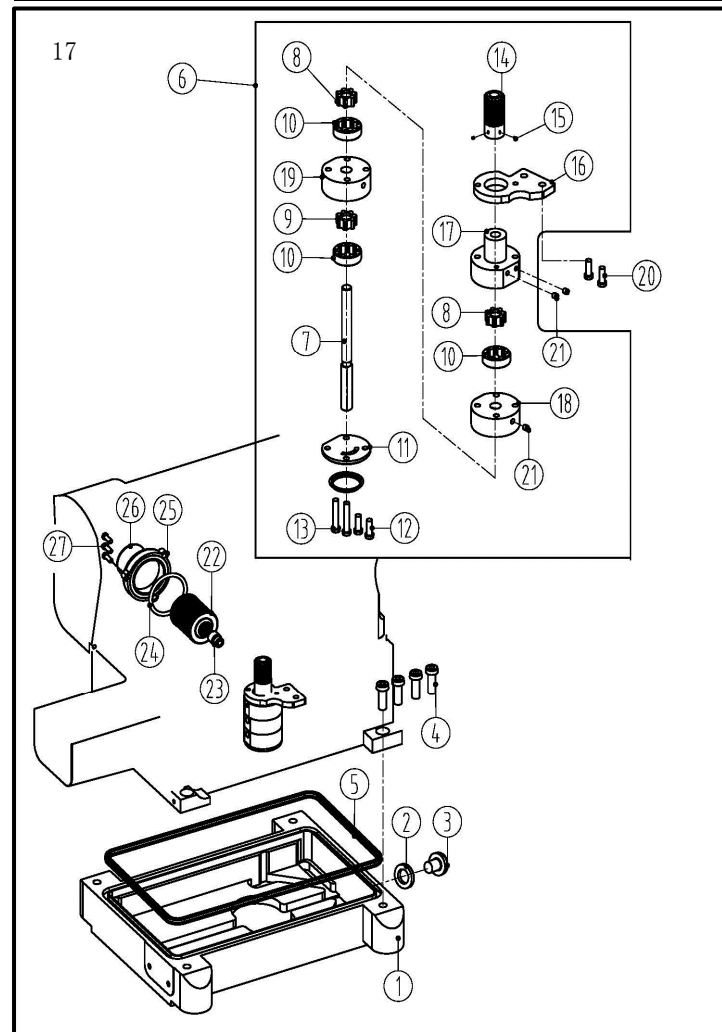
十五、打线凸轮部件/Cam assemblies

序号 No.	件号 Parts No.	参考件号 Ref. Part. No.	名称	Description	数量 Number
1	S04004		螺钉M4x15	screw	1
2	30227016	1516	复位弹簧	reset spring	1
3	30208020	1520	打线架挡圈	fight line retaining ring	1
4	30212068	1568	打线架	bracket	1
5	30313019		过线片(左)	thread guide (left)	1
6	30123022		毛根	Wool top	1
7	S01006	7009	螺钉M3x4.5	screw	3
8	30212084	1584	打线片	thread guide	1
9	30313020		过线片(右)	thread guide (right)	1
10	310S20007		螺钉	screw	1
11	31027002		复位弹簧	reset spring	1
12	31012037		打线架扳手	fight line wrench	1
13	30208022	1522	挡块	stop	1
14	31012036		安装板	layer	1
15	S01002	7017	螺钉M4x6.5	screw	2
16	30213024	167079	过线	thread guide	1
17	10128001		松线轴衬垫片	sticker	1
18	12928036	137108	小夹线片	thread retainer	2
19	12927012	211388	夹线簧	spring	1
20	301S30055		调压螺钉	adjusting screw	1
21	302S16005		调压螺母	adjusting nut	1
22	31012034		轴承盖	cover	1
23	S01002	7017	螺钉M4x6.5	screw	2
24	3101302700		打线凸轮组件	looper thread take-up	1
25	S10007		螺钉M4x4	screw	2
26	30203038		轴承套	collar	1
27	S10029	4547	螺钉M6x0.75x5	screw	1
28	B04042		轴承69022ZNR	bearing	1
29	S10029	4547	螺钉M6x0.75x5	screw	1
30	31002012		凸轮轴	shaft	1
31	S10029	4547	螺钉M6x0.75x5	screw	2
32	30235019		凸轮轴同步带轮	time belt	1
33	S10029	4547	螺钉M6x0.75x5	screw	2
34	30203038		轴承套	bushing	1
35	30224004		轴承69022ZNR	bearing	1
36	31022011		凸轮座盖板垫	felt	1
37	303603		凸轮座盖板(喷漆)	cover	1
38	S01002	7017	螺钉M4x6.5	screw	4



十六、润滑部件/Lubrication assemblies

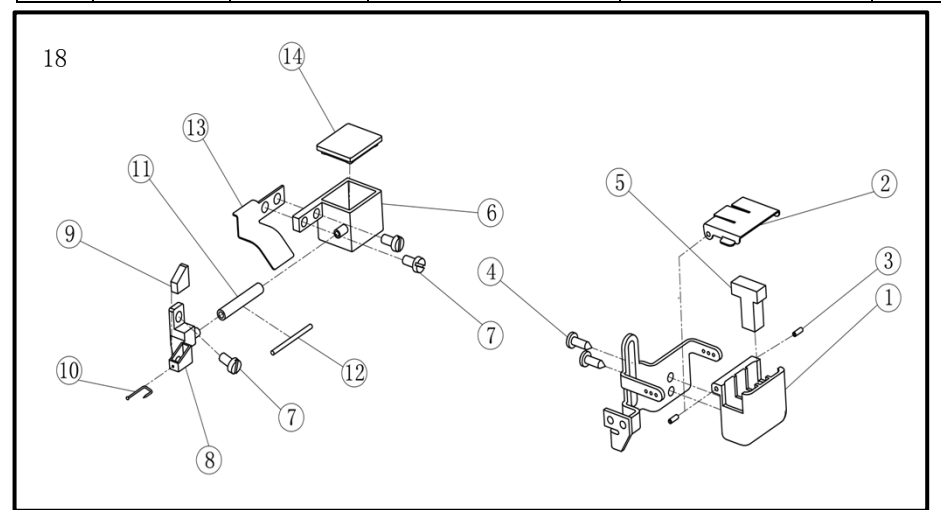
序号 No.	件号 Parts No.	参考件号 Ref. Part. No.	名称	Description	数量 Number
1	30136006	1609	铜油管接头	pipe	1
2	301S30012	255037	油管螺钉	screw	1
3	30121021	205113A	φ5×φ7油管	tube	1
4	20636001	200136	油管接头	joint	2
5	30129006	202199	油管卡簧(大)	clamp	2
6	301S30013	200152	过油螺钉	screw	2
7	30121012	255003	铜油管	oil pipe	1
8	30123010	240136	油毡	felt	1
9	S10002	4514	螺钉 M5x5	screw	1
10	31027005		回油毡卡簧	back felt circlip	1
11	31023001		针杆回油毡	The needle bar back felt	1
12	12921002	240006	φ3×φ5油管	screw	1
13	20429001	202199	油管卡簧	clamp	7
14	30112039	255006	接油盘	oil guard	1
15	S01002	7017	螺钉 M4x6.5	screw	2
16	3012101500	255007-91	喷油管	oil distributor	1
17	N01001	4821	螺母 M4	nut	1
18	12921005	240134	φ4×φ6油管	tube	1
19	3022100800	255094-91	油管组件	oil splash pipe	1
20	30136005	255123	双头油管接头	joint	1
21	20122033		垫片	washer	6
22	12921002		φ3×φ5油管	screw	1
23	S04010	7018A	螺钉 M4x5.5	screw	2
24	W01001		垫片	sticker	1
25	30221023		φ4×φ6油管	pipe	1
26	30223022		回油毡	felt	1
27	S01002	7018	螺钉M4x7	screw	1
28	201S30004		过油螺钉	joint screw	1
29	12921002		φ3×φ5油管	tube	1
30	20712055		油管夹	tubing clamps	1
31	30227040		固定板	screw	1
32	S05048		螺钉	screw	1
33	30223023		上节回油毡	felt	1



十七、油泵部件/Oil pump assemblies

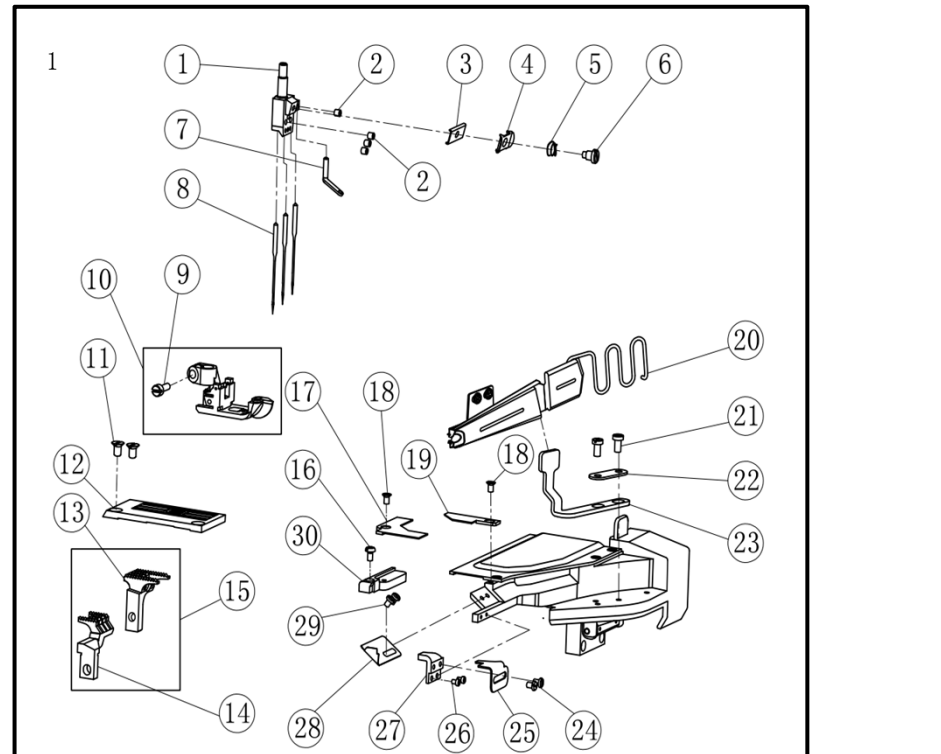
序号 No.	件号 Parts No.	参考件号 Ref. Part. No.	名称	Description	数量 Number
1	30201029	225041	油盘	oil reservoir	1
2	20528014	202287A	垫圈	washer	1
3	301S11015	5138B	堵油螺钉	screw	1
4	S05007	4504	螺钉 M8x20	screw	4
5	30222014	255042	油盘密封圈	o ring	1

6	3022000300	1722	油泵组件	oil pump assy	1
7	30102044	255024	油泵轴	shaft	1
8	30120030	1730	主动轮	rotor	2
9	30120030	1730	主动轮	rotor	1
10	30120031	255027	从动轮	rotor	3
11	30120008	255028	油泵盖	cover	1
12	301S20011	7105	油泵螺钉	screw	2
13	302S1300	1713	油泵螺钉	screw	2
14	30125003	255019	油泵蜗轮	worm wheel	1
15	S10002	4514	螺钉 M5x12	screw	2
16	30120002	W17-4	油泵固定板	oil pump fixed plate	1
17	30220002	1714	油泵体(上)	pump body	1
18	30120009	1719	油泵体(中)	pump body	1
19	30120003	1720	油泵体(下)	pump body	1
20	S05004	4534	螺钉 M5x12	screw	2
21	301S30014	205111	过油螺钉	joint screw	3
22	20136004	206233	过滤器	oil filter	1
23	201S30030	210200	螺钉	screw	1
24	0101010	206431	O型圈38.7x3.55	O ring	1
25	300140	210201-PD	过滤器盖	cover	1
26	30131004	9A3002	提示说明	filter seal	1
27	S01003	7021	螺钉M4x12	screw	3



十八、硅油盒装置部件/Silicon oil device assemblies

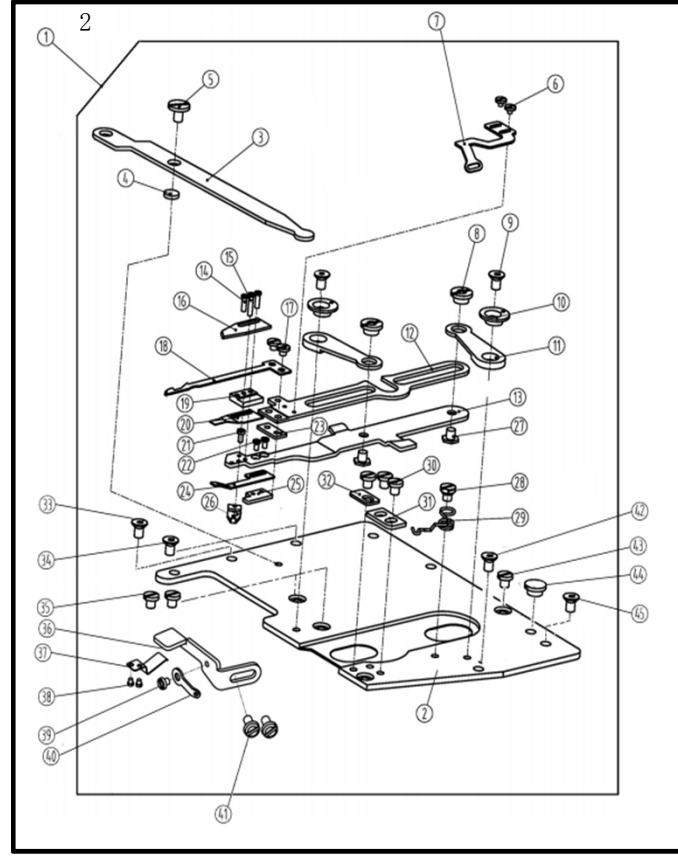
序号 No.	件号 Parts No.	参考件号 Ref. Part. No.	名称	Description	数量 Number
1	30111070		上硅油盒	silicone oil reservoir(upper)	1
2	30112040	207067-PD	上硅油盒盖	cap	1
3	P03008	206781	销 2x6	pin	2
4	S16002	7009	自攻螺钉 ST3.5x8	screw	2
5	30123011	207068	硅油毡	felt	1
6	30201075	1075	下硅油盒	silicone oil box	1
7	S01004	7019	螺钉 M4x7.8	screw	3
8	30201014	255107	固定架	needle cooler(lower)	1
9	30223005	240247	硅油毡	felt	1
10	30126009	210766	销	pin	1
11	12921002	240246	推尼龙油线	tube	1
12	20123021	202175	J#8568油毡	oil wick	1
13	30212666	2666	硅油盒挡板	silicone oil box baffle	1
14	30222028	2028	下硅油盒盖	silicone oil box cover	1



十九、针位组专用件/Gauge set specific parts

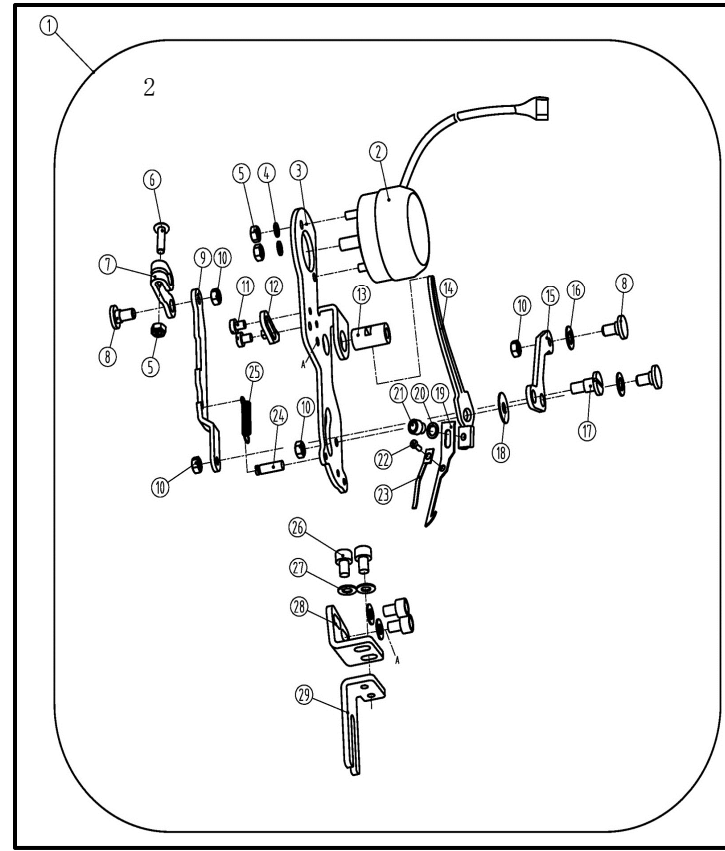
序号 Ref. No.	公司件号 No	Part	参考件号 Ref. Part. no.	名称	Description	数量 Number
1	30134001			356针古	needle holder	1
2	30134002			364针古	needle holder	1
3	S10026	4554		螺钉M3x3	screw	4
4	30112025	234561		夹线板	thread guide	1
5	30112026	253593		压线板	tension disc	1
6	30127014	253517		调压簧	spring	1
7	301S20009	0W09070-2		调线螺钉	screw	1
8	30112033	253511		喂针小过线	thread guide	1
9	30117001			机针	sponge	3
10	301S11010	1170-3		压脚固定螺钉	screw	1
11	3021601000			压脚(O10B)	presser foot assy(O10B)	1
12	30116005			压脚(O2BB*356)	presser foot assy(O2BB*356)	1
13	30116006			压脚(O2BB*364)	presser foot assy(O2BB*364)	1
14	302S17001			螺钉(进口)	screw	2
15	30115067			356针板(O10B)	needle plate(O10B*356)	1
16	30115068			364针板(O10B)	needle plate(O10B*364)	1
17	30115006			356针板(O2BB)	needle plate(O2BB*356)	1
18	30115007</					

18	S02003	7024A	螺钉 M4×5	screw	2
19	31012082		前置罩台盖并接块 (02B8专用)	front cover joint	1
20	3011206800		龙头组件	Faucet assembly	1
21	S01011		螺钉M5×10	screw	2
22	30112063		龙头架垫	Head pad	1
23	31012085		龙头架	Leading frame	1
24	S01055		螺钉M4×6	screw	2
25	31012086		前缝台挡板	Front baffle	1
26	S01006		螺钉M3×4.5	screw	2
27	31001018		前缝台挡板座	mounting seat	1
28	31012087		缝料挡板	Slit baffle	1
29	S01055		螺钉M4×6	screw	2
30	31001015		缝台块安装座	Mounting seat	1



二十一、上剪线部件/knife holder assemblies

序号 No	零件号 Parts No.	参考零件号 Ref. Part. No.	名称	Description	数量 Number
1	3101900100		上切刀组件	knife holder assembly	1
2	31030005		电磁铁组件	solenoid assembly	1
3	W02025		弹性垫圈	washer	2
4	N01013		螺母	nut	2
5	30112118		安装板	install plat	1
6	30112119		压紧板	plat	1
7	N01013		螺母	nut	1
8	S05114		螺钉	screw	1
9	30127039		弹簧	spring	1
10	301S30036		螺钉	screw	1
11	301S30039		螺钉	screw	1
12	30112120		滑板	plat	1
13	301S20021		螺钉	screw	2
14	30112121		垫片	washer	2
15	30112122		限位板	plat	1
16	S01087		螺钉M3.5x4	screw	2
17	30112123		压片一	presser plat	1
18	30112124		压片二	presser plat	1
19	W01005		垫片	washer	1
20	301S30038		螺钉	screw	1
21	301S30039		螺钉	screw	1
22	301S16014		调节螺母	nut	1
23	301S20022		螺钉	screw	1
24	30119008		动刀	plat	1
25	30119009		切刀	thread wiper	1
26	S01088		螺钉M2x3.5	screw	4
27	30112125		安装板	install plat	1
28	S01089		螺钉M4x5.5	screw	2
29	31012014		安装板	install plat	1
30	W01006		垫片	washer	2
31	S05304		螺钉	screw	2
32	301S30041		螺钉	screw	2
33	W01006		垫片	washer	2
34	S05304		螺钉	screw	2

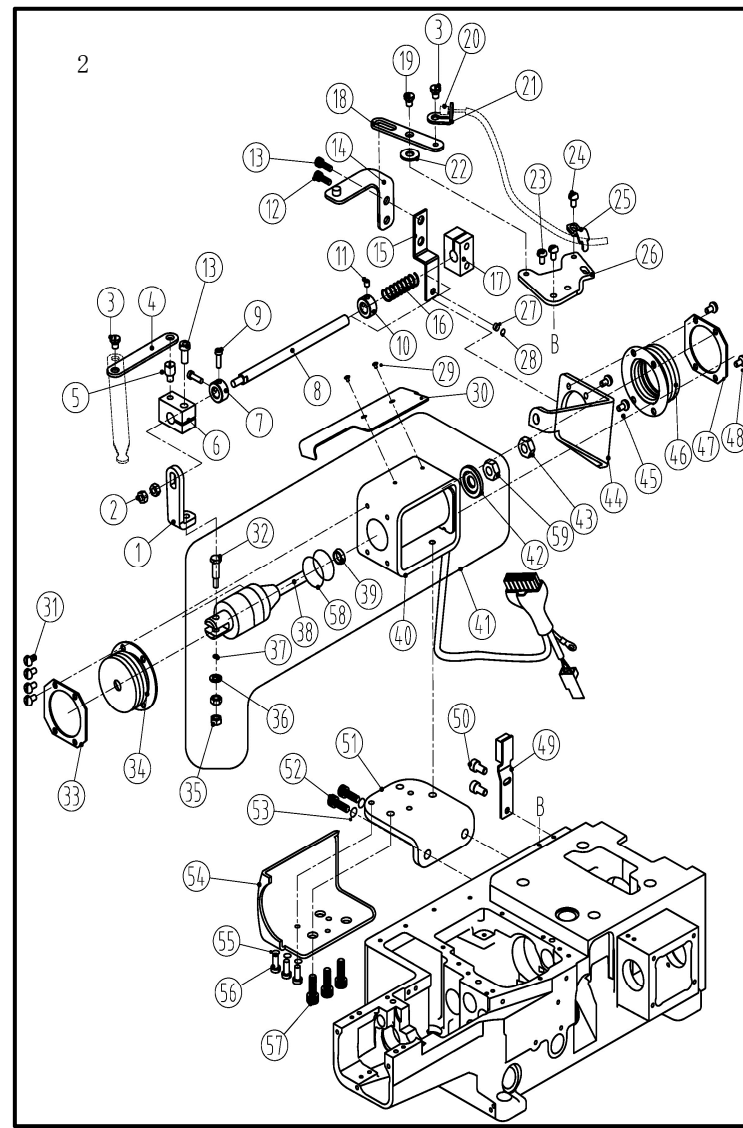
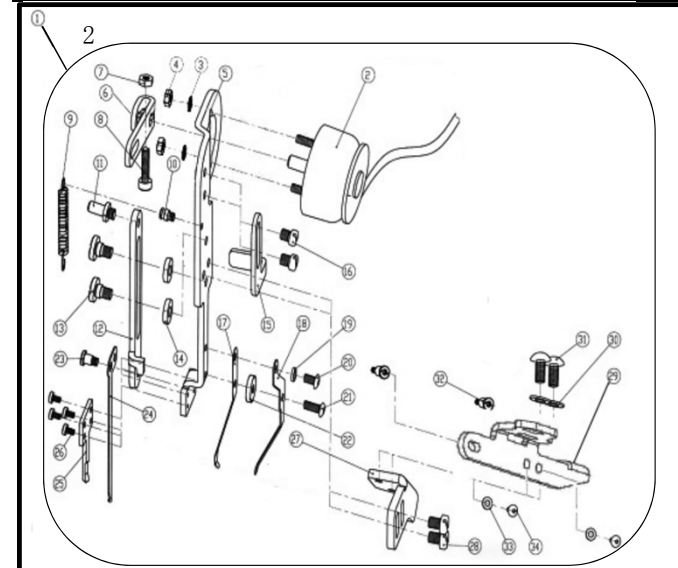


二十二、接线器部件/Top wiper assemblies

序号 No	零件号 Parts No.	参考零件号 Ref. Part. No.	名称	Description	数量 Number
1	3101900200		接线器组件	Cable assembly	1
2	3013004000		电磁铁组件	Electromagnet assembly	1
3	30112258		安装板	Mounting plate	1
4	42428008		弹簧垫圈	Spring washer	2
5	N01013		螺母M3	Nut	3
6	S05032		内六角平圆头螺钉M3x12	Screw	1
7	31010470		曲柄	Orank	1
8	301S20055		轴位螺钉	Screw	3
9	30105066		连杆	Connecting rod	1
10	N01006		螺母M4	Nut	4
11	417S15007		螺钉	Screw	2
12	30109088		挡块	Block	1
13	30126034		转动销	Rotating pin	1
14	30102156		曲柄	Orank	1
15	30104076		曲柄	Orank	1
16	W01048		垫片	Washer	2
17	301S20056		轴位螺钉	Screw	1
18	W01049		垫片	Washer	1
19	30112203		匀线片	Cancel the piece	1
20	W01050		垫片	Washer	1
21	S05047		螺钉M3x4	Screw	1
22	S01097		螺钉M2x2	Screw	1
23	30112204		弹簧片	Leaf spring	1
24	301S01005		螺钉	Screw	1
25	30127061		弹簧	spring	1
26	421S13005		螺钉	Screw	4
27	W01051		垫片	Washer	4
28	30112261		固定板	Fixed plate	1
29	31012049		安装板	Fixed plate	1

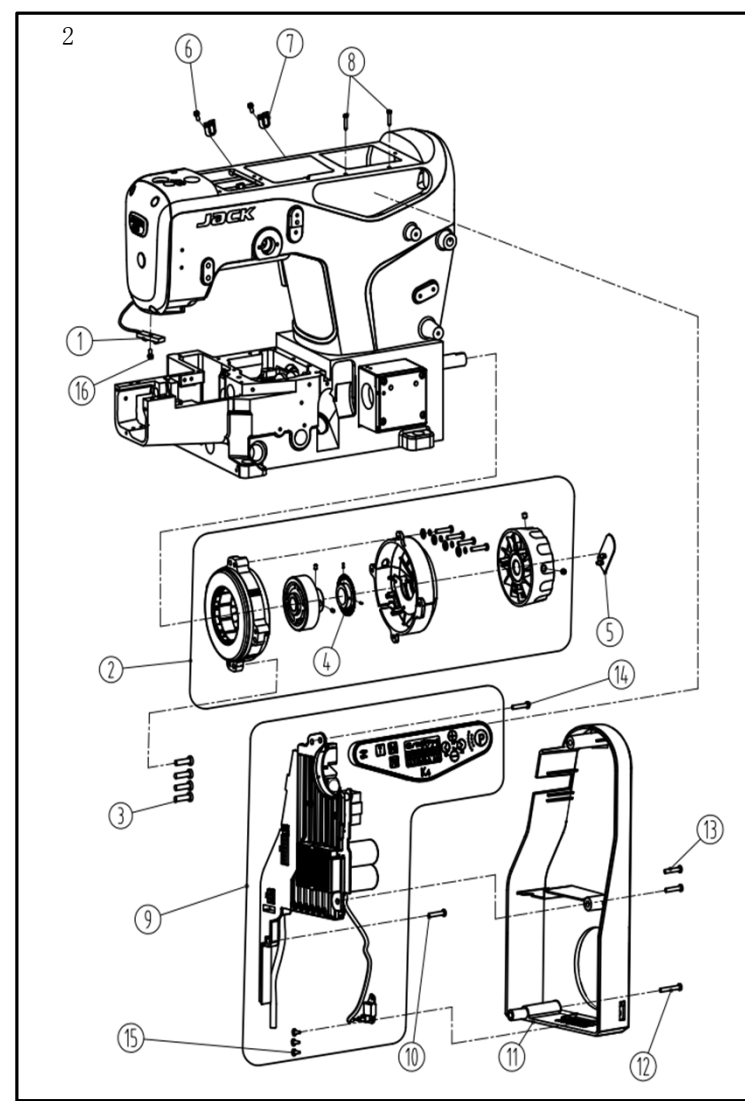
二十三、下剪线部件/knife holder assemblies

序号 No	零件号 Parts No.	参考零件号 Ref. Part. No.	名称	Description	数量 Number
1	3021900700		下切刀组件	Slice knife components	1
2	30212156		刀盘底板	The knife dish plate	1
3	30212246		摆杆	Swinging rod	1
4	30212116		垫片	Washer	1
5	302S30022		螺钉M4x4	Screw	2
6	S01091		螺钉M2x2.3	Screw	2
7	30213046		UT松线片	UT pine line piece	1
8	30203112		刀架固定套	Rest a fixed set	2
9	S14002		内六角沉头螺钉M4x4	Screw	2
10	30203113		刀架转动套	Head rotating sleeve	2
11	30212225		刀架连杆	Head connecting rod	2
12	30212255		上刀架	On the rest	1
13	30212256		下刀架	Under the rest	1
14	S01197		开槽圆柱头螺钉M2x6	Screw	2
15	S01198		开槽圆柱头螺钉M2x10	Screw	1
16	30219009		定刀	Stationary knife	1
17	S01196		开槽圆柱头螺钉M3x3	Screw	2
18	30219008		动刀	Dynamic knife	1
19	30212328		定刀固定块	Stationary knife fixed block	1
20	30212327		压板(二)	Bracket	1
21	S01199		开槽圆柱头螺钉M2x3	Screw	1
22	S02165		开槽沉头螺钉M2x3	Screw	2
23	30212329		垫板	Plat	1
24	30212326		压板(一)	Bracket	1
25	30212324		垫块(一)	Block	1
26	30212325		垫块(二)	Block	1
27	302S12002		外六角螺钉M4x4	Screw	2
28	302S20015		螺钉M4x2.5	Screw	1
29	30227124		复位弹簧	Reset spring	1
30	S01195		开槽圆柱头螺钉M4x3	Screw	3
31	30212257		限位板	The limit board	1
32	30212245		上刀架挡板	Rest on the baffle	1
33	L02001		螺栓M4x8	Screw	1
34	302S10011		刀盘定位螺钉	Screw	1
35	301S11024		滑块导座螺钉	Screw	2
36	30212161		支撑板	Support plate	1
37	30212240		弹簧片	Leaf spring	1
38	S01091		螺钉M2x2.3	Screw	2
39	208S11007		螺钉	Screw	1
40	20613008		过线	thread guide	1
41	S01004		螺钉M4x7.8	Screw	2
42	302S10011		刀盘定位螺钉	Screw	1
43	301S11024		滑块导座螺钉	Screw	1
44	31022016		减震垫	Cushioning	1
45	L02001		螺栓M4x8	Screw	1



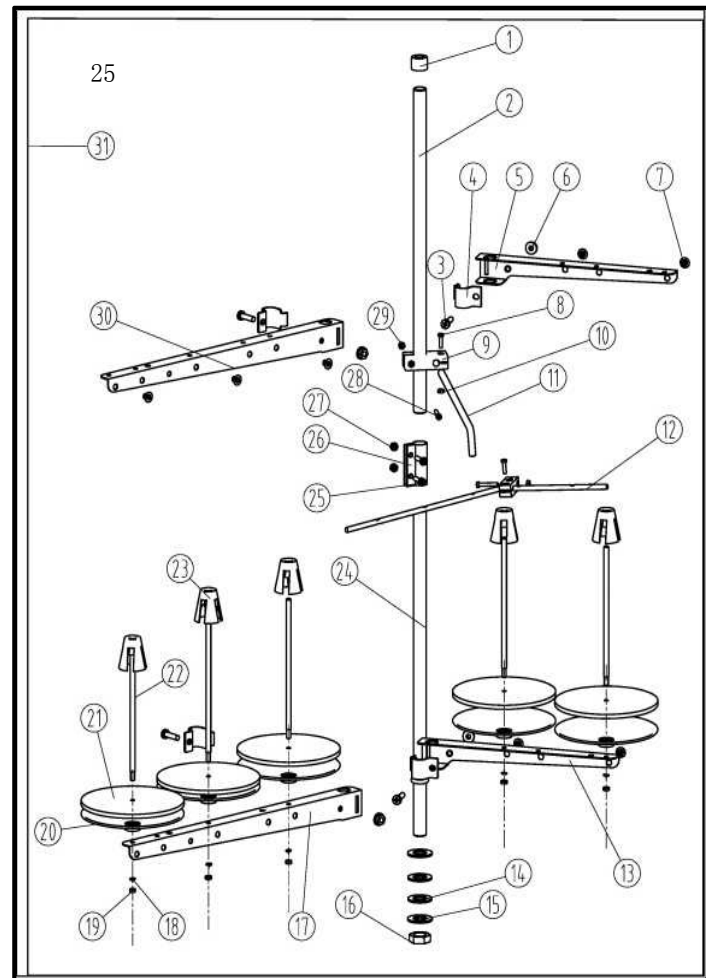
二十三、接线电磁铁部件/solenoid assemblies

序号 No	零件号 Parts No.	参考零件号 Ref. Part. No.	名称	Description	数量 Number
1	30212183		连接板	bed pin	1
2	N01012		螺母M6	pin	2
3	302S20014		螺钉	screw	1
4	30212190		连杆	bed pin	1
5	301S20030		螺钉	screw	1
6	30104066		固定块	Fixed block	1
7	30108004		挡圈	plug	1
8	30102111		导向轴	washer	1
9	301S11023		螺钉	screw	2
10	30108006		挡圈	Retaining ring	1
11	201S14002		螺钉	screw	1
12	S05068		螺钉	screw	1
13	S05068		螺钉	screw	2
14	3101207300		推板组件	dead plate	1
15	31012090		感应支架	stents	1
16	30127058		弹簧	cscrew	1
17	30104006		曲柄块	sticker	1
18	31012071		换向杆	The reversing lever	1
19	310S20008		轴位螺钉	screw	1
20	3103000700		剪线钢丝软轴	Wirerope	1
21	31012072		拉板	Pull	1
22	31012077		换向垫片	spacer	1
23	S01004		螺钉M4x7.8	screw	2
24	S01004		螺钉M4x7.8	screw	1
25	31012025		钢丝固定片	stator	1
26	31012070		安装板	dead plate	1
27	30112108		铜片	sheet copper	1
28	30130017		磁块	magnetic iron	1
29	301S11040		螺钉M4x3	screw	2
30	303959		上盖板(喷漆)	cover	1
31	S04010		螺钉M4x5.5	screw	4
32	114S20005		螺钉	screw	1
33	30112185		防尘压板	Dust depressor	1
34	30122105		防尘罩	Dust cover	1
35	114S16008		螺母	nut	2
36	W01006		垫片	gasket	1
37	W02002		弹性垫片	gasket	1
38	30130046		电磁铁芯	Electromagnetic iron core	1
39	11322008		减震垫	cushioning	1
40	31030007		接线电磁铁框	Electromagnet box shear line	1
41	3103000700		剪线电磁铁组件	Connect the wire	1
42	13822010		电磁铁下垫片	gasket	1
43	302S16010		螺母M6	nut	1
44	30212184		支架	stents	1
45	S01004		螺钉M4x7.8	screw	2
46	30122108		防尘罩	Dust cover	1
47	30112188		防尘压板	Dust depressor	1
48	S01004		螺钉M4x7.8	screw	2
49	31030013		安全开关	Safety switch	1
50	S04010		螺钉M4x5.5	screw	2
51	30212182		下安装板	dead plate	1
52	S05019		螺钉	screw	2
53	W02004		弹性垫片	gasket	2
54	31011010		电磁铁罩壳	cover	1
55	W01001		垫片	gasket	3
56	S01004		螺钉M4x7.8	screw	3
57	S05005		螺钉M5x12	screw	3
58	001134		O型圈	o-type ring	2
59	N01027		螺母M6	nut	1



二十四、电控部件/Electronic control assemblies

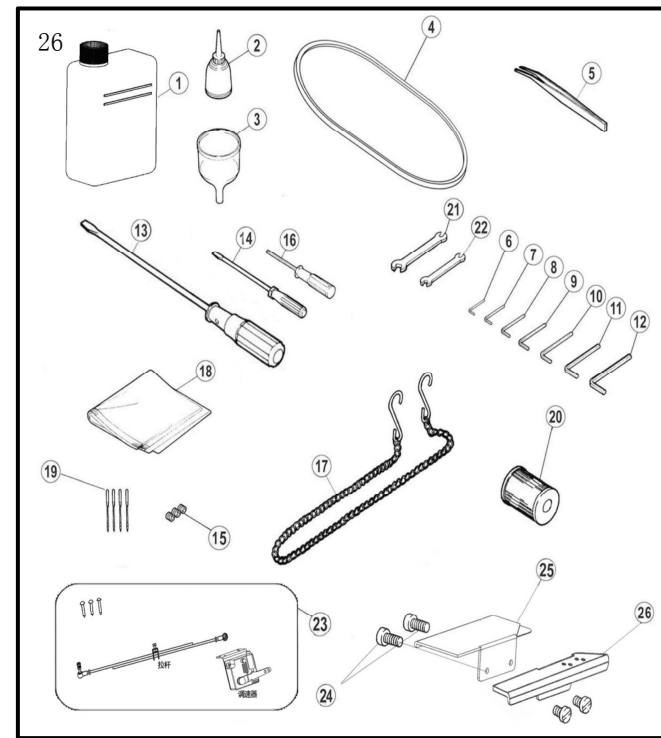
序号 No	零件号 Parts No.	参考零件号 Ref. Part. No.	名称	Description	数量 Number
1	3103001000		LED灯	LED light	1
2	3103001000		缝缝光电伺服电机	electrical machine	1
3	S05068		螺钉M5x20	screw	4
4	95300018		光栅组件	plug	1
5	21111018		塑料logo	logo	1
6	30111035		线夹	clip	2
7	S04010		螺钉M5x5.5	screw	2
8	310S17001		螺钉	screw	2
9	3103000500		电控组件	Electrically controlled	1
10	S05068		螺钉M5x20	screw	1
11	31011002		电控罩壳	Electrically controlled housing	1
12	302S13001		螺钉M5x35	screw	1
13	S05004		螺钉M5x14	screw	2
14	S05003		螺钉M5x10	screw	1



二十五、线架部件/Thread pool assemblies

序号 Ref. No	公司零件号 No	Part	参考零件号 Ref. Part. no	名称	Description	数量 Number
1	20131019			棒置	Rod Cap	1
2	20131001			上管	Upper thread column	1
3	20131020			导线环螺钉	Screw	4
4	20131016			导线环	Thread pool tray bracket	1
5	20131016			导线架	Thread pool tray bracket	1
6	201516006			导线环螺母	Thread guide hook nut	4
7	20131018			过线环	Thread guide hook	5
8	20131021			棒架螺钉	Screw	2
9	20131009			棒架	Clamp plate	1
10	201S16004			螺母	Nut	4
11	20131011			导线棒	Thread guide bar	1
12	30113019			过线棒	Thread guide	4
13	20131017			托线架	Thread pool tray bracket	1
14	20122049			防震垫	Plate dog link washer	2
15	20128025			下管垫圈	Lower washer	2
16	201S16005			螺母	Nut	1
17	20131004			托线架	Thread pool tray bracket	1
18	20128018			托线架	Washer	5
19	201S16004			螺母	Nut	4

20	20131007		托盘	Spool tray	5
21	20131010		托盘垫	Spool tray cushioning	5
22	20131006		托盘棒	Spool pin	5
23	20131008		托盘定位套	Spool Cushion	5
24	20131004		托线架	Thread spool tray bracket	1
25	S04050		螺钉 M5×15	Screw	2
26	20131003		套	Bushing	1
27	N01030		套螺母	Nut	2
28	20131022		棒架螺钉	Screw	2
29	201S16004		螺母	Nut	4
30	20131015		导线架	Threadspooltray bracket	1
31	20131074		线架组件	Thread stand component	1



二十六、附件/Accessories assemblies

序号 Ref. No	公用件号 No	Part	参考件号 Ref. Part. no	名称	Description	数量 Number
1	20131037			油壶 (大)	oil container	1
2	20131038			小油壶 (尖端)	oil ler	1
3	20131039			漏斗	oil funnel	1
4	30135004			皮带 (非直驱专用)	leather belt	1
5	20131051			镊子	tweezers	1
6	30131007			内六角扳手 (1.5mm)	allen key driver/1.5mm	1
7	20131046			内六角扳手 (2mm)	allen key driver/2mm	1
8	30131010			内六角扳手 (2.5mm)	allen key driver/2.5mm	1
9	30131012			内六角扳手 (3mm)	allen key driver/3mm	1
10	20131047			内六角扳手 (4mm)	allen key driver/4mm	1
11	20131056			内六角扳手 (5mm)	allen key driver/5mm	1
12	30131026			内六角扳手 (6mm)	allen key driver/6mm	1
13	20731047			螺丝刀 (大)	screwdriver (large)	1
14	10131004			螺丝刀 (小)	screwdriver (small)	1
15	S10005			螺钉 M3×3	screw	3
16	20131044			内六角扳手 (1.5mm直柄)	allen key driver/1.5mm	1
17	30131018			链条 (非直驱、DI专用)	chain	1
18	10131005			机头罩	dust cover	1
19	30117001			机针	needle	4
20	20136001			滤油器	Filter element	1
21	30131005			扳手 (7mm-9mm)	wrench/(7mm-9mm)	1
22	30131006			扳手 (8mm-10mm)	wrench/(8mm-10mm)	1
23	3103000500			直驱控制器配件	DI Special Part	1
24	S01060			螺钉 M6×10	screw	4
25	31012054			工作台 (左)	machine table(left)	1
26	31012053			工作台 (右)	machine table(right)	1

