



JK-8669B

Parts Manual

零件手册

 **杰克缝纫机**
JACK SEWING MACHINE
| [HTTP://WWW.CHINAJACK.COM](http://www.chinajack.com) |

目录/CONTENTS

使用说明/Use Manual	1
套筒部件/Bushing assembly	5
一、车壳部件/Frane assembly	7
二、罩壳部件/Cover assembly	9
三、缝台部件/Cloth plate assemblies	11
四、下轴部件/Hook shaft assemblies	13
五、上轴部件/Main shaft assemblies	15
六、针杆部件/Needle bar assemblies	17
七、弯针部件/Looper drive mechanism	19
八、护针部件/Feed mechanism	21
九、送布部件/Need mechanism	23
十、压脚部件/Presser form assemblies	25
十一、喂针部件/Needle feeding assemblies	27
十二、松线部件/Thread loosening assemblies	29
十三、过线部件/Thread loosening assemblies	31
十四、打线凸轮部件/Cam assemblies assemblies	33
十五、润滑部件/Lubrication assemblies	35
十六、油泵部件/Oil pump assemblies	37
十七、硅油盒装置部件/Silicon oil device assemblies	39
十八、线架部件/Thread apool assemblies	41
十九、油盘托板部件/Oil plate assemblies	43
二十、专用件部件/Specific parts	45
二十一、02BB 专用件部件/Specific parts	47
二十二、35AC、35B Ft切刀专用件/35AC35BFt device	49
二十三、35AC 挡料专用件部件/35AC Specific parts	51
二十四、后凸轮架部件/After Fight Cam Assemblies	53
二十五、后凸轮部件/After Cam Assemblies	55
二十六、DI 专用部件/DI Specific parts	58
二十七、附件部件/Accessories assemblies	60

供油

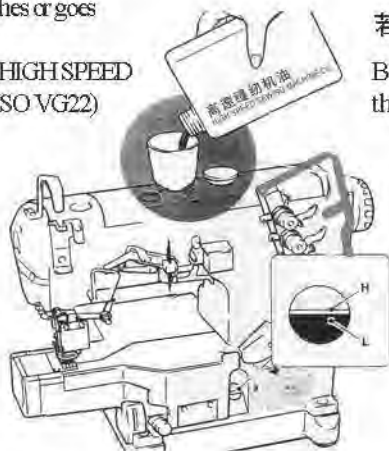
加油量是使油面处于H线与L线之间为好。当油面低于L线时，就要及时补充机油。机油请使用杰克公司指定的[HIGH SPEED SEWING MACHINE OIL] (ISO粘度与VG22相同)。

Lubrication

After filling the oil pan, the oil level should lie between (H) and (L) lines.

Add oil, when the oil level reaches or goes below (L) line.

Note: Use Jack designated oil [HIGH SPEED SEWING MACHINE OIL] (ISO VG22)



给HR装置供油

为了防止布纤维或线被切断，请尽早给HR装置供油。

注：硅油请使用本公司指定的冷却油。[请使用日本UNION CARBIDE (株) 的UCCL-45(10)]

Filling the HR device with silicon oil

Fill the device with oil before it is too low in order to prevent needle thread breakage and fabric damage.

Note: Use recommended silicon oil [UNION CARBIDE CORPORATION] UCCL-45(10)



穿线的方法

- (1)请掀起护眼板，打开机盖（3处）。
- (2)抬起弯针挑线架。
- (3)把机上原有的线与缝线用线绑结在一起。
- (4)按下弯针挑线架，弯针挑线架回到原位。
- (5)针线 将针线拉到针眼前，剪掉结头再次穿好针线。
- (6)弯针线，上装饰线直到拉出接头迁来后，用剪刀剪齐接头，整齐。

Threading

- (1)Open the eye guard and three covers.
- (2)Take up the bracket.

(3)Knot the preset thread and the thread being used together to thread the machine.

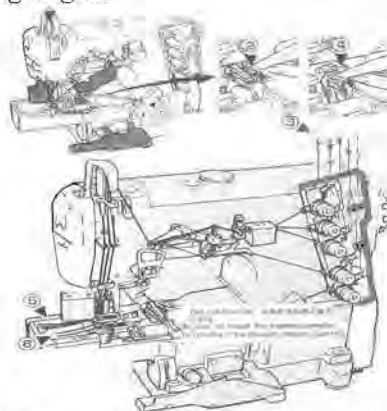
(4)Press down the bracket after threading. The looper thread take-up comes back.

(5)Needle tread Trim the knots off neatly before passing through the eye of the needle to thread.

(6)Looper thread , Top cover thread Trim the knots off neatly after passing through the eye of the looper.

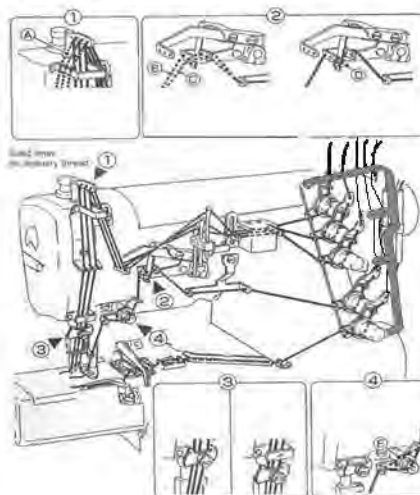
若机上原来没有线，请参照穿线图正确进行穿线。

Be sure to thread the machine correctly by referring to the threading diagram.



穿线图（2针，3针用） Threading diagram

- ① 若使用伸缩大的线时，为点线A的方向。(通常为实线方向)
Broken lines(A) For more stretchable thread.
- ② 装饰线太松弛时用B，用B仍松弛时用C，装饰线太紧时用D
If the top cover thread is too loose, use broken line (B). If the top cover thread is still too loose after thread with broken line (B), use broken (C). If the top cover thread is too tight, use broken line (D).
- ③ 穿伸缩大的线时 穿伸缩小的线时
For more stretchable thread For less stretchable thread
- ④ 穿伸缩大的线时用点线E方向
Broken lines (E) For more stretchable thread
- ⑤ 若使用伸缩大的线时，为点线F方向。(通常为实线方向)
Broken lines (F) For more stretchable thread.

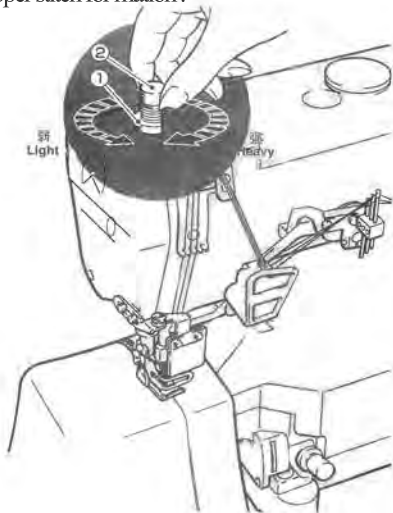


压脚压力调节

压脚压力的调节是松开螺帽①和旋转螺丝②来进行的。在能取得平稳针脚的范围內，尽量调得松一些为好。

Adjusting the presser foot pressure

Loosen adjusting (1) nut and turn adjusting screw(2) to adjust the presser foot pressure. It should be as light as possible, yet be sufficient to obtain the proper stitch formation.

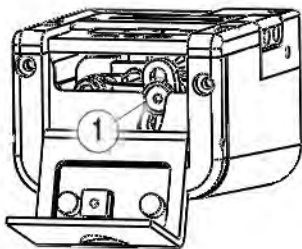


差动比的调节

差动比是通过松开螺钉①后，把螺钉①上下移动来进行调节的。调节后拧紧螺钉①。

Adjusting the diff. feed ratio

Loosen nut (1) and move the lever up (2) and down to obtain the correct differential feed ratio, then tighten nut (1).

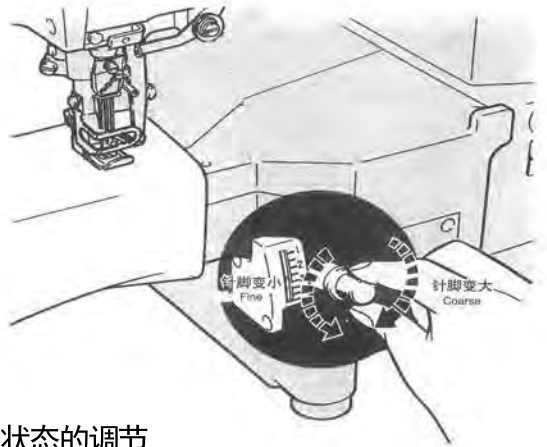


针脚长度的调节

摁住针距调节按钮，旋转手轮，针距调节按钮会陷进更深处。这时边摁住针距调节按钮，边转动手轮，使校准标记对准所希望的数值。针脚长度调节。注：针脚长度的调节务必请在调节差动比之后进行。

Adjusting the stitch length

While pressing the push button, turn the handwheel to seek the position at which the push button goes further into the depth. Then keeping the button pressed, turn the handwheel and set the desired scale to the aligning mark. Note: Stitch length adjustment must only be made after the differential feed ratio has been changed.

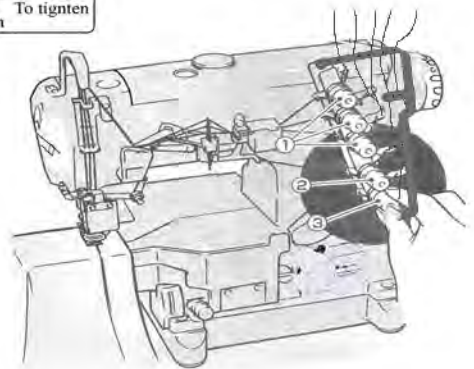


线状态的调节

线状态的调节是用针线状态螺帽①，上装饰线状态螺帽②，下针状态螺帽③来进行调节。

Thread tension

Make tension adjustments with the needle thread knob (1), top cover thread knob (2), and looper thread knob (3)

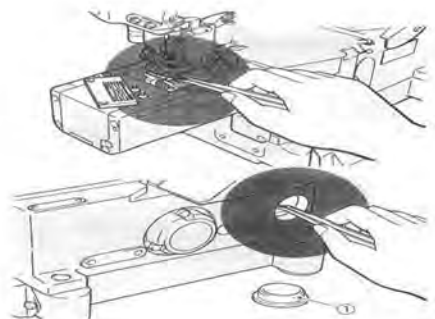


缝纫机的清扫

缝纫机的清扫，以针板槽及送布牙周围为主。

Cleaning the machine

Mainly the slots of the needle plate and the feed rows should be cleaned.

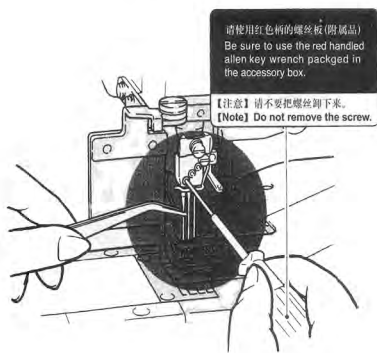
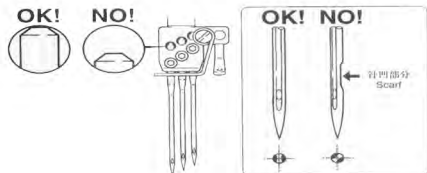


换针

1. 准确辨认针的前后，请将针凹向着后方，即背向操作者进行安装。
2. 针要牢固的插到孔的最深处。

Replacing the needle

1. Check the needle carefully to see that the scarf is turned to the rear of the machine.
2. Insert the needle to the proper depth, and fasten securely.



检查机油的循环

Cleaning the oil circulation

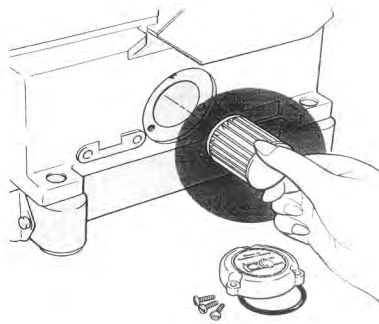


油过滤器的检点与更换

- 机油过滤器，请于每6个月来点检或更换一次。
- 检点和更换每隔6个月进行一次！

Cleaning and replace the oil filter

- Check and replace the oil filter every six months.
- Check and replace every 6 months !

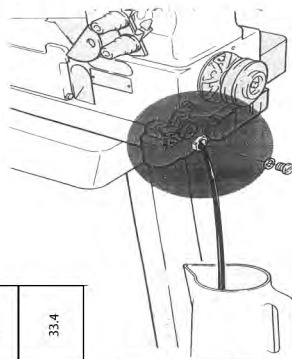


换机油

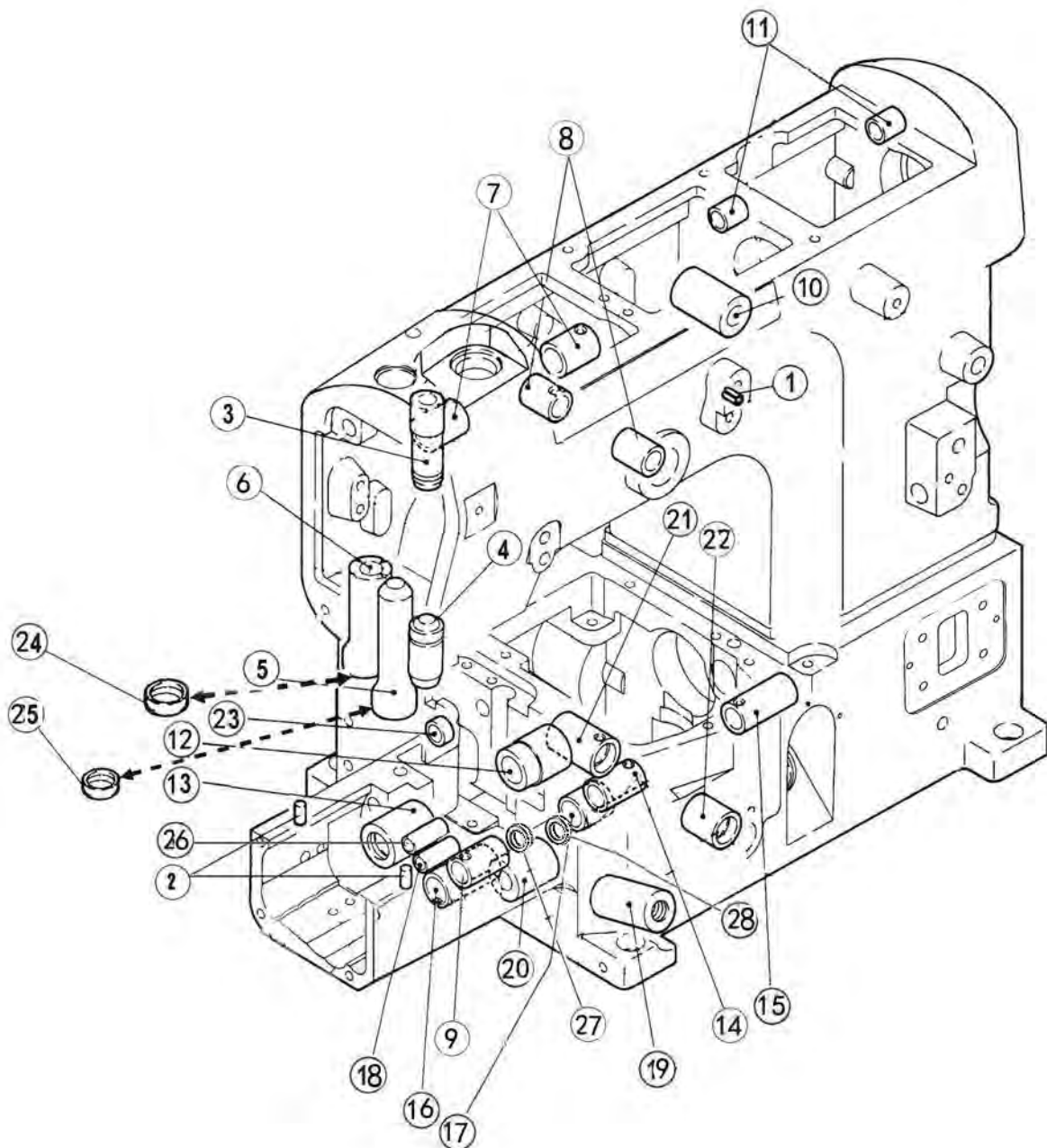
机油的更换，请在使用开始一个月后更换一次。然后，每6个月更换一次。

Replacing the oil

Replace the oil one month after the first use and every six months thereafter.

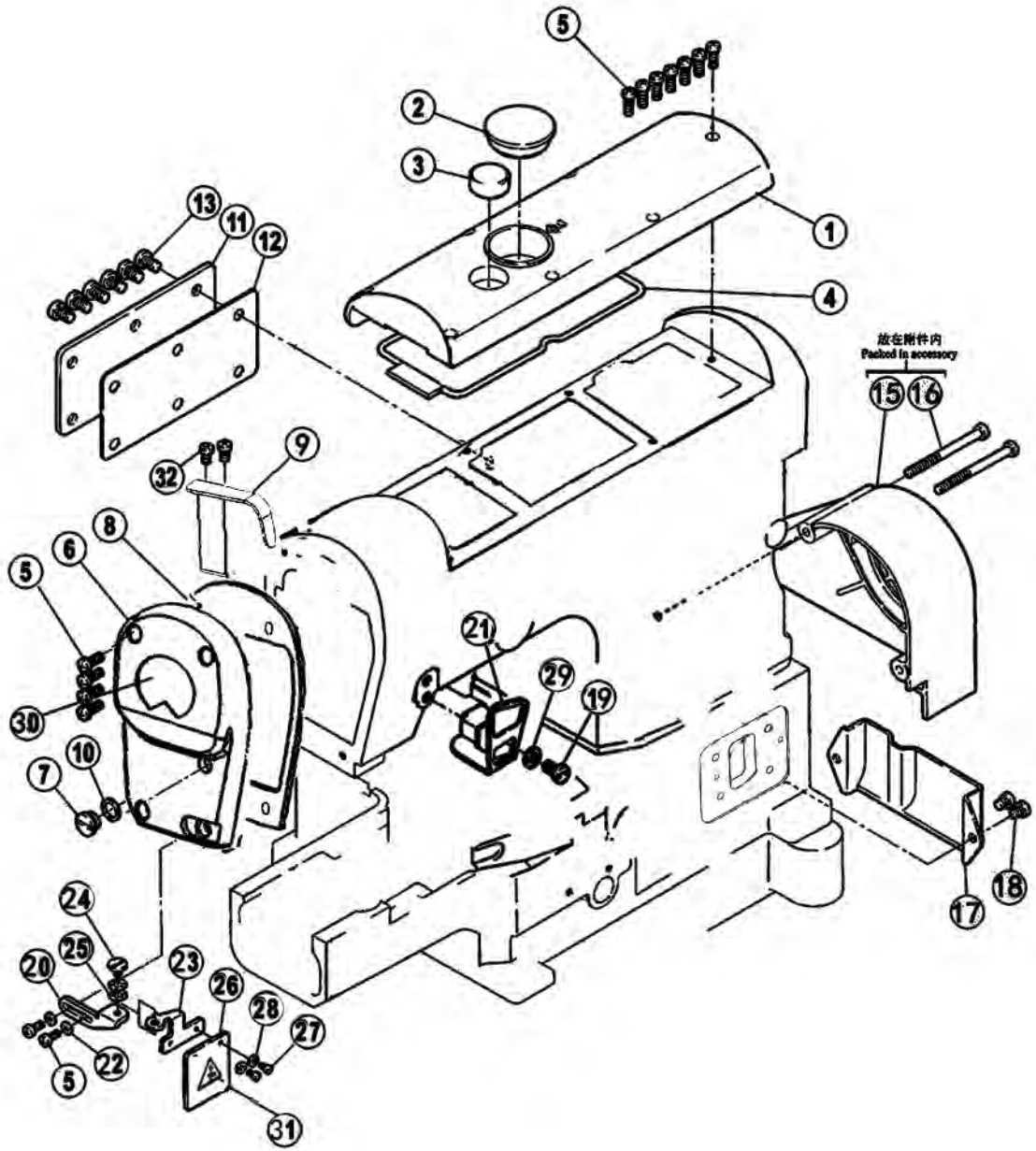


调整标准表 VALORES DE AJUSTE	针号对照表 Tabla de comparación de grososres de aguja epuivalentes										标准使用的缝纫针 Aguja estándar							
	机型	× □ □ □	8.6	2.7-2.9	8.2	5-5.3	17	6.2	0.8-1.2	33.4	针杆行程	×	□	□	DCX27	DCX27	DCX27	
8669B-01GB																		
8669B-35AC		364																
8669B-02BB																		
8669B-01GB																		
8669B-35AC																		
8669B-02BB																		
日本针号 (Organ) Grosor de aguja japonés (Organ)	#	9	10	11	14	16	18	21										
德国针号 (Schmetz) Grosor de aguja métrico (Schmetz)	Nm	65	70	75	90	100	110	130										

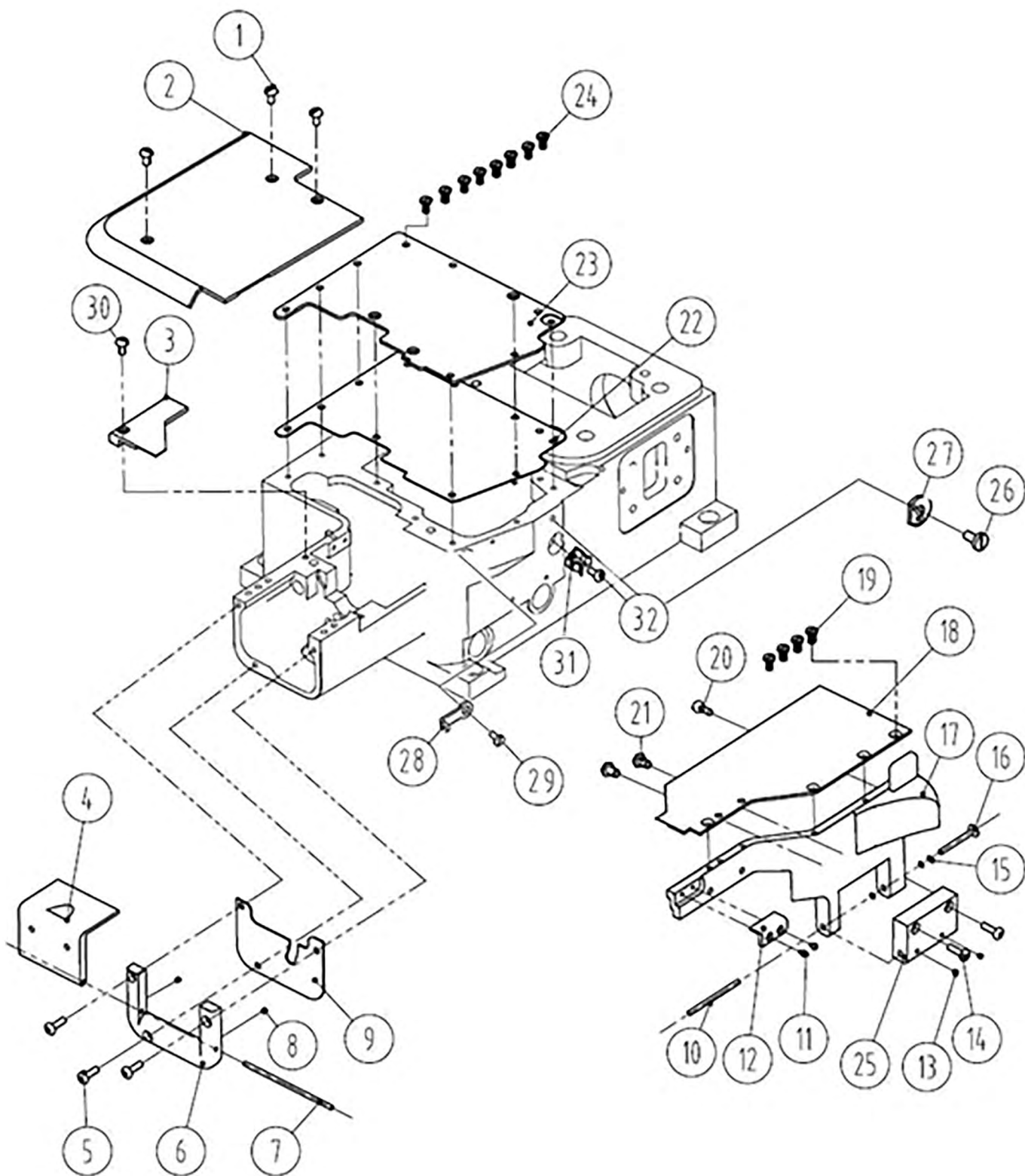


套筒部件/Bushing assemblies						
序号	No.	件号 Parts No.	参考件号 Ref.Part.No.	名称	Description	数量 Number
1		P03005		销4x8	pin	1
2		30226004		针板销(金工)	pin	2
3		30203004	250146	针杆上套	sleeve	1
4		30203005	251003	针杆下套	sleeve	1
5		30203024	250147	压脚轴套	sleeve	1
6		30203025	250136	喂针轴套	sleeve	1
7		20103046	250141	送布轴套	sleeve	2
8		30103106	210297	过线座轴套筒	sleeve	2
9		30203014		抬牙轴前套	sleeve	1
10		30103036		压脚扳手轴套筒	sleeve	1
11		30103037		抬压轴套筒	sleeve	2
12		30203003	250138	下主轴后套	sleeve	1
13		30203002	250137	下主轴前套	sleeve	1
14		30203015		抬牙轴中套	sleeve	1
15		30203016	204089	抬牙轴后套	sleeve	1
16		30203017	250140	差动牙前套	sleeve	1
17		30203018	250141	差动牙后套	sleeve	1
18		30203006	250145	护针轴套	sleeve	1
19		30203012		调节座套	sleeve	1
20		30203011	250139	针距轴套	sleeve	1
21		30203010	250144	下弯针轴后套	sleeve	1
22		30203009	250191	下弯针轴前套	sleeve	1
23		30203035		滑杆轴套	sleeve	1
24		20622019	210586	油封	plug	1
25		30122039		油封	plug	1
26		30203039	0628	护针轴套	sleeve	1
27		30222011		油封	plug	1
28		30222010		油封	plug	1

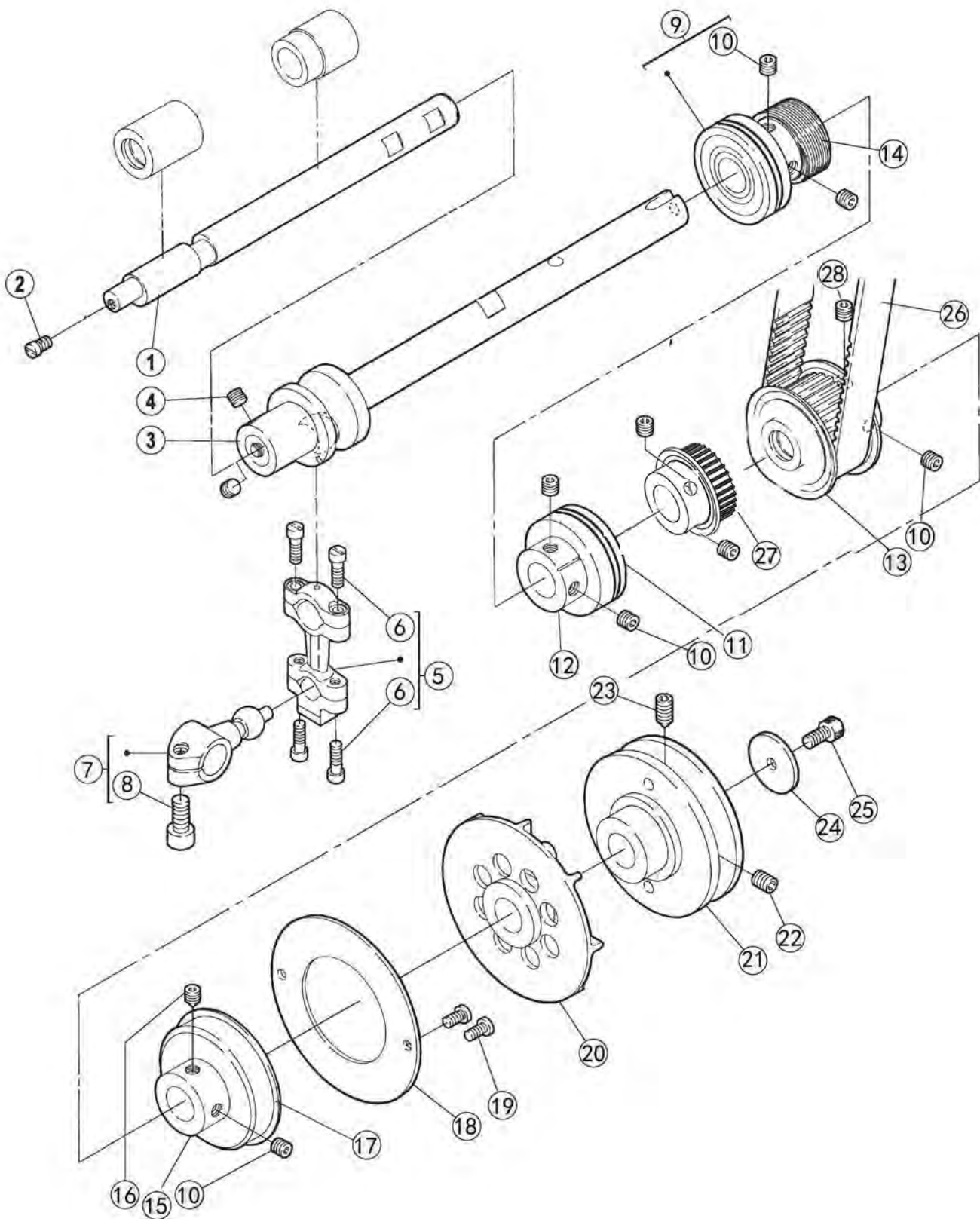
一、车壳部件/Frame assemblies						
序号	No.	件号 Parts No.	参考件号 Ref.Part.No.	名称	Description	数量 Number
1		30111001	206590	油标	oil sight gauge	1
2		301S30001	250117	机壳螺钉	bed pin	4
3		30122004	240228	油封	plug	1
4		30122006	240052	油堵	plug	2
5		21022007		油封	plug	1
6		20122009	210003	油封	plug	1
7		30222002	209084	油封	plug	1
8		30122012	240226	密封盖	plug	1
9		30222003	240045	油堵	plug	1
10		30112001	255002	滤油网	filter	1
11		H01001	240001	滤油网挡圈	ring	1
12		30223006	255108	油销	pin	1
13		20131063		警示牌	sticker	1
14		W02003		垫圈10（金工）	washer	4
15		30112002	250020	盖板	cover	1
16		S01002	7017	螺钉M4×6.5	cscrew	2
17		30122010	240127	油堵	mark	1
18		S01004	7018A	螺钉M4×5.5	screw	1
19		W01001	303448	垫圈4	washer	1
20		S10013	7152	螺钉M6×6	screw	2
21		S05001		螺钉M10×27.5（金工）	screw	4
22		S10006	4539	螺钉M5×6	screw	2
23		20622019		油封	plug	1
24		100622		机壳上节	chassis	1
25		100058		机壳下节		1
26		21012018		油封垫	washer	1



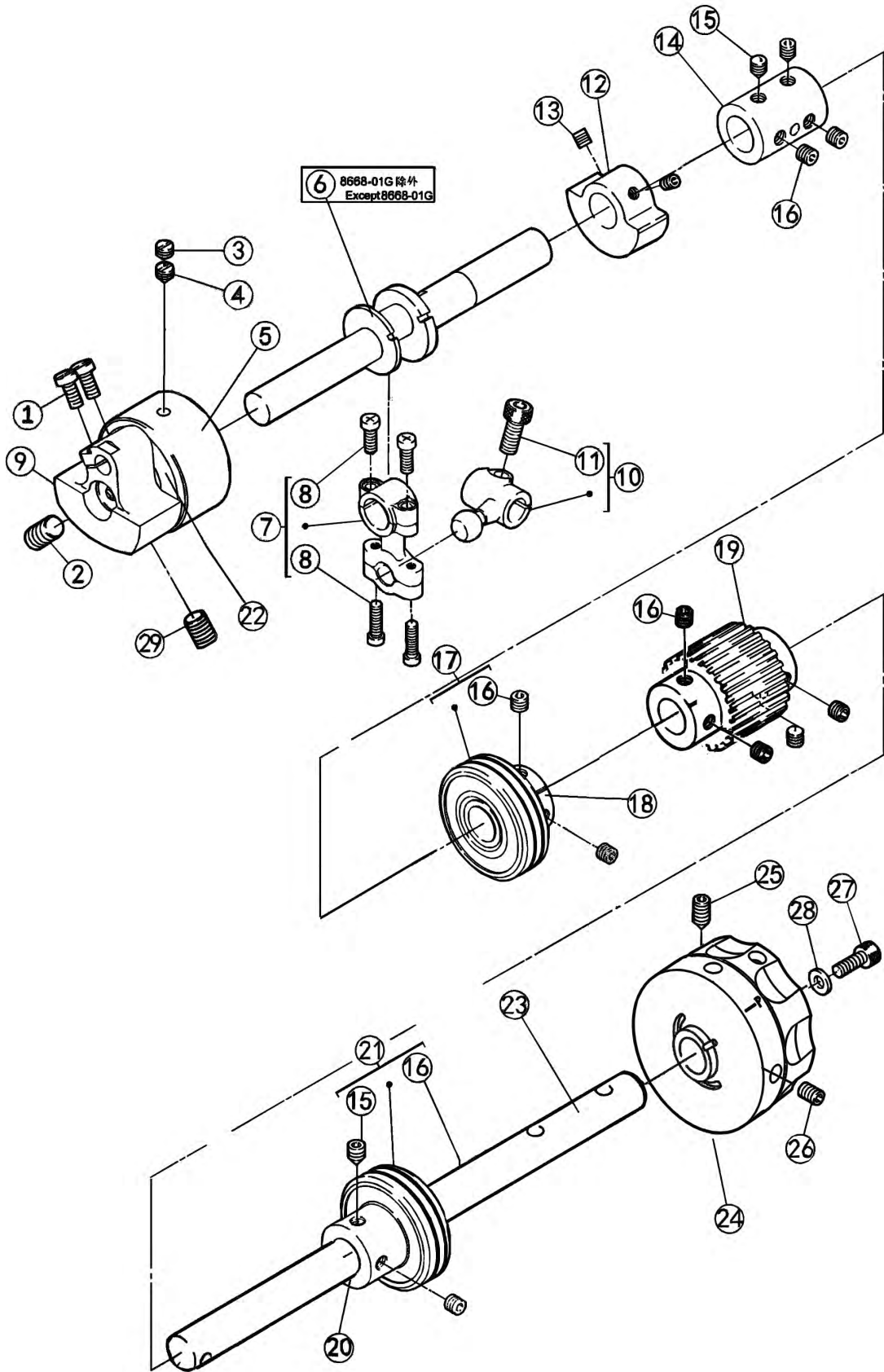
二、罩壳部件/Cover assemblies						
序号	No.	件号 Parts No.	参考件号 Ref.Part.No.	名称	Description	数量 Number
1		301433	250150-YD	上盖(喷漆)	arm cover(top)	1
2		30122012	240226	密封盖	plug	1
3		30111022	179107-05	油标盖	oil sight window	1
4		30122013	250019	上盖密封圈	o ring	1
5		S04019	7021	螺钉M4×12	screw	13
6		301432	250151DYD	机头左盖(喷漆)	arm cover(rear)	1
7		301S11001	5242	机头左盖螺钉	screw	1
8		30222019	250153	机头左盖密封垫	o ring	1
9		30112102	250021	针杆护罩	needle bar cover	1
10		30128001	240263	垫圈	washer	1
11		30212002	250154	后盖板	arm cover(rear)	1
12		30222004	250155	后盖板垫	gasket	1
13		S01060	7052	螺钉M6×10	screw	6
15		30111011	250156—TB	带轮护罩	plulley cover	1
16		207S11016	7075	螺钉M4×16	screw	2
17		30212004	250159	防护板	air guide	1
18		S01065	7079	螺钉M5×6	screw	2
19		S01060	7052	护罩螺钉	screw	1
20		30112004	250255	护罩座	eccentric pin	1
21		30112006	250023	过线护罩	threan takeup cover	1
22		W01002	303448	垫圈4	sticker	2
23		30112005	250256	护罩架	bracket	1
24		301S20001	7066	护罩座固定螺钉	screw	1
25		W03001	210307	波形垫圈	washer	2
26		30111003	250257	有机玻璃罩	eye guard	1
27		S01006	7009	螺钉M3×4.5	screw	2
28		W01002	202875	垫圈	sticker	2
29		W02004	303335	垫圈6	sticker	1
30		30137004		商标牌	sticker	1
31		30137005		护罩警示牌	sticker	1
32		207S11007		螺钉	screw	2



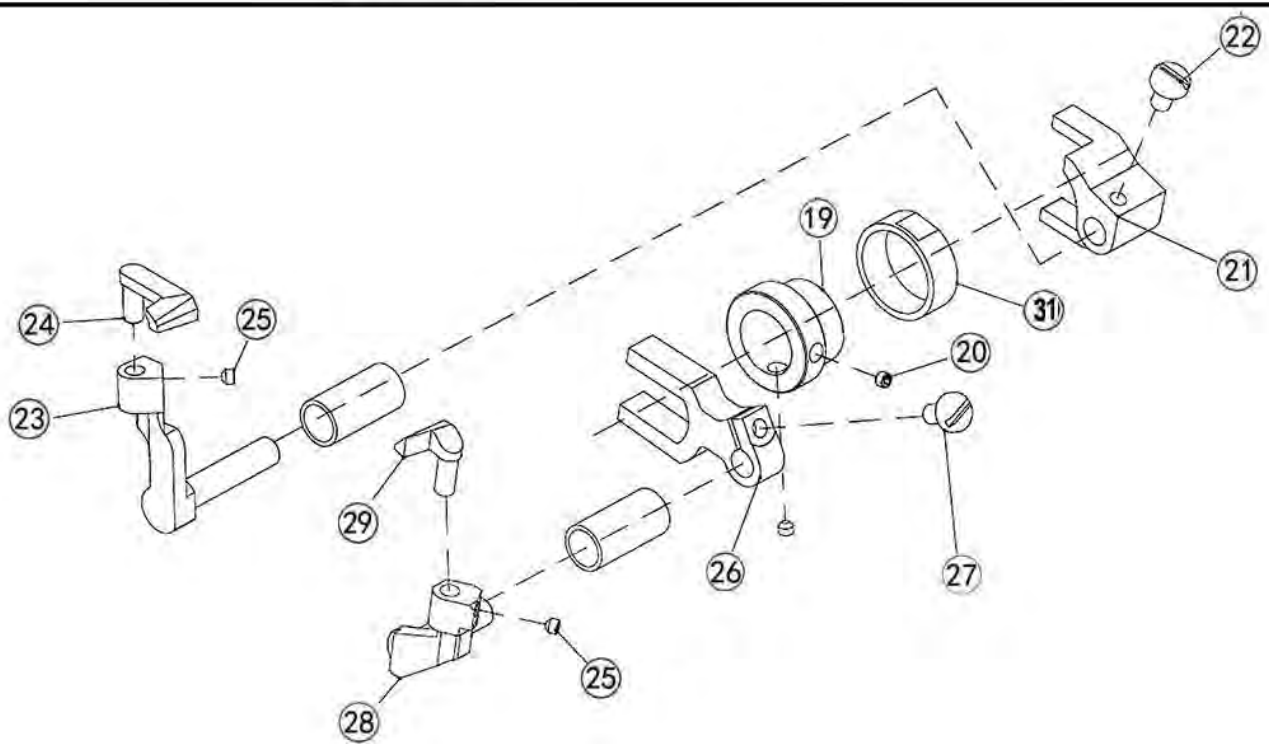
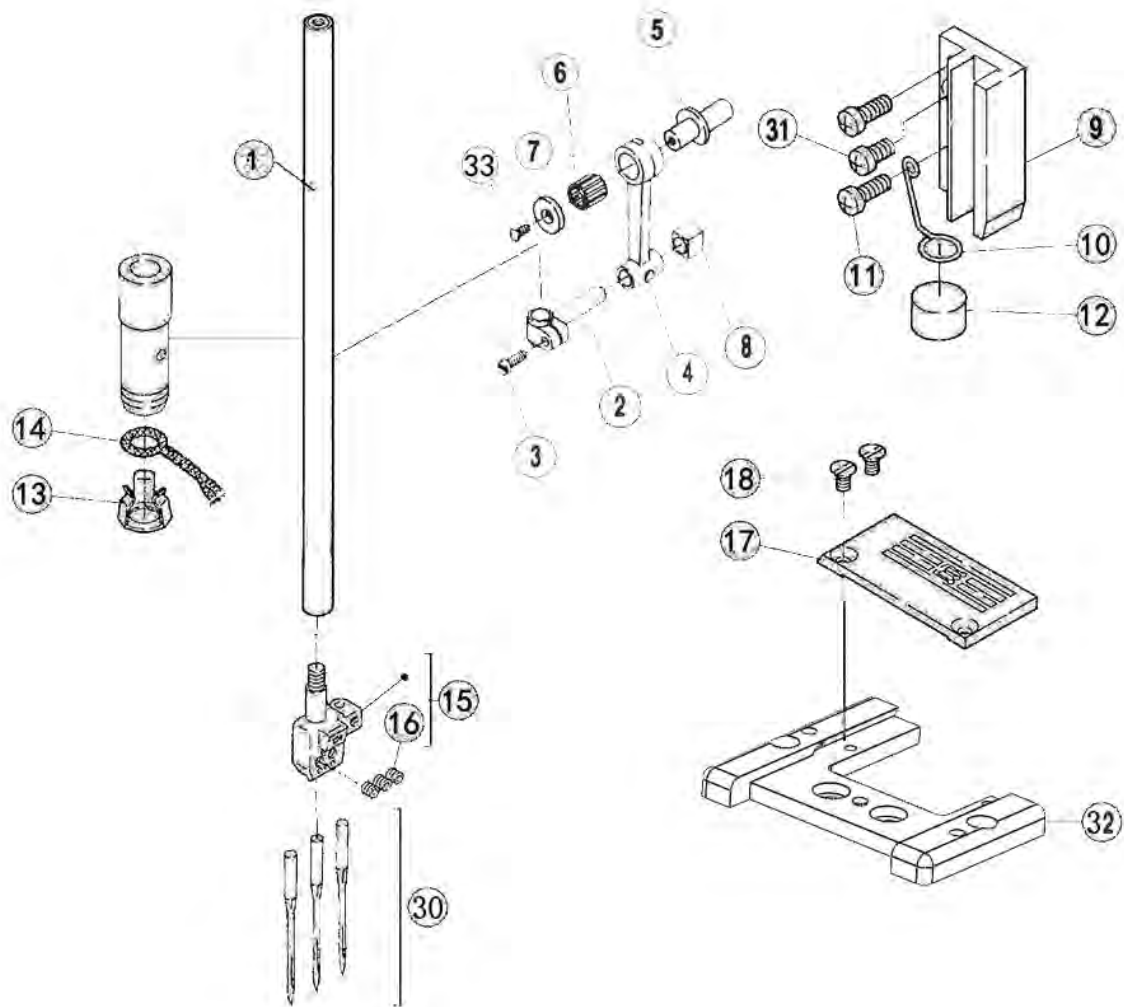
三、缝台部件/Cloth plate assemblies						
序号	No.	件号 Parts No.	参考件号 Ref.Part.No.	名称	Description	数量 Number
1		S01005	7021	螺钉M4x10	screw	3
2		302931	1549	缝台组件	bed cover	1
3		302930	1536	缝台块	bed cover	1
4		30201089	0389	左盖	cover plate assembly	1
5		207S11007	7024A	螺钉M4x7.5	screw	3
6		302877	0388	左盖板架	left cover plate rack	1
7		30226030	0330	销轴	pin	1
8		S10026	4554	螺钉M3x3	screw	2
9		30222025	0325	左盖密封垫	needle town after boards	1
10		30226013	240198	销	pin	1
11		S01006		螺钉M3x4.5	screw	2
12		30209018		针板座接块	bracket	1
13		S10005	4554	螺钉M3x3	screw	2
14		207S11016	007022A	螺钉M4x16	screw	2
15		30128002		垫片	bracket assembly	3
16		301S20002	250013	前罩缝台座螺钉	screw	1
17		30201109	1523	前罩缝台	cover before bed	1
18		30212145	1535	缝台盖板	bed cover plate	1
19		S02001	007043	螺钉M4x6	screw	4
20		30226028		卡位销钉	pin	1
21		30222006	21005	防震垫	cushion	2
22		30222023	250161	盖板垫	gasket	1
		30222027	250161	盖板垫	gasket	1
23		30212008	250160	盖板	top cover	1
24		L02001	7019	螺钉M4x8	screw	8
25		30201016		合销块	hinge	1
26		S01002		螺钉	screw	1
27		30213009		过线环	threadguide	1
28		30213045		UT过线	threadguide	1
29		S01004		螺钉	screw	1
30		S01004		螺钉	screw	1
31		30227030		卡簧	ring	1
32		S01002		螺钉	screw	1



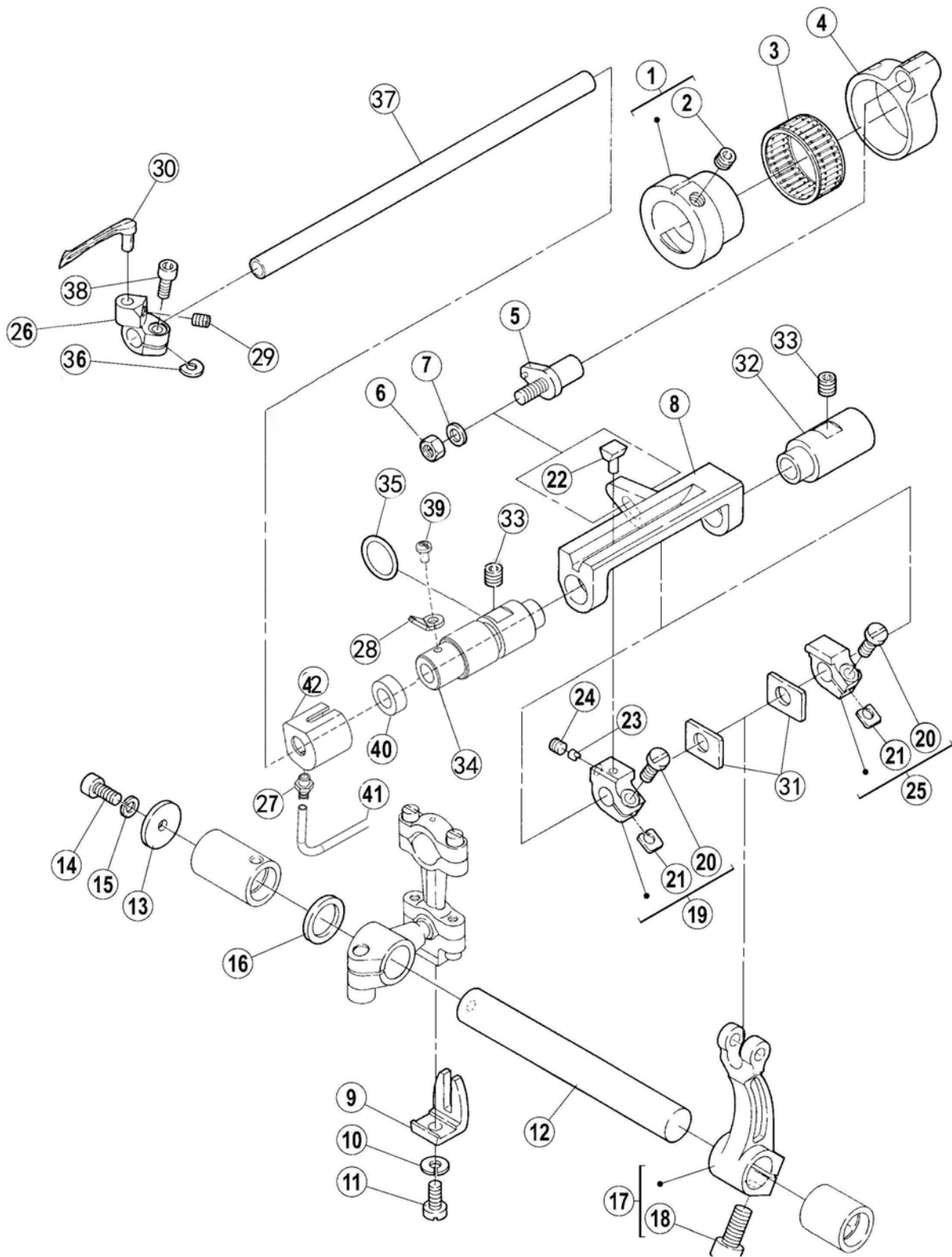
四、下轴部件/Hook shaft assemblies						
序号	No.	件号 Parts No.	参考件号 Ref.Part.No.	名称	Description	数量 Number
1		400082	250551	下前轴	crankshaft	1
2		S10016	7036	螺钉M4x5	screw	1
3		400079	250554-92	下后轴	crankshaft	1
4		S10015	7128	螺钉M6x0.75x4	screw	2
5		400070	210091-92	球连杆	connection	1
6		301S11004	5376	螺钉SM11/64*40	screw	4
7		400228	252056-92	球曲柄	crank	1
8		S05002	4534	螺钉M6x0.75x15.2	bolt	1
9		3012400300	250529A91	油封轴承	bearing	1
10		S100029	4547	螺钉M6x0.75x5	screw	8
11		3012400400	250557-91	油封轴承	bearing	1
12		30103006		中轴套	bushing	1
13		3023501700	401	后组合同步带轮	gear(lower)	1
14		30103008	250544	蜗杆	bushing	1
15		30103009	250530-91	轴承套	bushing	1
16		S12003	4555	螺钉M6x0.75x7	screw	1
17		B01003		轴承6304Z	bearing	1
18		30108001	250514	挡圈	ring	1
19		S01004	7018A	螺钉M4x7.8	screw	2
20		30201006	250556	风扇	fan	1
21		30235003	250561	皮带轮	machine pulley	1
22		S10009	4556	螺钉M6x8	screw	1
23		S12001	4541	螺钉M6x8	screw	1
24		30128005	240126	垫圈	washer	1
25		S05003	4500	螺钉M5x10	bolt	1
26		30235020	206050C	同步带	timing belt	1
27		3023501800	402	前组同步带轮	gear(lower)	1
28		S12003		螺钉	screw	1



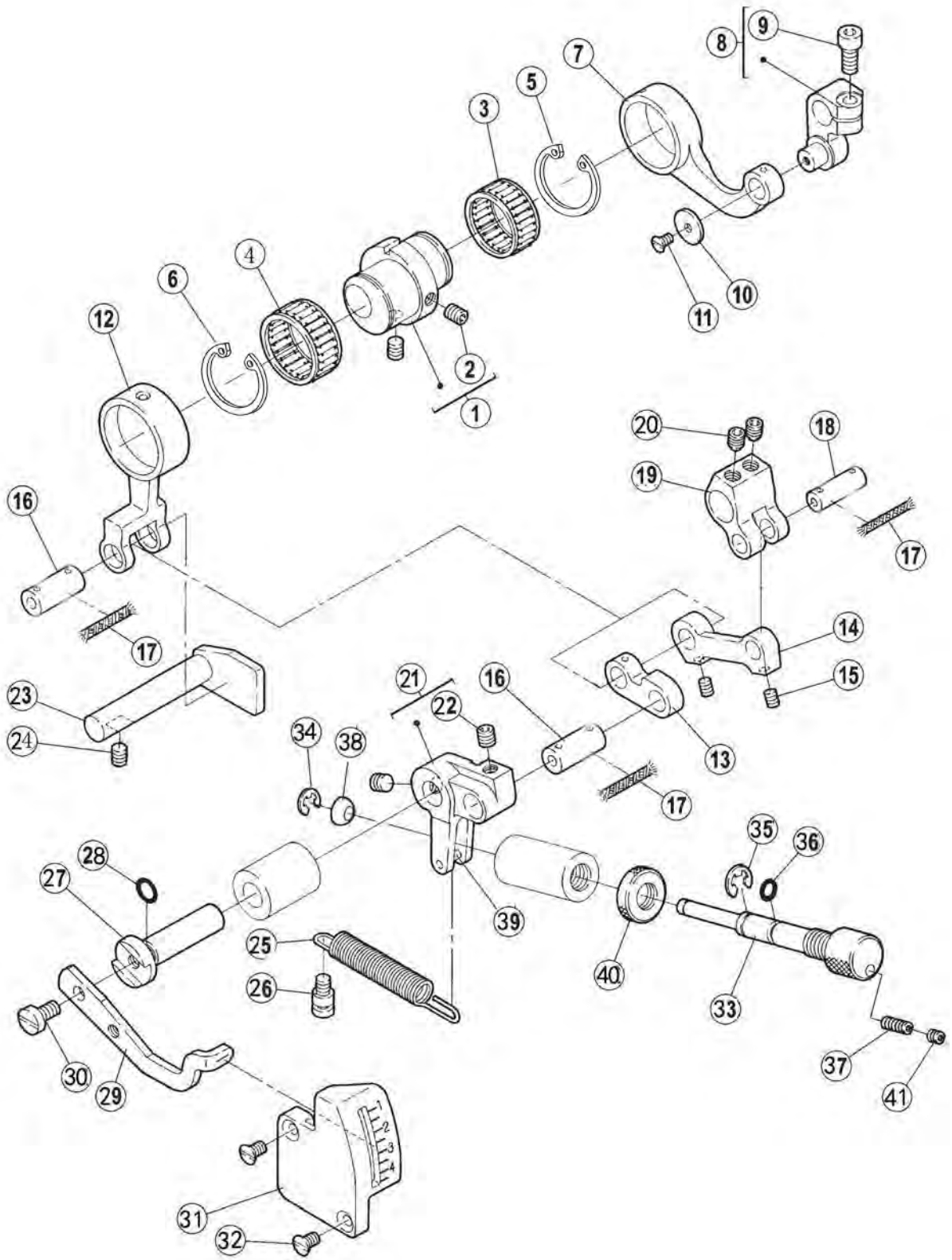
五、上轴部件/Main shaft assesmblies						
序号	No.	件号 Parts No.	参考件号 Ref.Part.No.	名称	Description	数量 Number
1		S01011	7028	螺钉M5×10	screw	2
2		301S10004	4592	螺钉	screw	1
3		S11001	7152	螺钉M6×0.75×6	screw	1
4		S08001	7153	螺钉M6×0.75×3.5	screw	1
5		30224005		针杆曲柄轴承	bearing	1
6		400065	250560A	上轴	crankshaft	1
7		400061	253500-92	连杆组件	connection assembly	1
8		S01008	007021A	螺钉M3.5×13	screw	2
9		400308		针杆曲柄	motion assy	1
10		30104006	253501A	弯针曲柄	crank assembly	1
11		S05002	4534	螺钉M6×0.75×15.2	bolt	1
12		30109003	250524	上轴平衡块	balance weight	1
13		S10002	4514	螺钉M5×5	screw	2
14		30103004	250506	接轴套	joint	1
15		S12003	4555	螺钉M6×0.75×7	screw	4
16		S10029	4547	螺钉M6×0.75×5	screw	11
17		3012400400	250529-91	油封轴承	bearing	1
18		30103012		轴承套	bushing	1
19		30235015		上轴同步带轮	gear(upper)	1
20		30103014		轴承套	bushing	1
21		3012400400	250528-91	油封轴承	bearing	1
22		B01005		轴承6203	bearing	2
23		30202004		后轴	shaft	1
24		301434	250566-YD	手轮（刻好字）	handwheel	1
25		S12001	4556	螺钉M6×8	screw	1
26		S10009	4541	螺钉M6×8	screw	1
27		S05004	4501		screw	1
28		W01004	204585	垫圈5	washer	1
29		S10004	4592	螺钉M8×1×12	screw	2



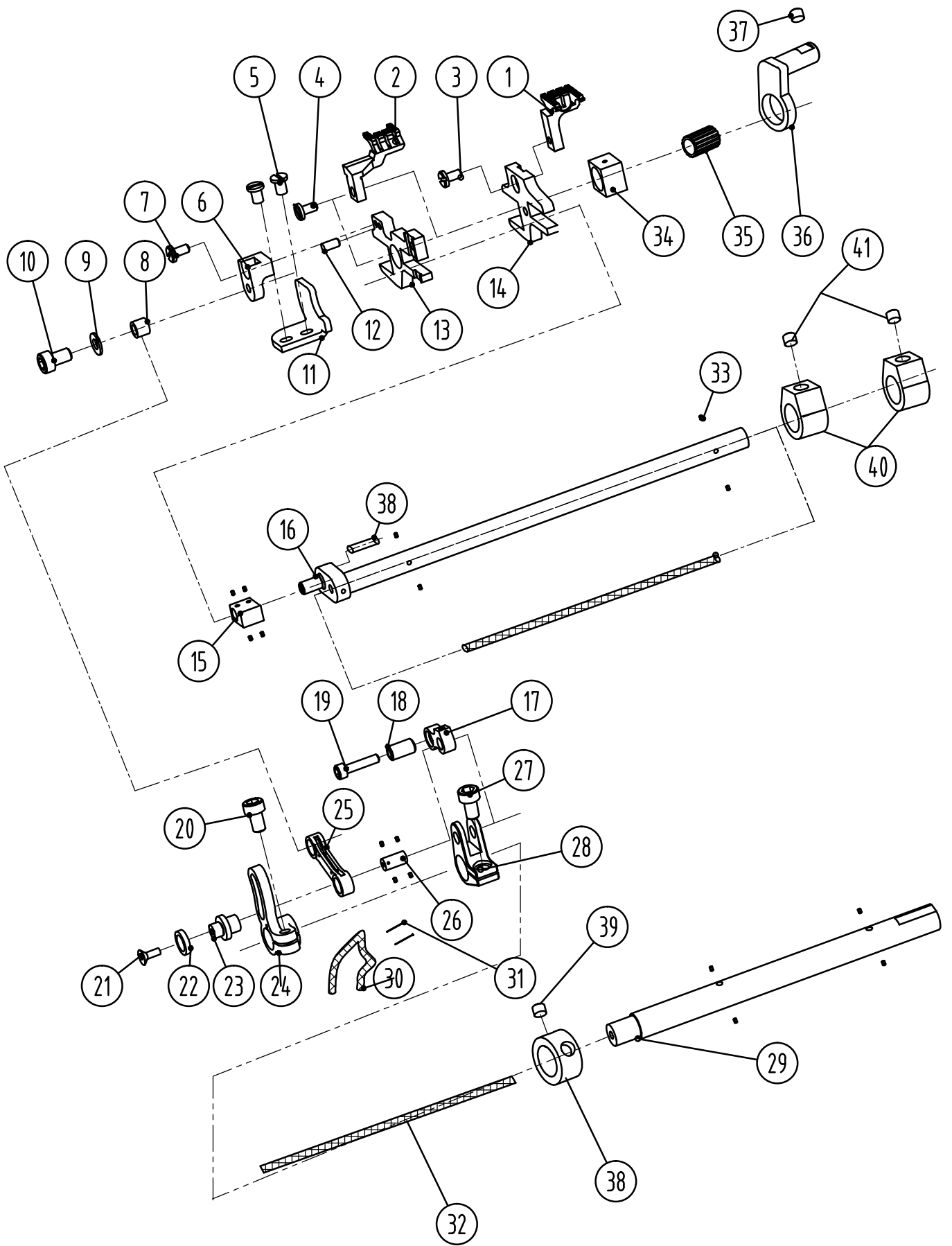
六、针杆部件/Needle bar assemblies						
序号	No.	件号 Parts No.	参考件号 Ref.Part.No.	名称	Description	数量 Number
1		30202024	251014-91	针杆	needle bar	1
2		30102009	206061	针杆轧头	needlebar clamp	1
3		301S11005	5325	针杆轧头螺钉	screw	1
4		30205002	251016	针杆连杆	link	1
5		30102050	206053	连杆偏心轴	eccentric pin	1
6		B07001	240098	轴承8×12×12	needle bearing	1
7		30128030	240101	垫圈	washer	1
8		30109004	206063	针杆滑块	guide block	1
9		30209002	251017	滑块导座	guide	1
10		30227003	251018	毛毡弹簧	latch	1
11		S01003	7021	螺钉M4×12	screw	2
12		30123002	179040-05	毛毡	sponge	1
13		30112009	206524	油线托	oil wick retainer	1
14		30123014	212186	油线	oil wick	1
15		30134001		356针古	needle holder	1
16		S10026	4554	螺钉M3×3	screw	3
17		30115067		356针板	needle plate	1
18		302S17001	005511-HC	螺钉	screw	2
19		30210005	5	挡圈	sponge	1
20		S10007	4546	螺钉M4×4	screw	2
21		30204035	4035	护针曲柄	oil wick	1
22		301S11025	7086	护针曲柄螺钉	screw	1
23		30201008	251512	后护针架	needle guard(rear)	1
24		30217002	257567	后护针	needle guard(rear)	1
25		S10007	4543	螺钉M4×4	screw	2
26		30204003	251513-92	护线曲柄	lever	1
27		S01029	7013	螺钉M3.5×7.5	screw	1
28		30201007	251514	前护线架	needle guard(front)	1
29		30217001	257568	前护针	needle guard(front)	1
30		30117001		机针	sponge	1
31		30203056		护针套筒	sleeve	1
32		30207071		针板座	bracket/needle plate	1



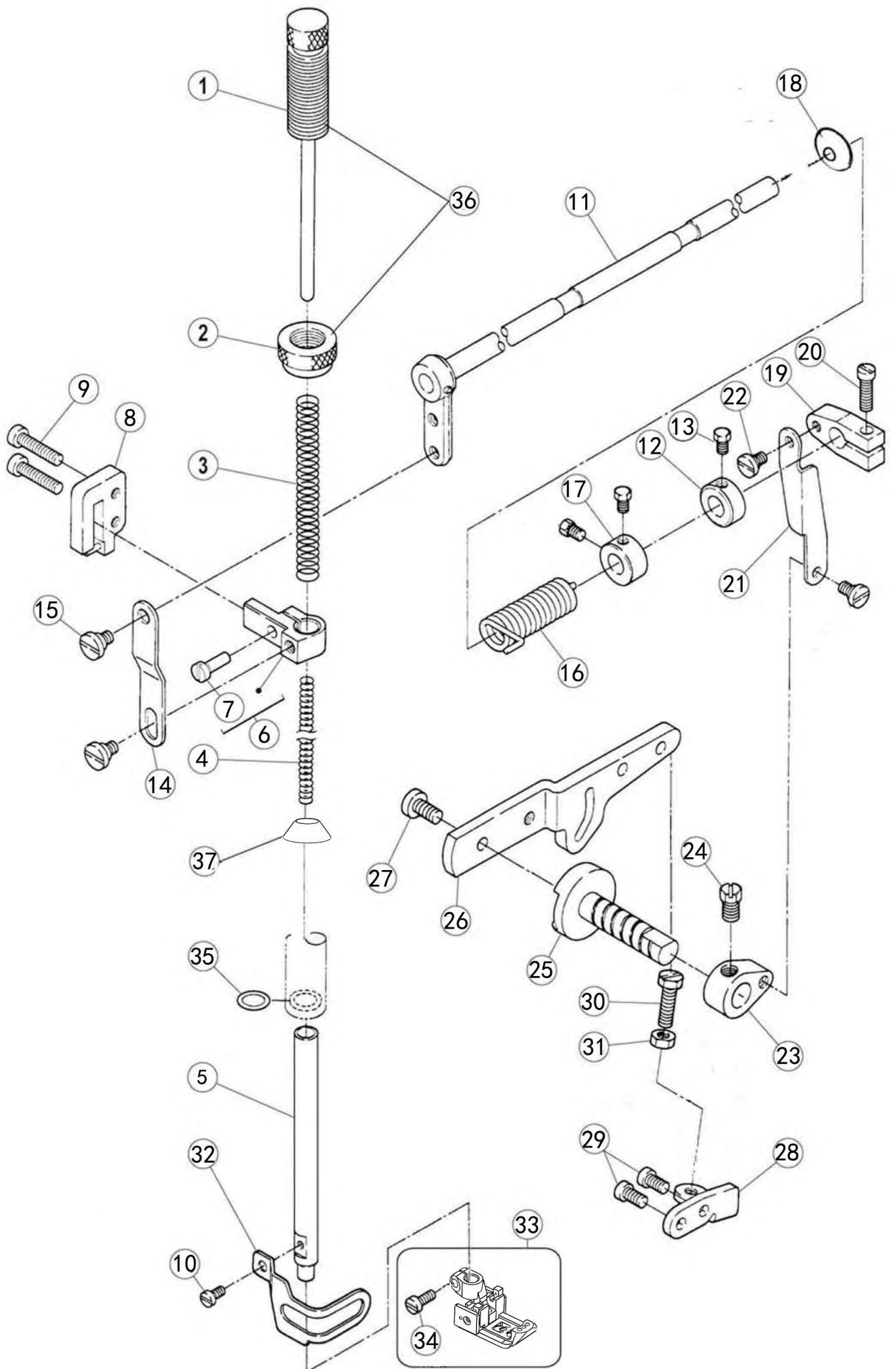
七、弯针部件/Needle guard assemblies						
序号	No.	件号 Parts No.	参考件号 Ref.Part.No.	名称	Description	数量 Number
1		30210002	252036-92	偏心套	eccentric	1
2		S10015	7128	螺钉M6x0.75x4	screw	1
3		B07009	206172	轴承K26x30x12.7	needle bearing	1
4		30205003	252035	连杆	rod	1
5		30226005	252037-91	滑杆销	pin assembly	1
6		N01004	4805	螺母M5	nut	1
7		W01004	240062	连杆轴垫圈	washer	1
8		30201010	252039	滑杆架	guide/looper shaft	1
9		30109001	201074	比叉	guide	1
10		W02001	202286	垫圈5	washer	1
11		301S11004	4019	比叉螺钉	screw	1
12		30202007	252044	下弯针连杆轴	shaft	1
13		30228006	240232	垫片	washer	1
14		S05048	45247110	螺钉M4x10	bolt	1
15		W02002	201252	垫圈4	washer	1
16		30228005	240231	垫片	washer	1
17		30204004	252046-92	下弯针轴曲柄	lever	1
18		S05002	4534	螺钉M6x0.75x15.2	screw	1
19		30201011	252040-92	前挡块	holder	1
20		S04019	7021A	螺钉M4x12	screw	2
21		30228003	252041	垫片	washer	2
22		30209003	252042	滑块	slider	1
23		30209004	252043	油堵	pin	1
24		S10007	4543	螺钉M4x4	screw	1
25		30201012	252045-92	后挡块	holder	1
26		30201101		弯针架	looper holder	1
27		30221018		铜油嘴	joint screw	1
28		30213050		过线	threadguide	1
29		S10007	7129	螺钉M4x5	screw	1
30		30217003	257566	弯针	looper	1
31		30228004	252047	挡块垫片	washer	2
32		30203007	252052	后套(后轴)	bushing	1
33		S10013		螺钉	screw	1
34		30203044	252049-91	前套	bushing	1
35		O01021	231011	O型圈12.2x2.4	o ring	1
36		30228002	252055	垫圈	washer	1
37		30202006	252048	滑杆	shaft	1
38		S05046	7145	螺钉M3.5x9.5	screw	1
39		S01006		螺钉	screw	1
40		30223014		油棉	felt	1
41		30221023		回油管	pipe	1
42		30203045		油棉盖	oil cover	1



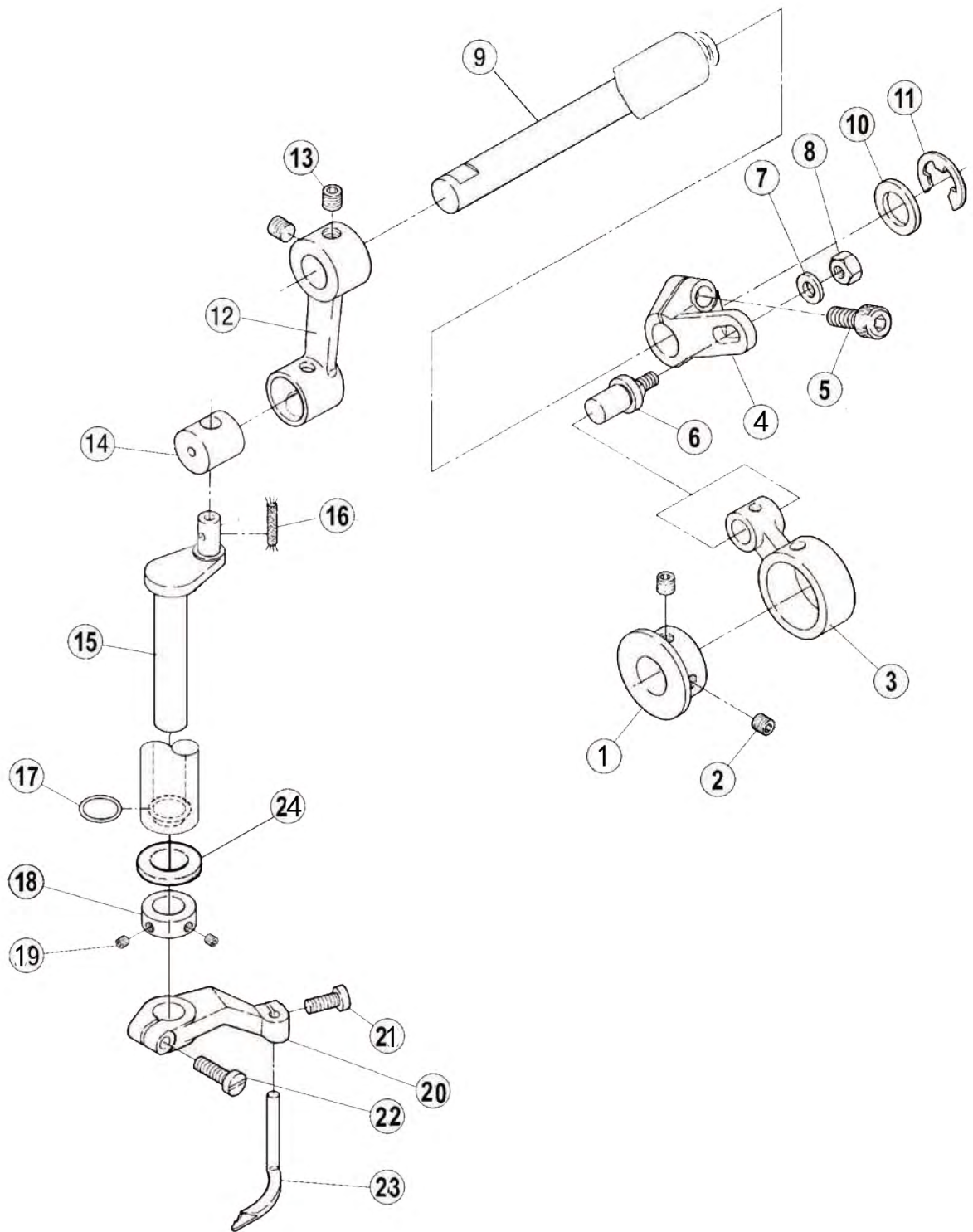
八、护针部件/Feed mechanism						
序号	No.	件号 Parts No.	参考件号 Ref.Part.No.	名称	Description	数量 Number
1		3021000300	252607-92	送布偏心轮组件	eccentric	1
2		S10006	4539	螺钉M5x6	screw	2
3		B07007	204084	轴承22x26x10	needle bearing	1
4		30224001	240236	轴承28x24x13	needle bearing	1
5		30229001	240234	卡簧	ring	1
6		30229002	240237	卡簧	ring	1
7		30205004	252608	连杆	rod	1
8		30204005	252609-92	曲柄	crank	1
9		S05005	4531	螺钉M5x12	screw	1
10		30228007	240055	垫片	washer	1
11		S02016	7041	螺钉M3x3.2	screw	1
12		30205005	252612	偏心连杆	rod	1
13		30205007	252614	针距轴杆	link	1
14		30205006	202176	连杆	link	1
15		S10007	4537	螺钉M4x4	screw	1
16		30226007	252613	连杆销	pin	2
17		20123021	202176	JK795油线	oil wick	1
18		30226008	252616	曲柄销	pin	1
19		30204006	252617	曲柄	crank	1
20		S100029	7142	螺钉M6x5	screw	2
21		30204007	252618-91	调节曲柄	link	1
22		S100029	2547	螺钉M6x5	screw	2
23		30202008	252622	针距调节挡板	guide	1
24		S10006	4539	螺钉M5x6	screw	1
25		30227005	252620	拉簧	spring	1
26		302S30001	7131	螺钉	screw	1
27		30202009	252621	针距指示轴	shaft	1
28		O01022	240017	O型圈7x1.5	oring	2
29		30212013	252523	指示板	lever	1
30		S01011		螺钉M5x10	screw	1
31		30211001	252624-VB	刻度板	indication plate	1
32		S02004	7044	螺钉M4x8	screw	2
33		30202010	252625	针距调节轴	screw	1
34		H05012	201629	挡圈4	ring	1
35		H05006	200983	挡圈5	ring	1
36		O01023	240251	O型圈5x1.5	o ring	1
37		S09015	4550	螺钉M4x10	screw	1
38		P03011		销3x12	pin	1
39		30209006	252626	垫片	liner	1
40		302S16001	252660	调节螺母	nut	1
41		S10007	4543	螺钉M4x4	screw	1



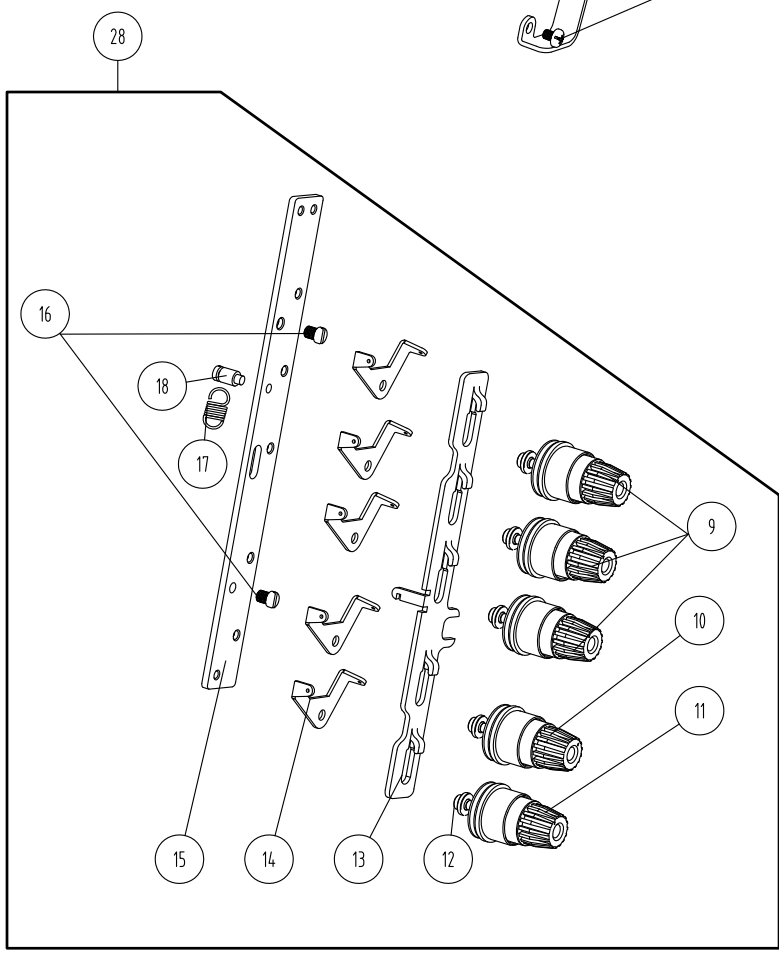
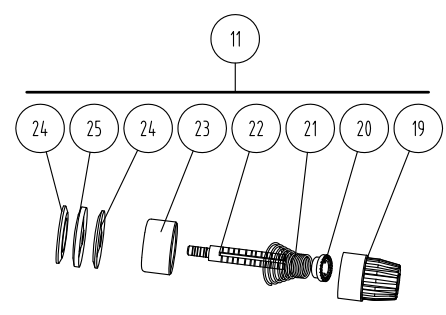
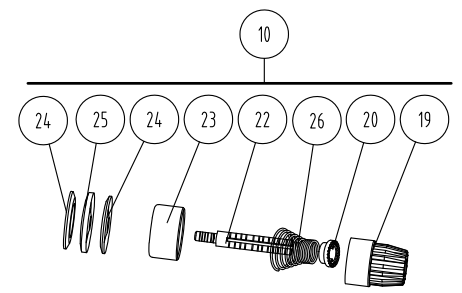
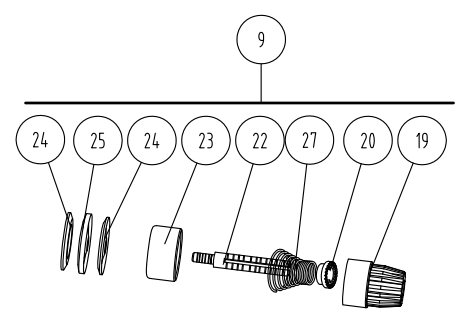
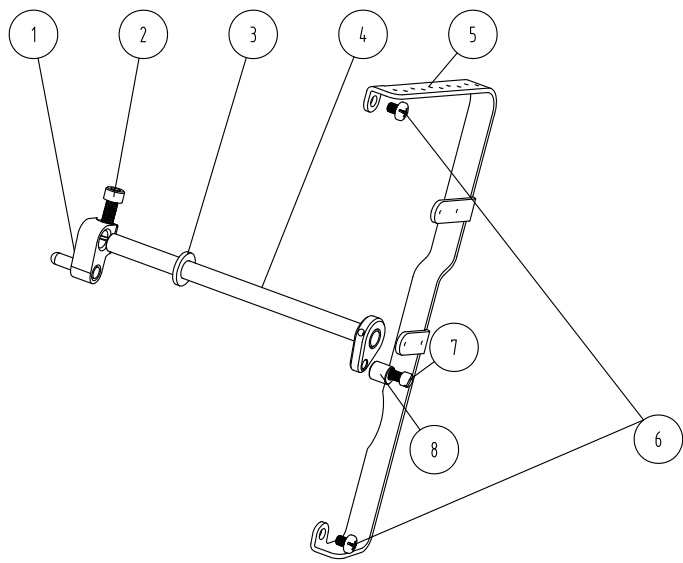
九、送布部件/Need mechanism						
序号	No.	件号 Parts No.	参考件号 Ref.Part.No.	名称	Description	数量 Number
1		3021400100		送齿组件	feed dog	
	1	30214001		送布牙	main feed dog	1
	2	30214002		差动牙	diff feed dog	1
3		S01004	7019	螺钉M4×7.8	screw	1
4		S01004		螺钉	screw	1
5		S01002	7017	螺钉M4×6.5	screw	2
6		30209050	0950	差动曲柄	differential crank	1
7		S05048	S7028	螺钉M4×10	screw	1
8		30203013	252637	衬套	bushing	1
9		30228008	240039	垫圈	washer	1
10		L01004	7056	螺栓M5×0.5×13	screw	1
11		30212099	252629	牙架挡板	guide (left)	1
12		30226032	0932	定位销	pin	1
13		30206003	0903	差动牙架	differential braces	1
14		30206004	0904	送布牙架	feed dog stand	1
15		30209080	0980	滑块	slider	1
16		30202036	0936	抬牙轴	crankshaft	1
17		30205081	0981	连杆	link	1
18		30203041	0941	衬套	bushing	1
19		302S09010	0910	螺钉M4×18	screw	1
20		S05003	4531	螺钉M5×10	screw	1
21		302S17005	0905	内六角沉头螺钉	screw	1
22		30228020	1045	锥形垫圈	washer	1
23		30204322	1027	连接销	pin	1
24		30204321	1026	差动摆动连杆	link	1
25		30205008	252636	差动小连杆	link	1
26		30226040	0940	销	pin	1
27		S05003	4531	螺钉M5×10	screw	1
28		30204077	0977	曲柄	link	1
29		30202035	0935	差动轴	crankshaft	1
30		30123014	202175	油线	oil wick	1
31		30126009	210766	销	pin	1
32		20123021	202176	JK795油线	oil wick	1
33		30123001	206748	毛毡	felt	11
34		30209008	252632	抬牙滑块	block	1
35		B07008	210238	轴承9×12×13	needle bearing	1
36		30204008	252628	抬牙曲柄	guide (right)	1
37		S10013	7152	螺钉M6×6	screw	1
38		30208001		挡块	collar	1
39		S10029		螺钉	screw	1
40		30208002		挡圈	collar	2
41		S10029		螺钉	screw	2



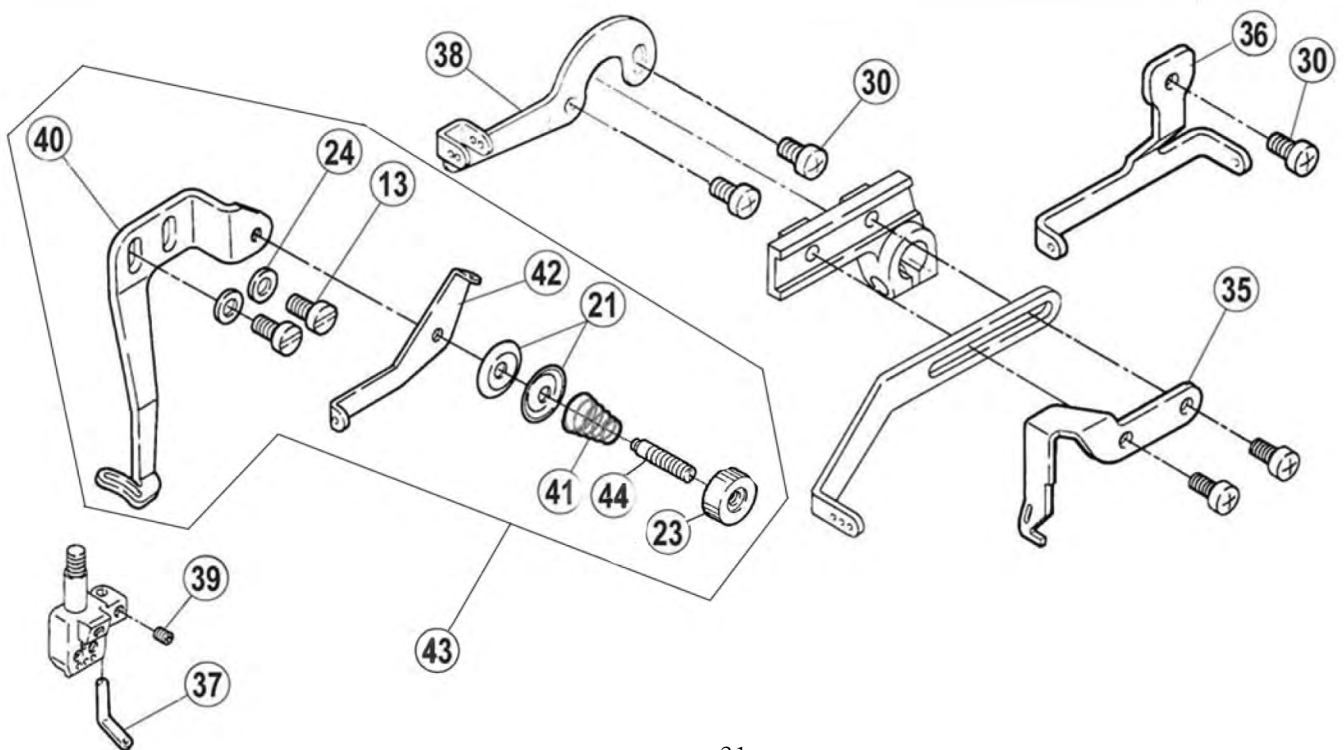
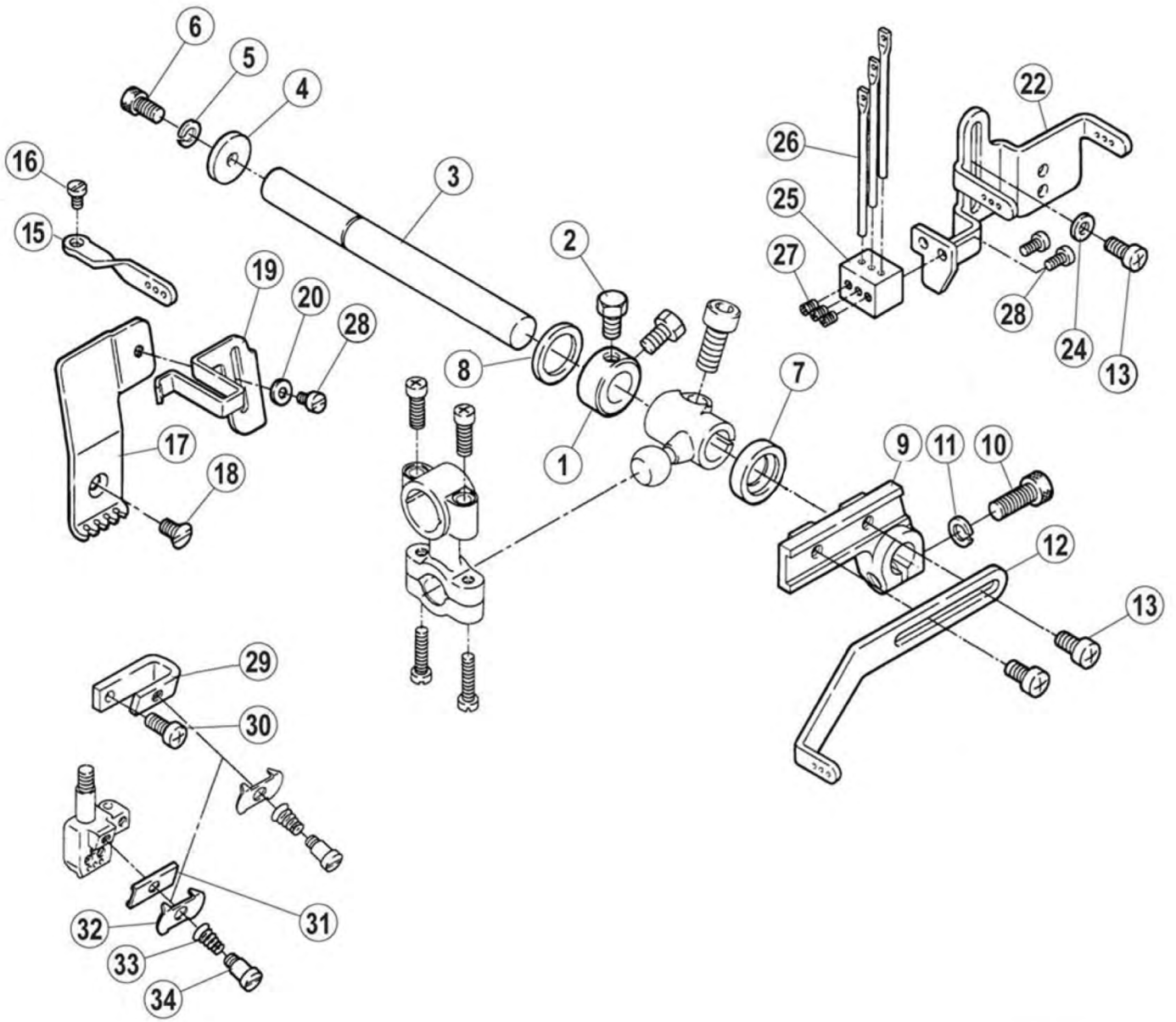
十、压脚部件/Presser form assemblies						
序号	No.	件号 Parts No.	参考件号 Ref.Part.No.	名称	Description	数量 Number
1		301S30008	253000-91	调压螺杆	adjusting bar	1
2		301S16005	253003	调压母	nut	1
3		30227008	240252	调压簧	spring	1
4		30227009	240253	压脚轴小弹簧	spring	1
5		30202017	253026	压脚步轴	presser bar	1
6		30104017	206139	压脚轧头	presser bar clamp	1
7		S01003	301S11009	螺钉M4×12	screw	1
8		3010901700	253005-91	导块销簧组件	guide	1
9		S11025	7025	螺钉M4×20	screw	2
10		S01006	7009	螺钉M3×4.5	screw	1
11		3010206400	263008-91	抬压轴	lever	1
12		30108006	192024	挡圈	collar	1
13		301S12001	5084	曲柄螺钉	screw	3
14		30112016	206157	压脚轧头连接板	link	1
15		301S20007	5386	台螺钉	screw	2
16		30127009	253010	抬压轴簧	spring	1
17		30108005	206156	挡圈	collar	1
18		30122023		油封	plug	1
19		30104019	206149	抬压曲柄I	bell crank(upper)	1
20		301S11011	5187	抬压曲柄螺钉	screw	1
21		30212018	253027	抬压曲柄连接板	link	1
22		301S20008	5184	连接板螺钉	screw	2
23		30104020	206148	抬压曲柄II	bell crank(lower)	1
24		301S20013	002022-4	抬压曲柄II固定螺钉	screw	1
25		30102022	253013	抬压轴	shaft	1
26		30112019	253014	抬压轴扳手	lever	1
27		S01011	7028	螺钉M5×10	screw	1
28		30112020	253015	抬压曲柄座	bracket	1
29		S01004	7019	螺钉M4×7.8	screw	2
30		S01016	4549	螺钉M5×17	screw	1
31		N01004	4805	螺母M5	screw	1
32		30112017	253028	压脚护罩	finger guard	1
33		3011601300	257461-56	356压脚	presser foot assy	1
		3011601400		364压脚	presser foot assy	1
34		301S11010	001170-3	压脚固定螺钉	screw	1
35		O01006	240095	O型圈8.5×1.8	o ring	1
36		3013002500		调压螺杆组件669	adjusting bar assembly	1
37		30122023		密封圈	oil guard.	1



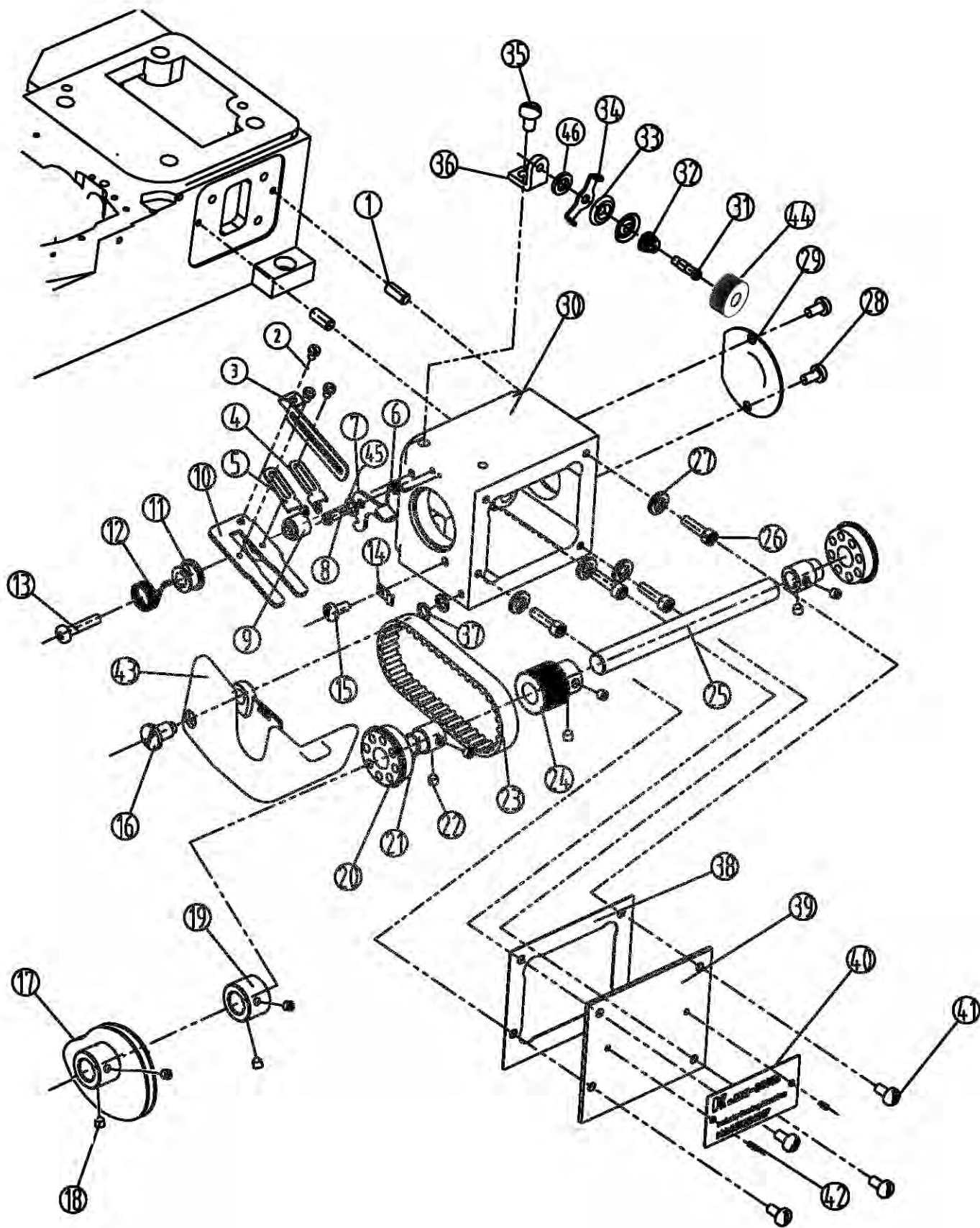
十一、喂针部件/Needle feeding assemblies						
序号	No.	件号 Parts No.	参考件号 Ref.Part.No.	名称	Description	数量 Number
1		30110007	254501A	喂针凸轮	eccentric assembly	1
2		S10002	4514	螺钉M5x5	screw	2
3		400059	254511	喂针连杆	connection	1
4		30104024	254503	喂针摆动曲柄	crank	1
5		S05002	4534	螺钉M6x0.75x15.2	screw	1
6		30126006	254504	连杆销	screw	1
7		30128032	240062	垫圈	washer	1
8		N01004	4805	螺母M5	nut	1
9		30102024	254519	摆动连杆轴	shaft	1
10		30128015	206180	摆动连杆轴垫圈	washer	1
11		H05004	306671	挡圈12	ring	1
12		30105013	254506B	喂针摆动连杆	crank	1
13		S100029	4547	螺钉M6x0.75x5	screw	2
14		30126005	254507	喂针摆动销	block	1
15		30202018	254518	喂针摆动架	crankshaft	1
16		20123021	202176	JK795油线	oil wick	1
17		O01008	233020	O型圈9x1.8	o ring	1
18		20108006		挡圈	collar	1
19		S10026		挡圈螺钉	screw	2
20		30104022	254516	喂针架	lever assembly	1
21		S01005	7020	螺钉M4x10	screw	1
22		S01017	7022	螺钉M4x14	screw	1
23		30117005	257565	喂针	spreader	1
24		30128018		垫圈	washer	1



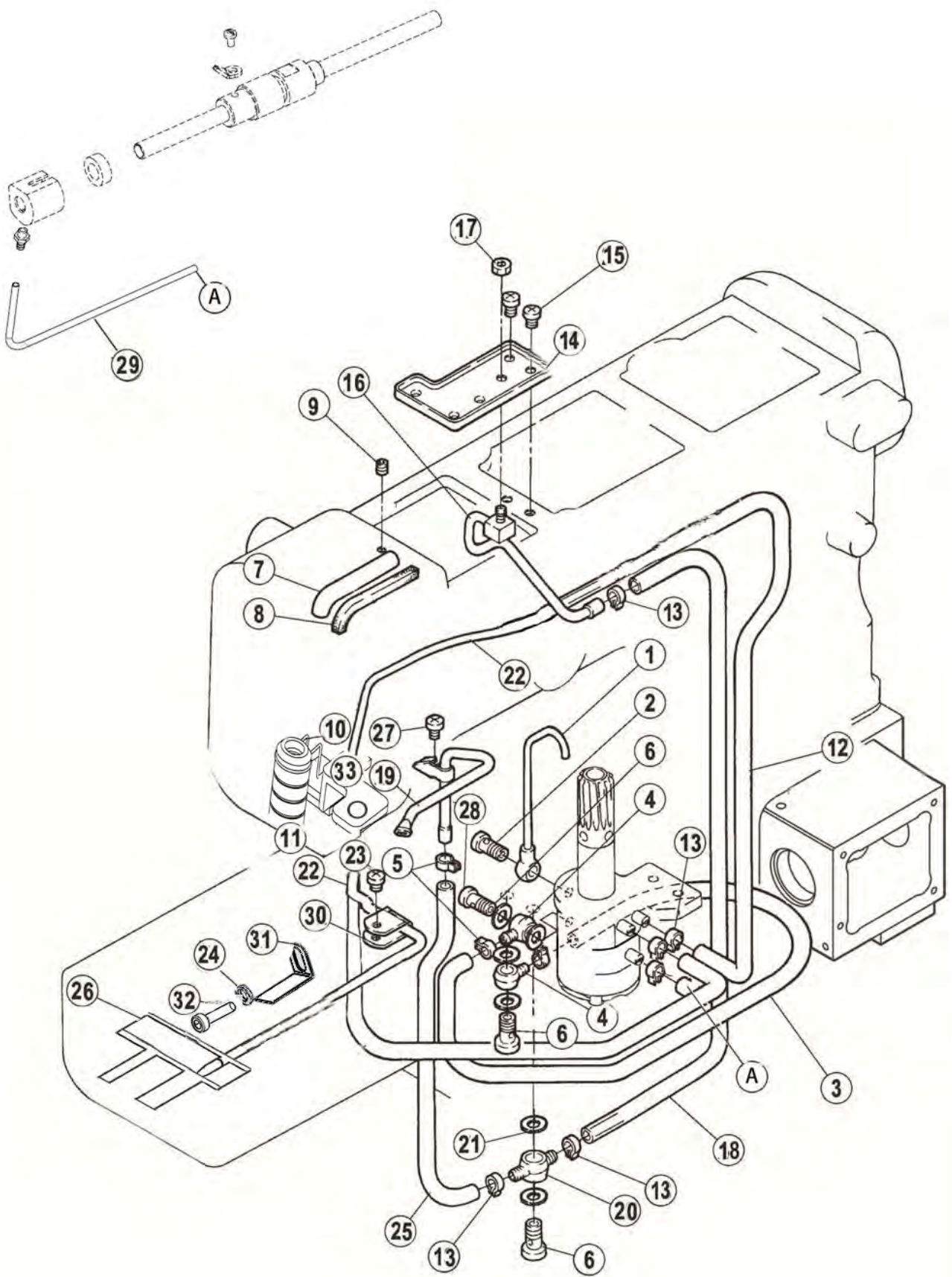
十二、松线部件/Thread loosing assemblies						
序号	No.	件号 Parts No.	参考件号 Ref.Part.No.	名称	Description	数量 Number
1		3010403100	254003B91	松线曲柄I	crank	1
2		S05005	4531	螺钉M5×12	bolt	1
3		W01010	202868	垫圈8	washer	1
4		3010403200	254000-91	松线曲柄II	lever	1
5		30104048	254008	过线架	thread guide	1
6		S04010		螺钉M4X5.5	screw	2
7		301S11013	002133-1	轴套紧固定螺钉	screw	1
8		30103040	254022	轴套	collar	1
9		3011300400	254010A9U	调线组件（弱）	tension spring assembly(heavy)	3
10		3011300500	254010B9U	调线组件（中）	tension spring assembly	1
11		3011300600	254010C9U	调线组件（强）	tension spring assembly(light)	1
12		30103041	206202	调节套	spacer	5
13		30112022	254021	过线调节板	thread releaser	1
14		30113007	254020	二孔过线板I	thread guide	5
15		30113003	254019	过线板	bracket	1
16		S01004		螺钉M4X7.8	screw	2
17		30127010	306301	调节板簧	spring	1
18		301S30009	5447	调节板螺钉	screw	1
19		301S16006	208447-UA	调压螺母	nut	1
20		30111006	208448	调压止动套	ratchet	1
21		30127013	201068	调压簧（弱）	spring(light)	1
22		301S30010	001817-2A	夹线延	screw stud	1
23		30111005	208450-UA	调压止动盖	cup	1
24		30128016	210319	夹线片	tension disc	2
25		30123027		松线夹线片垫	felt	1
26		30127012	201086	调压簧（中）	spring(medium)	1
27		30127011	301037	调压簧（强）	spring(heavy)	3
28		3011304200	254023E9U	三针过线组件	tension control mechanism	1



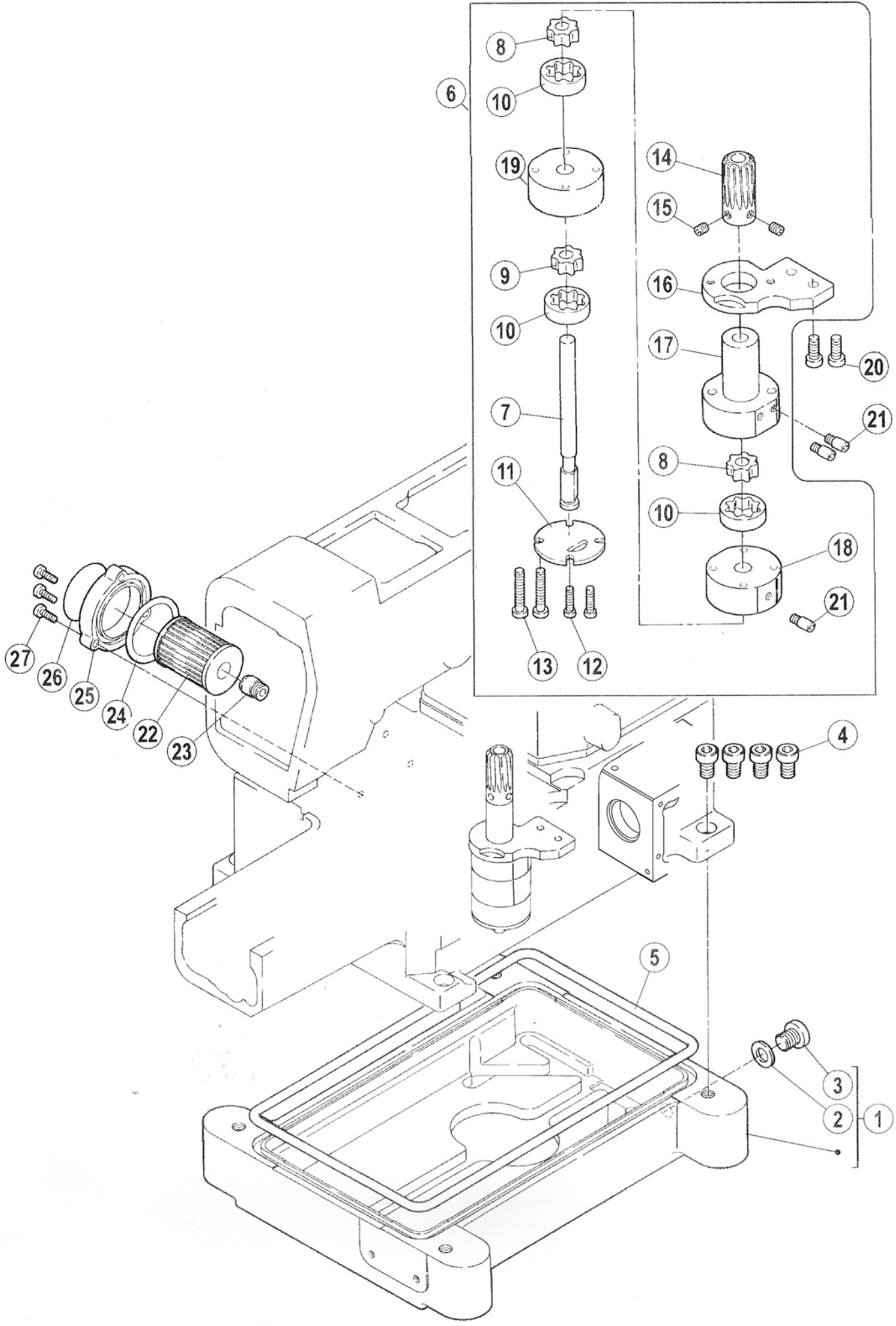
十三、过线部件/Thread loosing assemblies						
序号	No.	件号 Parts No.	参考件号 Ref.Part.No.	名称	Description	数量 Number
1		30108005	240201	挡圈	ring	1
2		301S12001	5084	曲柄螺钉	screw	2
3		30102028	253503	过线座轴（中轴）	shaft	1
4		30128019	204107	垫片	washer	1
5		W02002	201252	M4垫圈	washer	1
6		S05048	4527	螺钉M4X10	screw	1
7		20622019		油封	plug	1
8		30128008		摆架轴垫圈	washer	1
9		30101018	253504	过线座	lever	1
10		S05004	4501	螺钉M5X14	screw	1
11		W02001	303067	垫圈	washer	1
12		30113009	253505A	长过线板	thread take-up	1
13		S01004	7019	螺钉M4x7.8	screw	2
14		S01004	7020	螺钉M4x7.8	screw	1
15		30113010	253507	三孔过线	thread guide	1
16		S01027	7009	螺钉M3X6	screw	1
17		30113011	253508A	过线板	thread guide	1
18		206S30016	7170	螺钉	screw	1
19		30112023	253509A	护线罩	thread support	1
20		30128034	240474	垫圈	washer	1
21		20112033	137108	夹线片	thread retainer	2
22		30112027	253544	硅油合固定架	thread guide	1
23		302S16005		调压螺母	adjusting nut	1
24		W01001	303448	M4垫垫片	washer	1
25		30113012	253545	针杆过线座	holder	1
26		30113013	234521	过线杆	thread guide	3
27		S10001	4535	螺钉M3x4	screw	3
28		S01006	7009	螺钉M3x4.5	screw	5
29		30112024	253516	U型夹线座	thread tension brackeat	1
30		S01004	7018	螺钉M4x7.8	screw	4
31		30112025	234561	夹线板	thread guide	1
32		30112026	253593	压线板	tension disc	1
33		30127014	253517	调压簧	spring	1
34		301S20009	OW09070-2	调线螺钉	screw	1
35		30112028	253506	长过线压板	thread take-up	1
36		30112030	253515	过线板	thread guide	1
37		30112033	253511	喂针小过线	thread guide	1
38		30112029	253514	喂针过线	thread guide	1
39		S10026	4554	螺钉M3x3	screw	1
40		30112031	253548	喂针过线板	thread guide	1
41		30127016	137109	夹线簧	spring	1
42		30112032	253547	喂针二眼过线	thread guide	1
43		3011203200		喂针过线组件	thread guide	1
44		301S30055		调线螺钉	adjusting screw	1



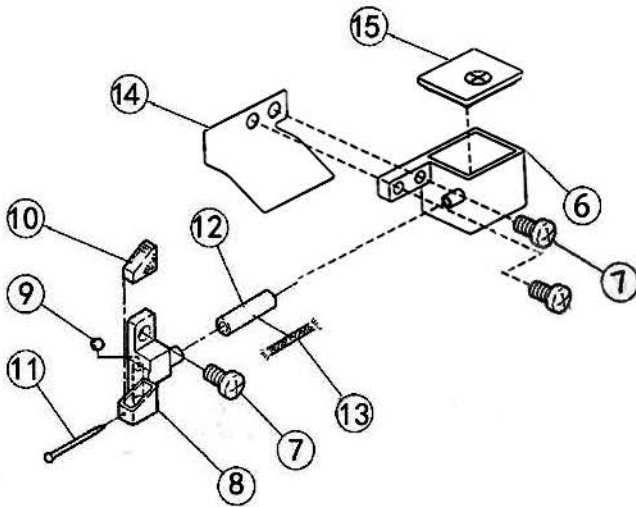
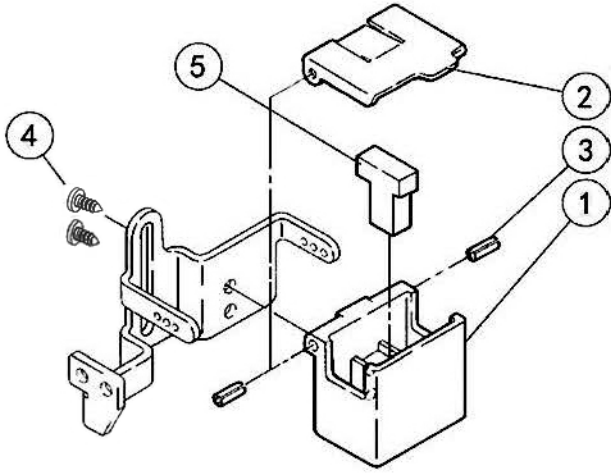
十四、打线凸轮部件/Cam assesblies						
序号	No.	件号 Parts No.	参考件号 Ref.Part.No.	名称	Description	数量 Number
1		P01007		定位销	pin	2
2		S010006	7009	螺钉M3×4.5	screw	3
3		30212084	1584	打线片	thread guide	1
4		30313020		过线片（右）	thread guide（right）	1
5		30313019		过线片（左）	thread guide（left）	1
6		30227017	1517	复位弹簧	reset spring	1
7		30212085	1585	打线架扳手	fight line wrench	1
8		302S20008	1508	轴位螺钉	screw	1
9		30208022	1522	挡块	stop	1
10		30212068	1568	打线架	bracket	1
11		30208020	1520	打线架挡圈	Fight line retaining ring	1
12		30227016	1516	复位弹簧	reset spring	1
13		S04020		螺钉M4×18	screw	1
14		30227031		卡簧片	spring	1
15		S01002	7017	螺钉M4×6.5	screw	1
16		302S20005		螺钉	screw	1
17		3021302700		打线凸轮组件	looper thread take-up	1
18		S10007		螺钉M4×4	screw	2
19		30208014		定位挡圈	collar	1
20		30224004		轴承6902ZZNR	bearing	2
21		30203038		轴承套	bushing	2
22		S12003	4547	螺钉M6×0.75×5	screw	7
23		30235021		小同步带	small timing belt	1
24		30235019		凸轮轴同步带轮	time belt	1
25		30202062		凸轮轴	shaft	1
26		S05019		螺钉M6×16.3	screw	4
27		W02004	303335	垫圈	sticker	4
28		S01002		螺钉M4×6	screw	2
29		30212138		轴承盖板	cover	1
30		30208109	1508	凸轮座	cam seat	1
31		301S30055		调压螺钉	adjusting screw	1
32		12927012	211388	夹线簧	spring	1
33		12928036	137108	小夹线片	thread retainer	2
34		30213025	167079	过线	thread guide	1
35		S01065		螺钉M5×10	screw	1
36		30212134		托板	layer	1
37		W03007		波形弹性垫圈	washer	2
38		30222026	1403	凸轮座密封垫	cam gasket	1
39		302878		凸轮座盖板	cover	1
40		30137001		机型牌	sticker	1
41		S01002	7017	螺钉M4×6.5	screw	4
42		R03001	210679	铆钉2.5×4	pin	2
43		302315		凸轮护罩	shield	1
44		302S16006		调压螺母	adjusting nut	1
45		W01006		垫片	sticker	2
46		10128001		松线铺钉垫片	sticker	3



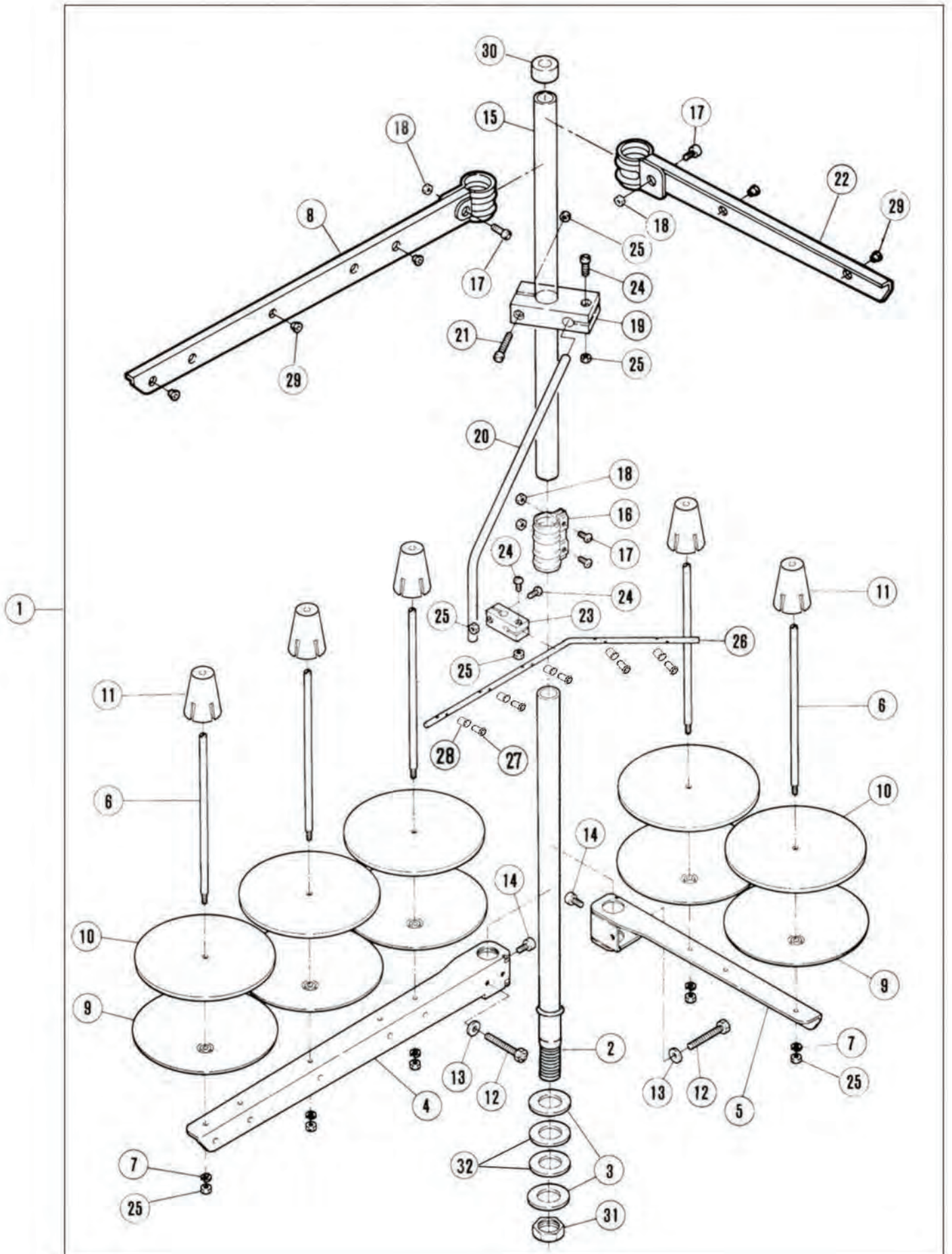
十五、润滑部件/Lubrication assemblies						
序号	No.	件号 Parts No.	参考件号 Ref.Part.No.	名称	Description	数量 Number
1		30136006	1609	铜油管接头	pipe	1
2		301S30012	255037	油管螺钉	screw	1
3		30121021	205113A	Φ5×Φ7油管	tube	1
4		20636001	200136	油管接头	joint	2
5		30129006	202199	油管卡簧(大)	clamp	2
6		301S30013	200152	过油螺钉	screw	2
7		30121012	255003	铜油管	oil pipe	1
8		30123010	240136	油毡	felt	1
9		S10002	4514	螺钉 M5×5	screw	1
10		30227041		回油毡卡簧	back felt circlip	1
11		30223023		针杆回油毡	The needle bar back felt	1
12		12921002	240006	Φ3×Φ5油管	screw	1
13		20429001	202199	油管卡簧	clamp	7
14		30112039	255006	接油盘	oil guard	1
15		S01002	7017	螺钉 M4×6.5	screw	2
16		3012010500	255007-91	喷油管	oil distributor	1
17		N01001	4821	螺母 M4	nut	1
18		12921005	240134	Φ4×Φ6油管	tube	1
19		3022100800	255094-91	油管组件	oil splash pipe	1
20		30136005	255123	双头油管接头	joint	1
21		20122033		垫片	washer	7
22		12921002		Φ3×Φ5油管	screw	1
23		S04010	7018A	螺钉 M4×5.5	screw	1
24		W01001		垫片	sticker	1
25		30221023		Φ4×Φ6油管	pipe	1
26		30223022		回油毡	felt	1
27		S01002	7018	螺钉M4×7	screw	1
28		201S30004		过油螺钉	joint screw	1
29		12921002		Φ3×Φ5油管	tube	1
30		12512073		油管夹	tubing clamps	1
31		30227040		固定板	screw	1
32		S05048		螺钉	screw	1
33		30223023		上节回油棉	felt	1



十六、油泵部件/Oil pump assemblies					
1	30201029	255041	油盘	oil reservoir assembly	1
2	20528014	202287	垫圈	sticker	1
3	301S11015	5138B	堵油螺钉	screw	1
4	S05007	4504	螺钉 M8×20	螺钉 M8×20	4
5	30222014	255042	油盘密封圈	o ring	1
6	3022000300	1722	油泵组件	oil pump assy	1
7	30102031	255024	油泵轴	shaft	1
8	30120004	255025	主动轮2	rotor	2
9	30120005	W17-6	主动轮1	rotor	1
10	30120005	255027	从动轮	rotor	3
11	30120008	255028	油泵盖	cover	1
12	301S20011	7105	油泵螺钉	screw	2
13	302S1300	1713	油泵螺钉	screw	2
14	30125003	255019	油泵蜗轮	worm wheel	1
15	S10002	4514	螺钉 M5×5	screw	2
16	30120002	W17-4	油泵固定板	oil pump fixed plate	1
17	30220002	1714	油泵体（上）	pump body	1
18	30120009	1719	油泵体（中）	pump body	1
19	30120003	1720	油泵体（下）	pump body	1
20	S05004	4534	螺钉 M5×12	screw	2
21	301S30014	205111	过油螺钉	joint screw	3
22	20136001	206233	滤油器	oil filter	1
23	301S30030	210200	螺钉	screw	1
24	O01010	206431	O型圈38.7×3.55	O ring	1
25	30101021	210201-PD	滤油器盖	cover	1
26	30131004	9A3002	提示说明	filter seal	1
27	S01003	7021	螺钉M4×12	screw	3



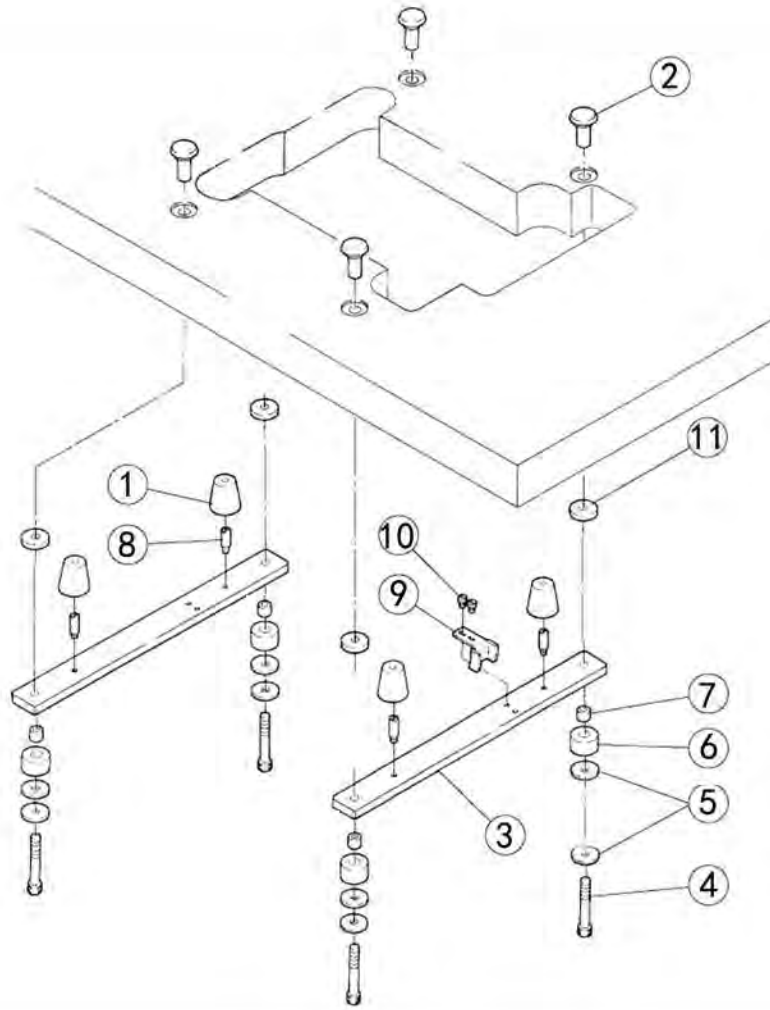
十七、硅油盒装置部件/Silicon oil delice assemblies						
序号	No.	件号 Parts No.	参考件号 Ref.Part.No.	名称	Description	数量 Number
1		30111070	207066-PD	上硅油盒	silicone oil reservoir(upper)	1
2		30112040	207067-PD	硅油盒盖	cap	1
3		P03008	206781	销 2×6	pin	2
4		S16001	7009	螺钉	screw	2
5		30123011	207068	硅油棉	felt	1
6		30201075	1075	硅油盒	silicone oil box	1
7		S01004	7019	螺钉 M4×7.8	screw	2
8		30201014	255107	固定架	needle cooler(lower)	1
9		30209017	206851	钢珠	plug	1
10		30223005	240247	硅油棉	felt	1
11		30126009	210766	销	pin	1
12		12921002	240246	维尼龙油管	tube	1
13		20123021	202175	JK8568油线	oil wick	1
14		30212666	2666	硅油盒挡板	silicone oil box baffle	1
15		30222028	2028	硅油盒上盖	silicone oil box cover	1



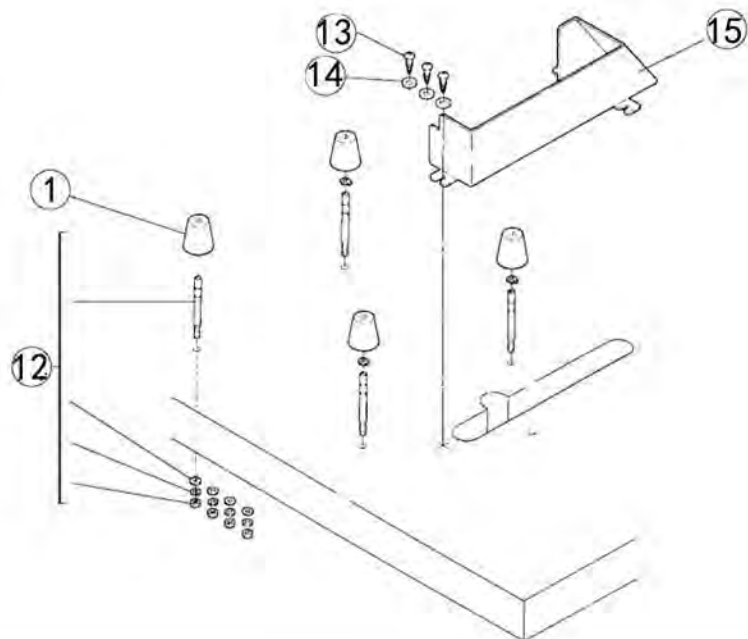
十八、线架部件/Thread apool assemblies

序号 No.	公司件号 Part No.	参考件号 Ref. Part. No.	名称	Description	数量 Number
1	3013102700		线架组件	thread assy	1
2	30102032	503-SA	线架下捧	thread bar (loer)	1
3	30128024	509	垫圈	washer	2
4	30101028	505SA	长线架	bracket (3-spool)	1
5	30101029	505SA	短线架	bracket (3-spool)	1
6	20131006	380A	线捧	spool pin	5
7	W02002	201252	垫圈 4	washer	5
8	30101030	527-SA	长过线架	bracket (3-spool)	1
9	20631025	381-SA	线托盘	spool tray	5
10	20631024	507	托盘垫	cushion	5
11	20131008	382-SA	线固定套	spool retaining fin	5
12	L02004	7102	螺钉 M6×34	screw	2
13	W01003	512	垫圈 6	washer	2
14	S04001	4022	螺钉 M6×10	screw	2
15	30102034	502-SA	线架上捧	thread bar (upper)	1
16	30129005	504-SA	锁紧卡固	joint	1
17	S04002	4021	螺钉 M5×16	screw	4
18	N01004	4805	螺母 M5	nut	4
19	30111008	383-SA	棒架	bracket	1
20	30113018	384	导线捧	thread guide bar	1
21	S04003	4014	螺钉 M4×25	screw	1
22	30101031	527ASA	短过线架	bracket	1
23	20631017	233-SA	固定器	holder	1
24	S04004	4012	螺钉 M4×15	screw	3
25	N01005	4803	螺母 M4	nut	9
26	20131036	293A	过线捧	thread guide bar (5-spool)	1
27	20131090		过线管	thread guide pipe	5
28	20131112		胶套	plastic cover	5
29	30103045	506	过线套	thread guide	5
30	30122027	386	棒帽	rod cap	1
31	N01026	5476	螺母 M18×1.5	screw	1
32	30128062		橡胶垫圈	washer	2

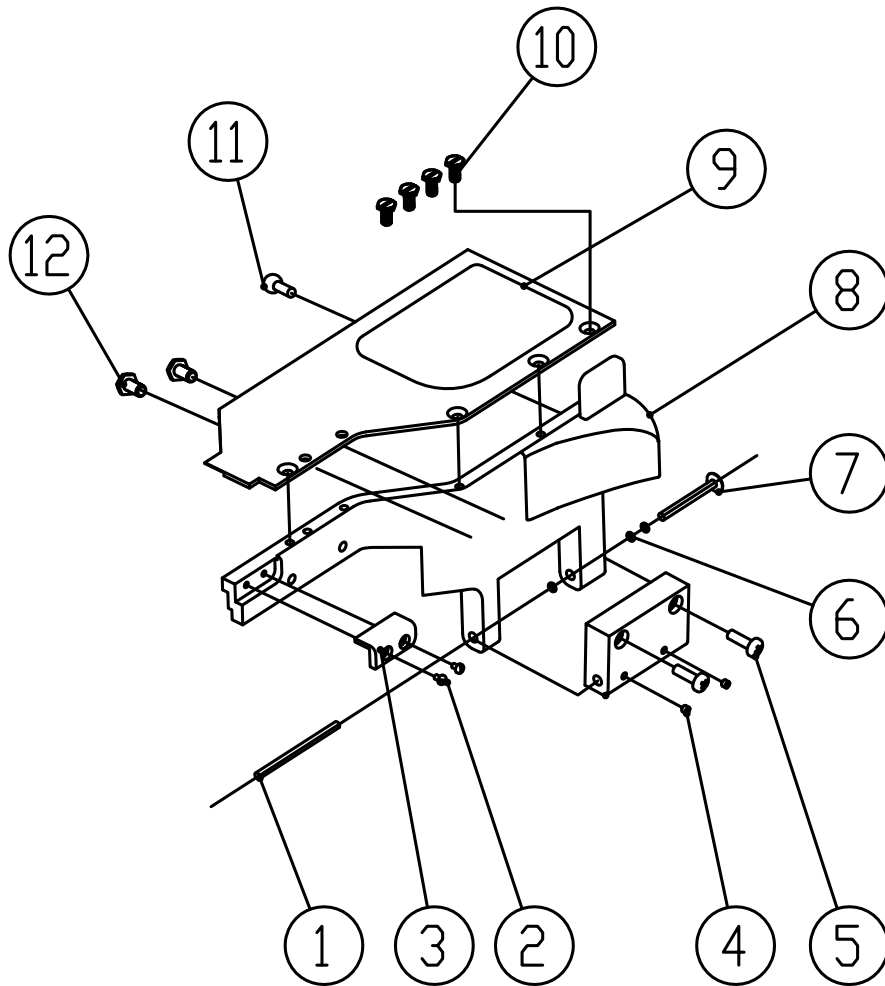
放入附件中
Put in accessory



放入附件中
Put in accessory

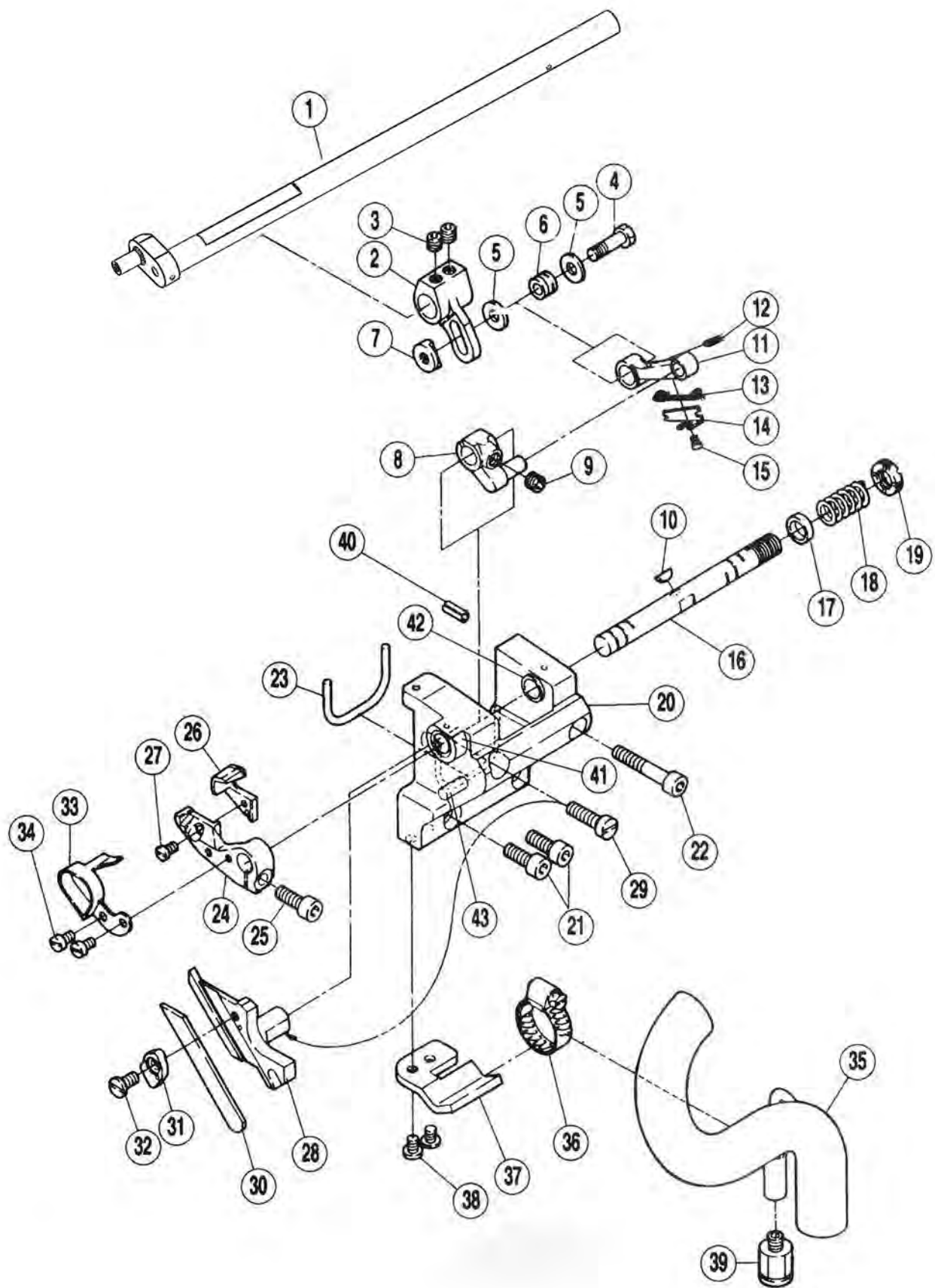


十九、油盘托板部件/Oil plate assemblies					
序号 No.	公司件号 Part No.	参考件号 Ref. Part. No.	名称	Description	数量
1	30122029	206338	油盘减振垫	rubber cushion	4
2	20131028	206336	托盘螺钉固定头	nut	4
3	400247	259000	油盘托板	rest board	2
4	20131027	4512	托板内六角螺钉	bolt	4
5	20131029	206337	大垫圈	washer	12
6	20131030	205764	防振套	cushion rubber	4
7	30103078	205765	防振垫支撑套	liner	4
8	301S30018	7093	油盘托板固定螺钉	screw	4
9	30112041	206329	链条挡板	treadle chain guide	1
10	S01011	7028	螺钉M5×10	screw	2
11	30122031	205467	减震垫圈	spacer	4
12	305S11018		安装螺钉(一套)	screw(set)	1
13	S10005		螺钉	screw	3
14	W01001		垫片	ring	3
15	30211006		皮带护罩	The belt cover	1

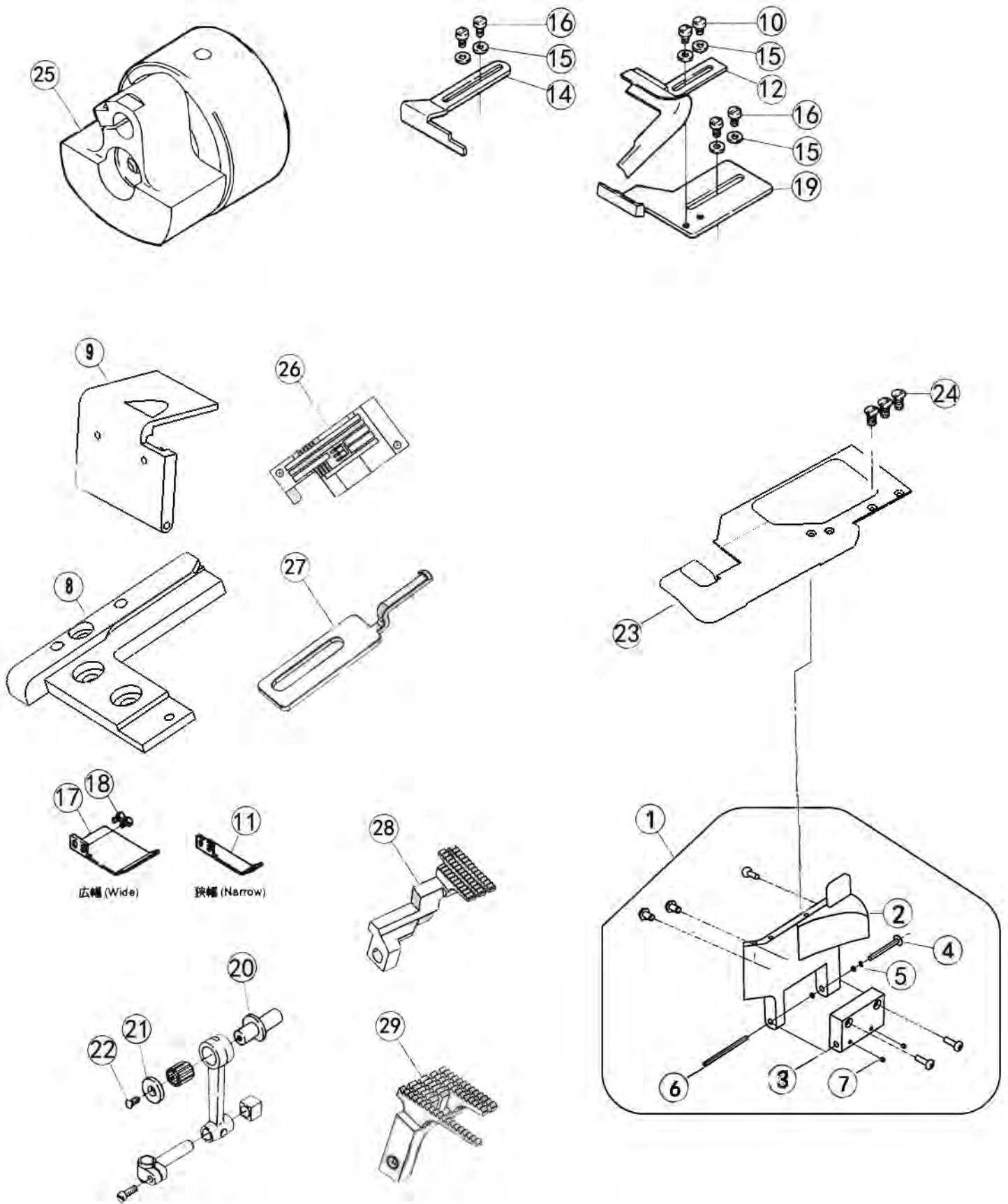


二十、专用件部件/Specific parts						
序号	No.	件号 Parts No.	参考件号 Ref.Part.No.	名称	Description	数量 Number
1		30226013	240198	销	pin	1
2		S01006		螺钉 M3×4.5	screw	2
3		30209018		针板座接块	bracket	1
4		S10005	4554	螺钉 M3×3	screw	2
5		207S11016	007022A	螺钉 M4×16	screw	2
6		30128002		垫片	washer	2
7		301S20002	250013	前罩缝台座螺钉	screw	1
8		302313		前罩缝台（外打线）	front cover assy	1
9		30212145		缝台盖板	cover	1
10		S02001	7043	螺钉 M4×6	screw	4
11		30226028		卡位销钉	pin	1
12		30222006	210025	防震垫	cushion	2

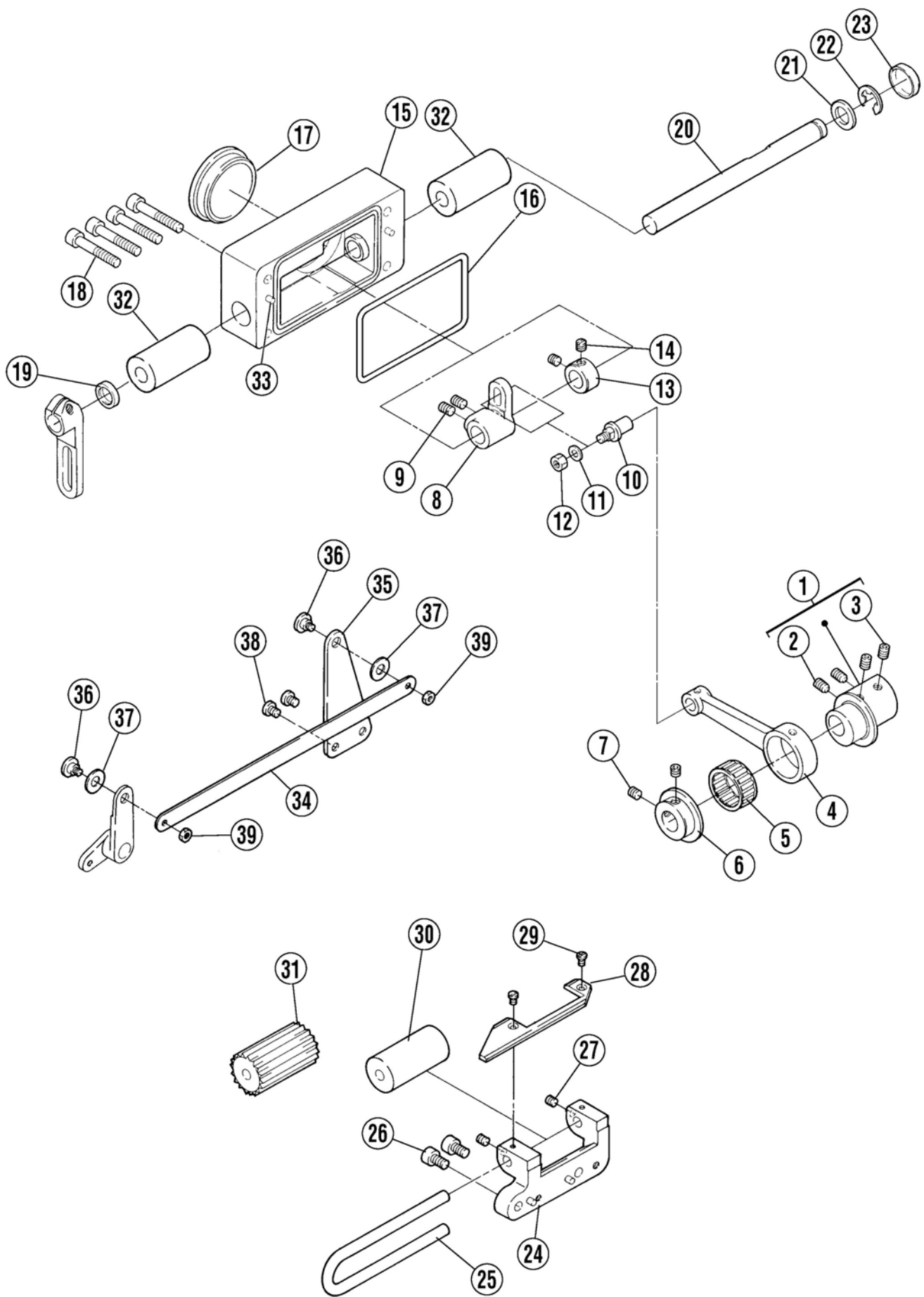
二十一、02BB专用件部件/Specific parts						
序号	No.	件号 Parts No.	参考件号 Ref.Part.No.	名称	Description	数量 Number
1		300122	250184-PD	前罩缝台组件(喷漆)	front cover assy	1
2		S02001	7043	螺钉 M4×8	screw	2
3		301S20002	250013	前罩缝台螺钉	screw	1
4		30228012	201191	垫片	washer	3
5		30226013	240198	平行销	pin	1
6		S10005	4554	螺钉 M3×3	screw	2
8		300125	250186-PD	前缝台挡板座(喷漆)	front cover (small)	1
9		S01011	7027	螺钉M5×10	screw	3
10		30112060	206439	前缝台挡板	auxiliary plate(front cover)	1
11		S01065	7079	螺钉 M5×6	screw	4
12		W01004	204585	垫圈5	washer	2
13		30212032	250193	缝料挡板	fabric guard	1
14		S01055	7017	螺钉 M4×6.5	screw	2
15		30201025	250196	挡板	cover	1
16		S01004	7018A	螺钉 M4×5.5	screw	2
17		30212033	250190	龙头座	bracket	1
18		30112063	206460	龙头架垫	washer	1
19		N01005	4803	螺母 M4	screw	2
20		30201023	250189	龙头架	clamp plate	1
21		301S11021	5113	螺钉	screw	2
22		30111020	256-SA	托盘导棒架	holder	1
23		30208006	204754A	垫圈5	washer	1
24		3011101800	257A9S	托盘组件	tape guide assy	1
25		30111019	247-SA	带子托盘	tape base	1
26		30128029	270	托盘垫圈	washer	1
27		30102048	253	上夹带棒	tape disc post	3
28		30103061	250	托盘下棒	tape disc post	1
29		S05004	1448	螺钉 M5×14	screw	1
30		30101049	251-SA	托盘座	bracket	1
31		301S30022	4913	托盘座螺钉	screw	3
32		30102047	252	下夹带棒	tape disc post	2
33		W01004	204585	垫圈5	washer	2
34		W02001	303067	垫片	spring washer	2
35		301S16012	226	螺母	nut	2
36		S04004	4012	螺钉 M4×15	screw	2
37		30101050	254	夹带座	holder	2
38		301S11022	5161	螺钉	screw	4
39		30113023	255	带子导座	tape guide bar	1
40		30226001		前罩缝台座销	pin	1
41		S01007		螺钉	screw	1



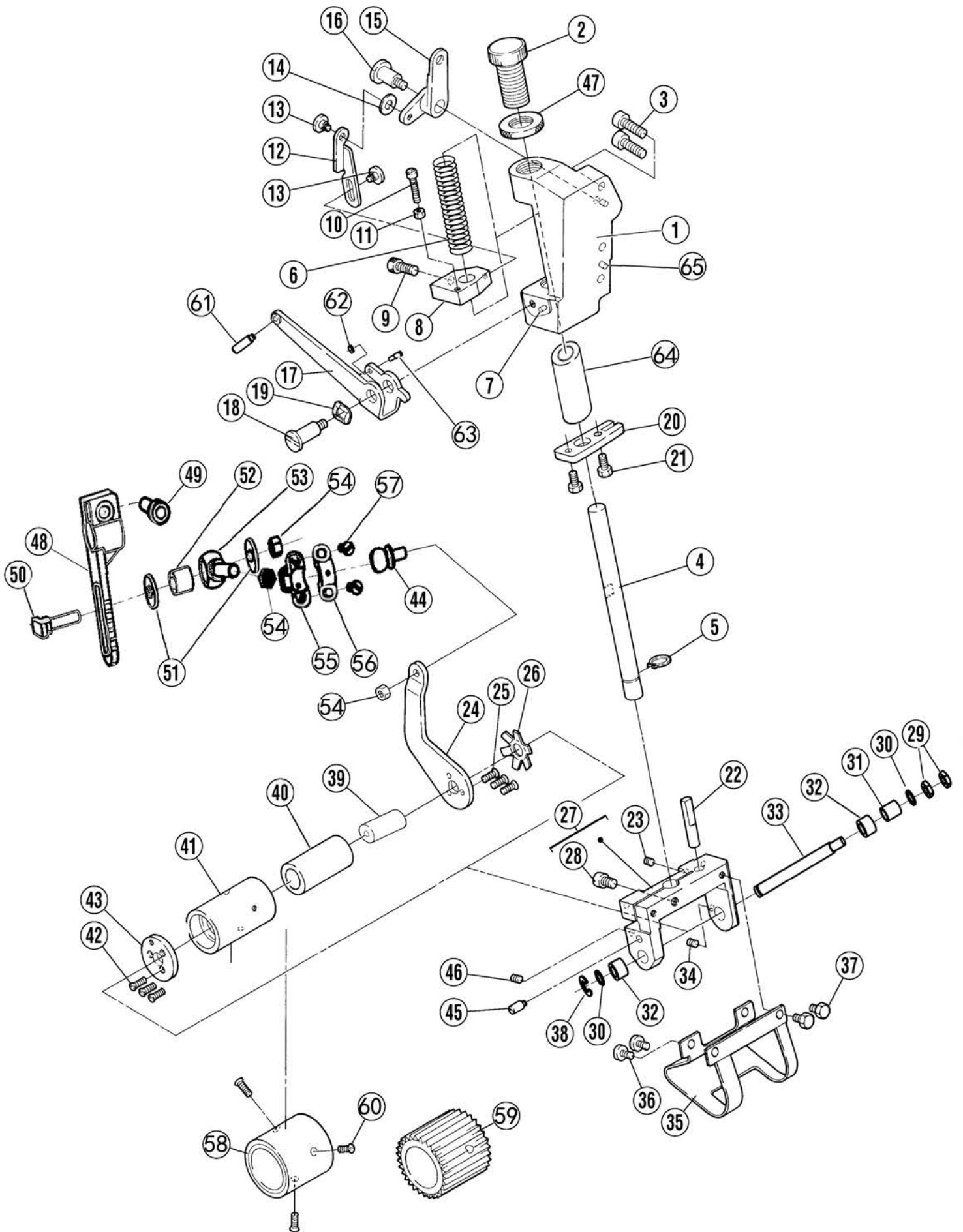
二十二、35AC切刀专用件/35ACFT device						
序号	No.	件号 Parts No.	参考件号 Ref.Part.No.	名称	Description	数量 Number
1		30202036		曲柄轴	shaft	1
2		30204011	255552	曲柄	crank	1
3		S10013		螺钉 M6×6	screw	2
4		302S12001	7057	六角螺钉	screw	1
5		30228008		垫圈	washer	1
6		30203027	179160-05	轴衬	bushing	1
7		302S02001	255553	螺母	nut	1
8		30204012	255554	曲柄	crank	1
9		S10013		螺钉 M6×6	screw	1
10		30226016	240008	键	key	1
11		400080	252557A	连杆	link	1
12		30223005	202174	油线	oil wick	1
13		30123014	202175	油线	oil wick	1
14		30201044	255077	油线架	latch	1
15		205S30008		压刀板螺钉	screw	1
16		30202023	255555	自动剪切轴	shaft	1
17		302S01003	230030	垫圈	washer	1
18		30227012	255548	弹簧	spring	1
19		302S01001	255546	螺母	nut	1
20		300704	255549-9P	下刀架座	lower knife holder	1
21		S05004		螺钉 M5×14	screw	2
22		302S13001		螺钉 M5×10	screw	1
23		30222015	255557	油封	oil seal	1
24		30201046	255564-91	上刀架	upper knife stand	1
25		S01011		螺钉 M5×12	screw	1
26		30219001	257574	上刀	upper knife	1
27		201S11035		S084螺钉	screw	1
28		30201047	255560	下刀架	lower knife stand	1
29		S11015		螺钉 M4×16	screw	1
30		20619002	204161A	下刀	lower knife	1
31		30201048	255558-91	下刀压板	lower knife clamp	1
32		101S11008		滑块导轨螺钉	screw	1
33		30201049	255615	吸管膏口	waste chute top	1
34		207S11025		螺钉 M3.5×6.7 (进口)	screw	2
35		3021101000	255567-91	吸管	suction pipe	1
36		30211005	608005	携管带	hose band	1
37		30212059	255562	挡板	latch	1
38		S01002		螺钉 M4×6	screw	2
39		302S09001	601115	连接螺钉	screw	1
40		30226004		销 4×16	pin	2
41		30203028		左轴套	sleeve	1
42		30203029		右轴套	sleeve	1
43		30226021		销子	pin	1



二十三、35AC挡料专用件部件/35AC Specific parts						
序号	No.	件号 Parts No.	参考件号 Ref.Part.No.	名称	Description	数量 Number
1		300661	250321-91	前罩缝台组件	front cover assy	1
2		30201051	250178C	前罩缝台	front cover	1
3		30201016		合销块	hinge	1
4		301S20002		螺钉	screw	1
5		30228012		垫片	washer	2
6		30226014		销子	pin	1
7		S10005		螺钉 M3×3	screw	2
8		30201107	250168B	(35AC) 针板架	needle plate holder	1
9		30201106	250210-91	(35AC) 左盖	cloth plate	1
10		S01004	7019	螺钉 M4×7.8	screw	4
11		30212155	257743A	辅助板 (窄)	fabric guide	1
12		30201050	258050-91	夹子	binder complete	1
14		30212024	258014	导向板	elastic guide	1
15		W01001	303448	垫圈4	washer	10
16		S04002		螺钉 M5×16	screw	4
17		30212046	257743	辅助板 (宽)	fabric guide	1
18		S01012	7031	螺钉 M2.5×4	screw	2
19		3021206000	258015A91	布导向组件	fabric guide assy	1
20		30102050	251010A	连杆偏心轴	eccentric pin	1
21		30128030	205097	偏心轴垫	washer	1
22		S02007		螺钉 M3×5	screw	1
23		30212150		(35AC) 缝台盖板	auxiliary plate	1
24		S02001	7043	螺钉M4×8	screw	3
25		400308		针杆曲柄	motion assy	1
26		30215024		针板	needle plate	1
27		302120700		档布板组件	File cloth plate component	1
28		30214015		差动牙	diff feed dog	1
29		30214014		送布牙	main feed dog	1

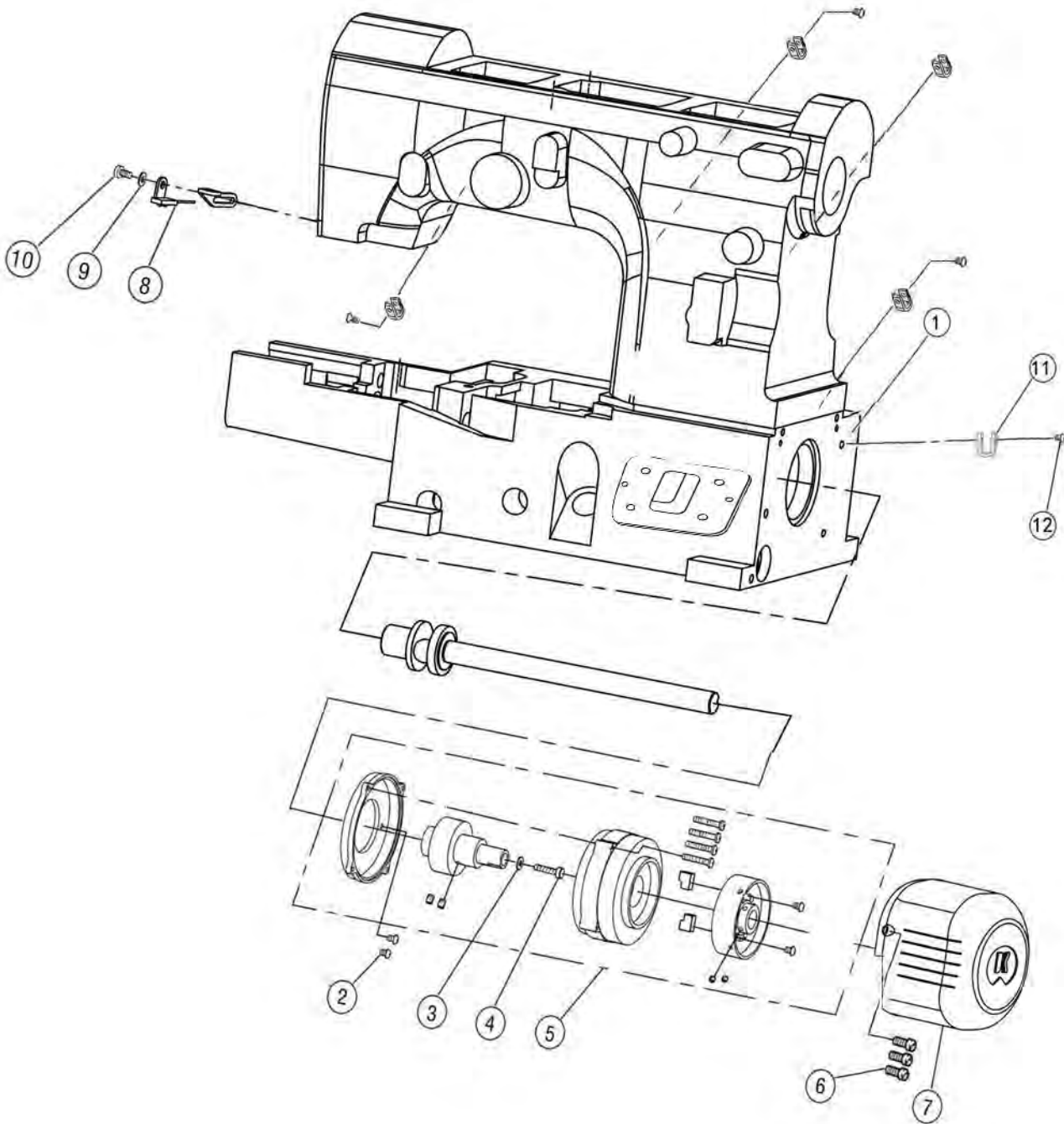


二十四、后凸轮架部件/After Fight Cam Assemblies						
序号	No.	件号 Parts No.	参考件号 Ref.Part.No.	名称	Description	数量 Number
1		30503061		连杆组件	Eccenentric assy	1
	1	30503061	256500-920	连杆轴套	Eccenentric	1
	2	S10029	45550	螺钉M6x0.75x5	screw	2
	3	S12003	45480	螺钉M6x0.75x7	screw	2
	4	30505025	2565010	连杆	Connection	1
	5	30224001	240236-20	滚针轴承	Needle Bearing	1
6		30503060	2565020	轴套	Coolar	1
7		S10013	45470	螺钉6x6	screw	2
8		30504035	2565030	曲柄	Crank	1
9		S10029	45480	螺钉M6x0.75x5	screw	2
10		30126006	2545040	连杆销	screw	1
11		W01004	2400620	垫片5	washer	1
12		N01004	48050	螺母M5	nut	1
13		30508001	2016350	挡圈	coolar	1
14		S10006	50600	螺钉M5x6	screw	2
15		301175	256504-9P0	后盖（喷漆）	bracket assembly	1
16		30522070	2565070	后盖密封圈	O ring	1
17		30522069	2565080	油封	plug	1
18		207S13004	45230	螺钉M6x35	bolt	4
19		20122021	2100690	油封	oil seal	1
20		30502045	2565090	拖轮轴	shaft	1
21		30128015	2061800	摆动连杆轴垫圈	washer	1
22		H05004	3066710	挡圈12	ring	1
23		30522019	2112470	油封	plug	1
24		301180	256536-9P0	支撑座	bracket assembly	1
25		30202100	2565450	U型轴	guide bar	1
26		S01060	45180	螺钉M6x35	bolt	2
27		S10027	45140	螺钉M5x5	screw	2
28		30212100	2565460	压板	cover	1
29		S01005	70620	螺钉	screw	2
30		30225100	2565440	橡胶轮式	lower rooller	1
31		30225101	2565400	齿轮式	lower toothed rooller	1
32		20103020		铜套	sleeve	2
33		P03002	VCL19	销子	pin	2
34		30512047	2565220	连接板	connecting plate	1
35		30512048	2565230	压板	lever	1
36		305S20010	71410	螺钉	screw	2
37		30528011	3067890	垫片	washer	1
38		S01065	70790	螺钉M5x6	screw	2
39		N01001	48210	螺母	nut	1

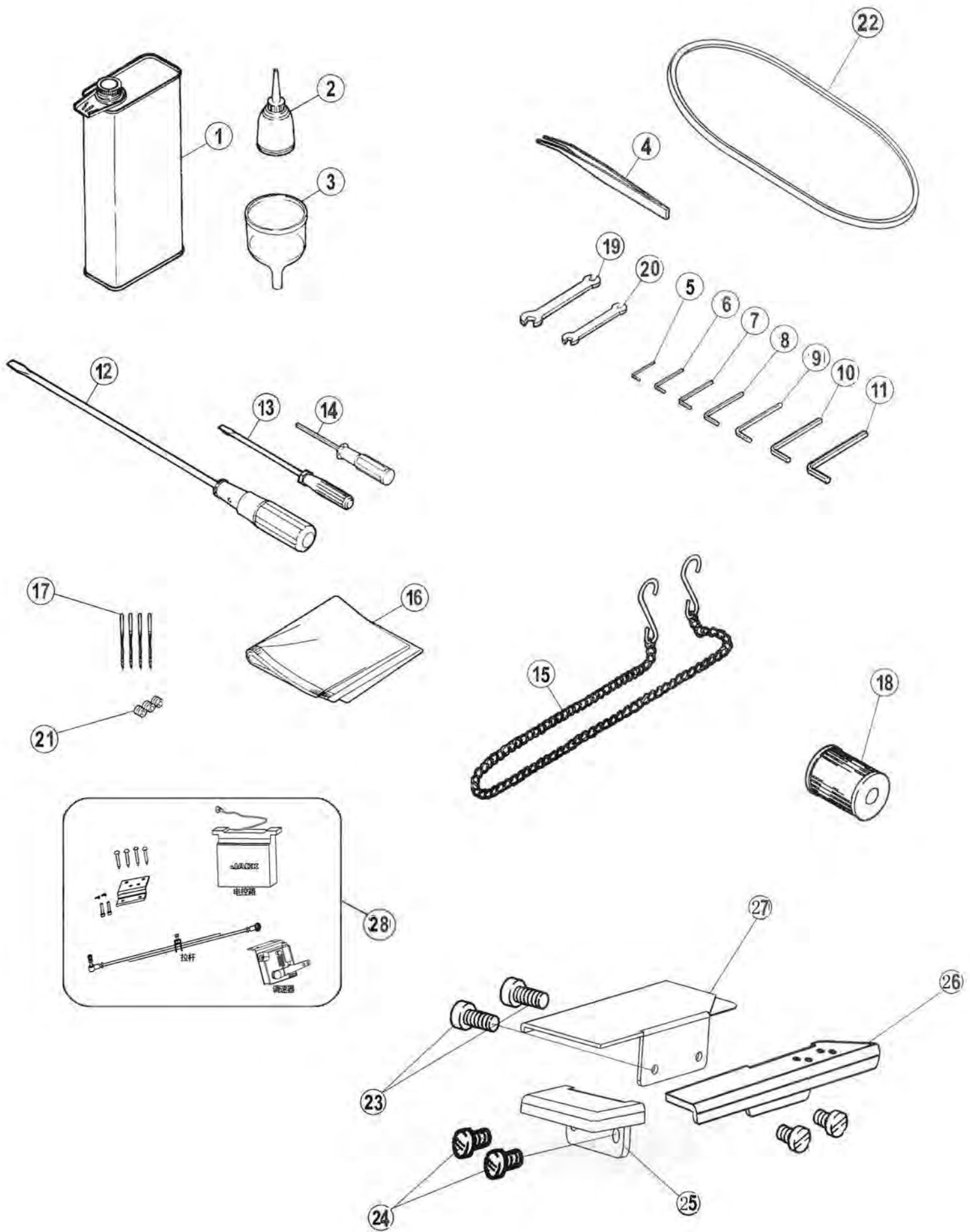


二十五、后拖轮部件/After Cam Assemblies						
序号	No.	件号 Parts No.	参考件号 Ref.Part.No.	名称	Description	数量 Number
1		31175	2565120	压脚架	Finger Screw	1
2		305S3006	0045330	调节螺钉	Adjusting Screw	1
3		S05031	2565180	螺钉M6×20	screw	2
4		30502022	2029010	轴	Shaft	1
5		H04001	2002570	卡簧	Spring	1
6		30527011	VCL19	弹簧	Spring	1
7		P03002	2565170	销子	Pin	2
8		30212102	0045100	压板	Bracket	1
9		S05031	007025A0	螺钉M6×16	screw	1
10		S01018	0048210	螺钉M4×20	screw	3
11		N01001	2565190	螺帽	Nut	1
12		30212103	0070600	压板	Bracket	1
13		305S20010	3067890	螺钉	screw	2
14		30528011	2565200	垫片	washer	1
15		30204100	2565210	曲柄	Crank	1
16		305S20011	256524-910	螺钉	screw	1
17		3051205100	2565270	调节板	Regulator Plate	1
18		305S20013	2402580	螺钉	screw	2
19		30528012	256529A0	压板	Bracket	1
20		30212104	0070680	调节板	Regulator Plate	1
21		L02012	256530A0	螺钉	screw	2
22		30526020	0045140	销子M5×5	Pin	1
23		S09008	2565310	螺钉	screw	1
24		30512055	0070830	冲压件铁壁	Jib	1
25		S02014	2565330	螺钉M3.5×8.5	screw	3
26		30512056	256528-920	蝶形卡簧	Spring	1
27		30201100	0045100	压轮架	Press Wheel Cover	1
28		S05031	NM810	螺钉M6×16	screw	1
29		N01008	WM800	螺母M8	Nut	2
30		W01010		垫圈8	washer	2
31		30203100	VCL31	铁套	Iron set	1
32		30503036		轴套	Bushing	2
33		30202101	0045140	轴	Shaft	1
34		S09008	2565480	螺钉M5×5	screw	2
35		30512054	0070680	挡板	Plate	1
36		S01065	0070680	螺钉M5×6	screw	2
37		S01065		螺钉M5×6	screw	2
38		H04004		卡簧	Spring	1
39		30203101		隔套	spacer	1
40		30203102	256550-910	滚针轴承	Iron Cover	1
41		30203103	0070830	齿轮套组件	Gear Wheel Cover	1
42		S02014	2565350	螺钉M3.5×8.5	screw	3
43		30512057	CL49	压板	Bracket	1
44		30526011	0071390	曲柄球	Iron Cover	1
45		305S11012	0045390	螺钉	screw	1

二十五、后拖轮部件/After Cam Assemblies					
46	S09008	2565580	螺钉M5×5	screw	1
47	305S16006	256513-920	螺母20	Nut	1
48	30504015	0045340	曲柄	Crank	1
49	S05037	2565140	螺钉M6×15	screw	1
50	305S30009	1374410	螺钉	screw	1
51	W01004	240011-20	垫圈5	washer	1
52	B07011	CL50	滚针轴承	Iron Cover	1
53	30505020	0048050	连杆	Bearings	1
54	N01004	CL50	螺母M5	Nut	1
55	30503034	CL50	连杆	Bearings	1
56	30503034	SM524	连杆	Bearings	1
57	305S30007	2565430	螺钉M5×8.5	screw	2
58	30225102	2565380	橡胶轮	Upper Roller	1
59	30225103	0070830	齿轮	Upper Toothed Roller	1
60	S02014		螺钉	screw	3
61	30226050	NM410	固定齿销	screw	2
62	N01001		螺帽	Nut	2
63	305S11011	CL26	螺钉	screw	2
64	30503031	VCL19	铜套	Bushing	2
65	30226004		销子	Pin	2



二十六、DI部件专用件/DI Specific parts						
序号	No.	件号 Parts No.	参考件号 Ref.Part.No.	名称	Description	数量 Number
1		302024		机壳(喷漆)		1
2		S01005		螺钉M4X5.5	screw	2
3		W02004		垫片	washer	1
4		114S30001		螺栓	screw	1
5		3013300300		电机组件		1
6		S01011		螺钉	screw	3
7		30211047		电机罩壳	plulley cover	1
8		3013005900		LED灯组件	LED light	1
9		W01001		垫片	washer	1
10		S05190		螺钉M4×12	screw	1
11		20711210		线夹		5
12		207S11007		螺钉	screw	4



二十七、附件部件/Accessories assemblies						
序号	No.	件号 Parts No.	参考件号 Ref.Part.No.	名称	Description	数量 Number
1		20131037		油壶 (大)	oil container	1
2		20131038		硅油壶	oiler	1
3		20131039		漏斗	oil funnel	1
4		20131051		镊子	tweezers	1
5		30131007		内六角扳手 (1.5mm)	allen key driver/1.5mm	1
6		20131046		内六角扳手 (2mm)	allen key driver/2mm	1
7		30131013		内六角扳手 (3mm)	allen key driver/3mm	1
8		30131010		内六角扳手 (4mm)	allen key driver/4mm	1
9		20131012		内六角扳手 (5mm)	allen key driver/5mm	1
10		20131047		内六角扳手 (6mm)	allen key driver/6mm	1
11		20131056		内六角扳手 (8mm)	allen key driver/8mm	1
12		10131002		螺丝刀 (大)	screwdriver(large)	1
13		10131004		螺丝刀 (小)	screwdriver(small)	1
14		20131044		内六角扳手 (1.5mm直插)	allen key driver driver/1.5mm	1
15		30131018		链条	chain	1
16		10131005		机头罩	dust cover	1
17		30117001		机针	needle	4
18		20136001		滤油器	filter element	1
19		30131005		扳手 (7mm-9mm)	wrench/(7mm-9mm)	1
20		30131006		扳手 (8mm-10mm)	wrench/(8mm-10mm)	1
21		S10005		螺钉 M3×3	screw	3
22		30135004		皮带	leather belt	1
23		S01060		螺钉 M6×10	screw	2
24		S01065		螺钉 M5×6	screw	2
25		30212050		缝台板 (前)	machine table(front)	1
26		30212048		缝台板 (右)	machine table(right)	1
27		30212049		缝台板 (左)	machine table(left)	1
28		3023001600		直驱控制器(直驱专用)	DI Special Part	1

缝纫组合件表 (1)

机型	缝样	针古	针板	主送布牙	差动送布牙	压脚	弯针	护针 (前)	护针 (后)	喂针	机针
MACHINE TYPE /SPEC.	GAUGE	NEEDLE HOLDER	NEEDLE PLATE	MAIN FEED DOG	DIFF FEED DOG	PRESSER FOOT	LOOPER	NEEDLE GUARD		SPREADER	NEEDLE
								FRONT	REAR		
8669B-01GB	356	30134001	30115067	3021400100	3021400100	3011601300	30217003	30217001	30217002	30117005	30117011(1)
	364	30134002	30115068			3011601400					
8669B-02BB	356	30134001	30115006	30214008	30214009	30116005	30217003	30217001	30217002	30117005	30117011(1)
	364	30134002	30115007			30116006					
8669-03DB	356	30134001	30115002	3021400100	3021400100	3011601300	30217003	30217001	30217002	30117005	30117011(1)
	364	30134002	30115003			3011601400					
8669-05CB	356	30134001	30115004			30116003	30217003	30217001	30217002	30117005	30117001(1)
	364	30134002	30115005			30116004					
8669-08AC	356	30134001	30115004	3021400100	3021400100	3011601300	30217003	30217001	30217002	30117005	30117011(1)
	364	30134002	30115005			3011601300					
8669B-35AC	356	30134003	30215008	30214014	30214015	30216005	30217003	30217001	30217002	30117005	30117001(1)
	364	30134005									

产品标准代号: QB/T2044-2010

Standard code of the products: QB/T2044-2010



杰克缝纫机股份有限公司

JACK SEWING MACHINE CO.,LTD.

- 公司地址(Address of Company):
台州市椒江区机场南路15号
No. 15 Rd Airport South, Jiaojiang District Taizhou City, Zhejiang, P.R.C
- 国内销售部(Domestic Trade Department):
电话(TEL): 0086-576-88177788 88177789
传真(FAX): 0086-576-88177758
- 国贸部(International Trade Department):
电话(TEL): 0086-576-88177782 88177774
传真(FAX): 0086-576-88177787
- 零件部(Spare Part Department):
电话(TEL): 0086-576-88177798 88177785
传真(FAX): 0086-576-88177775
- 免费售后服务电话(Aftersale Service TEL): 4008876858
<http://www.chinajack.com>
- 资料如有更改, 恕不另行通知, 以实样为准。
You will be not informed if the file has been revised. Please set sample as standard.
- 2015-12