

# JACK

China No.1

## Computerized Lockstitch Machine

WITH EDGE TRIMMER INTERGRATED, AUTOMATIC PRESSER FOOT LIFTER



JK-5559WE

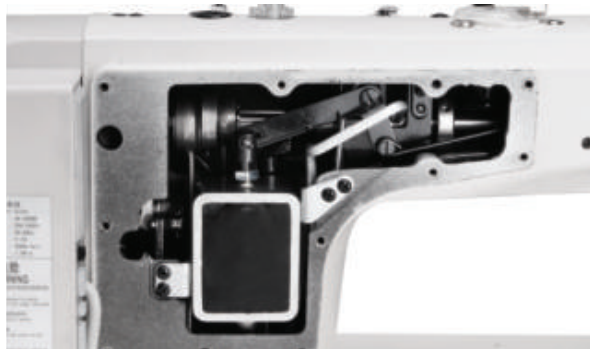
Jack Sewing Machines UK

Web: [www.jacksewingmachines.co.uk](http://www.jacksewingmachines.co.uk)

Email: [info@jacksewingmachines.co.uk](mailto:info@jacksewingmachines.co.uk)

# JACK

China No.1



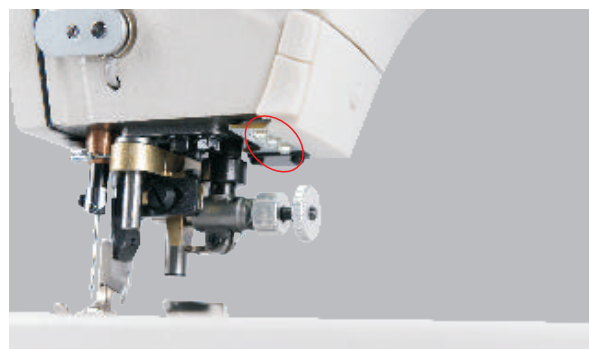
Automatic Presser Foot Lifter



26mm Dust Collector Space



Integrated, Easy to Install



LED light

## Advantages:

			(mm)	(mm)	(mm)	(S.p.m)				(mm)	NW / GW (kg)	
JK-5558B	DBX1 11-18#	2	1/8	5	5-13	4000				635x245x550	33.5/40.2	
JK-5558WB	DBX1 11-18#	2	1/8	5	5-13	4000				635x245x550	33.5/40.2	
JK-5559WE	DBX1 11-18#	2	1/8	5	5-13	4000	✓	✓	✓	645x248x550	36.5/42.5	

JK-5558WB is power saving machine. "W" means semi-dry system.