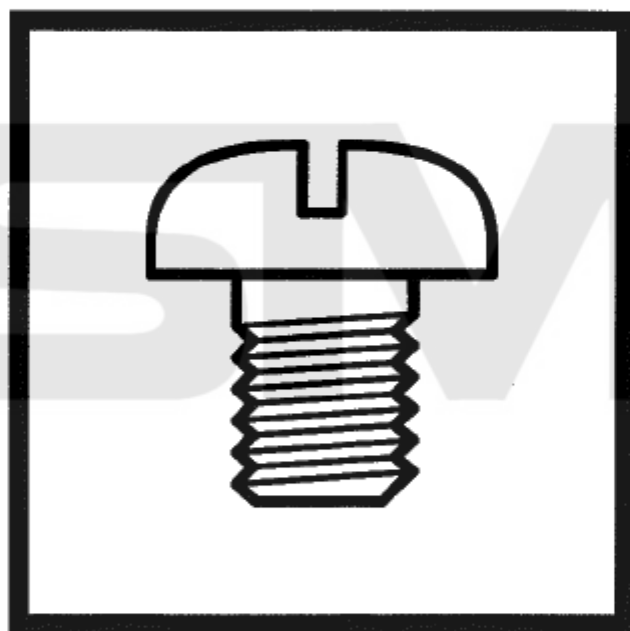


CB-2710, CB-2720 / TC3

パーツブック
PARTS BOOK

電磁式テープカッター装置 (TC-3 装置)

SOLENOID-TYPE TAPE CUTTER



brother®

パーツブックご利用に際して

1. 部品コード欄、記事欄が*となっている場合は（5ページ）の仕様別部品一覧表でお調べ下さい。
2. この本は1988年4月のデータにもとづいて作成されたものです。
3. 部品は予告なしに設計変更される場合があります。

目 次

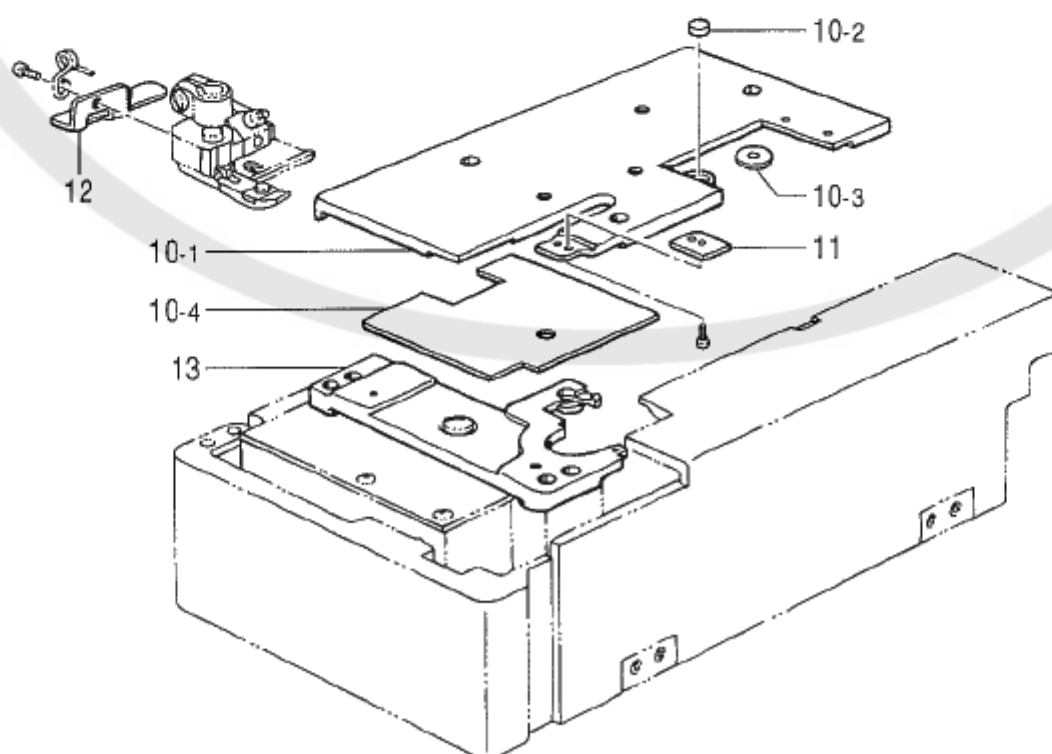
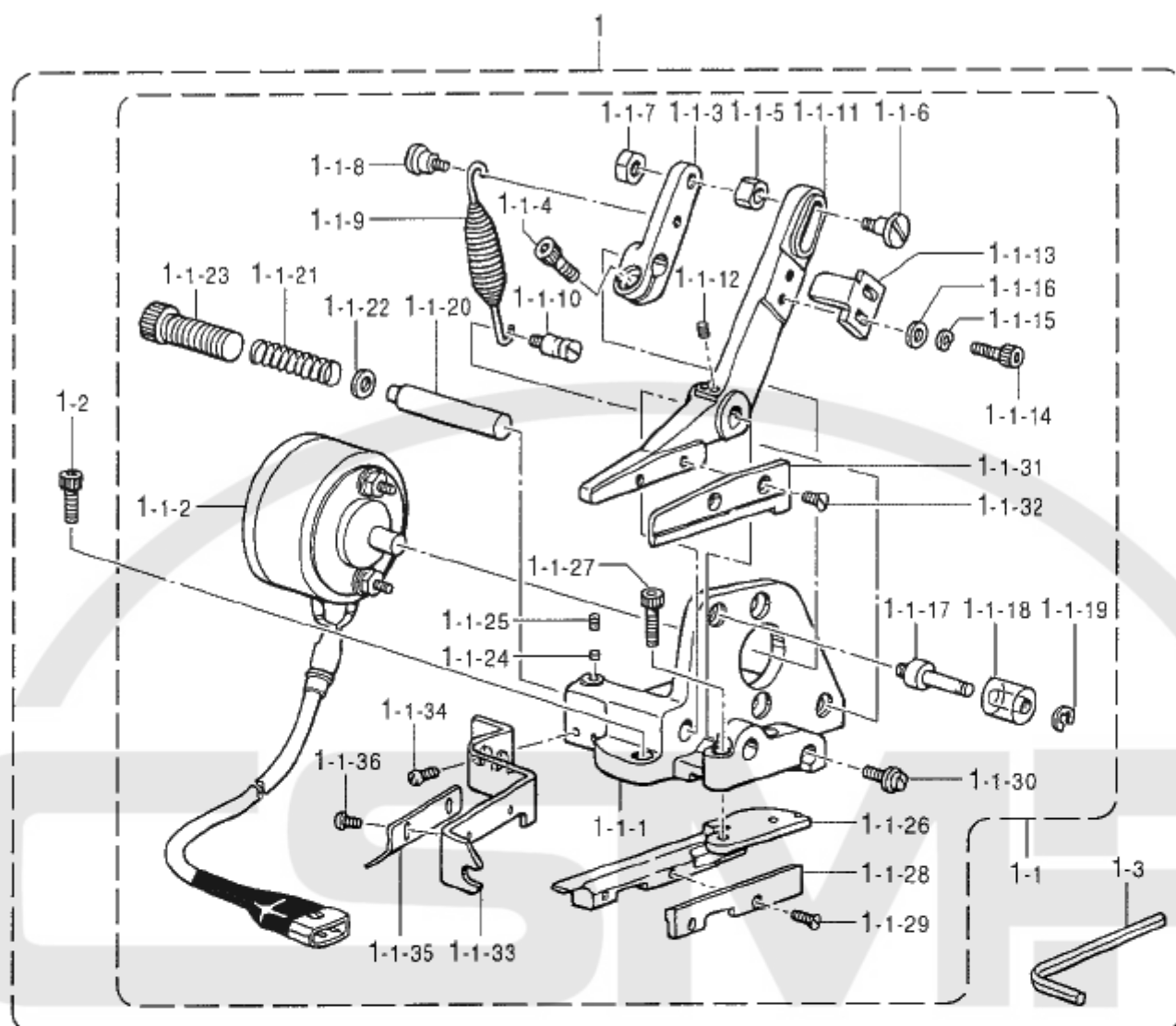
| | |
|--------------------------|---|
| A. テープカッター電磁関係..... | 1 |
| B. T.CコントロールBOX 関係 | 3 |
| 仕様別部品一覧表..... | 5 |
| 索 引..... | 6 |
| ゲージ部品..... | 7 |

Notes for using this parts book

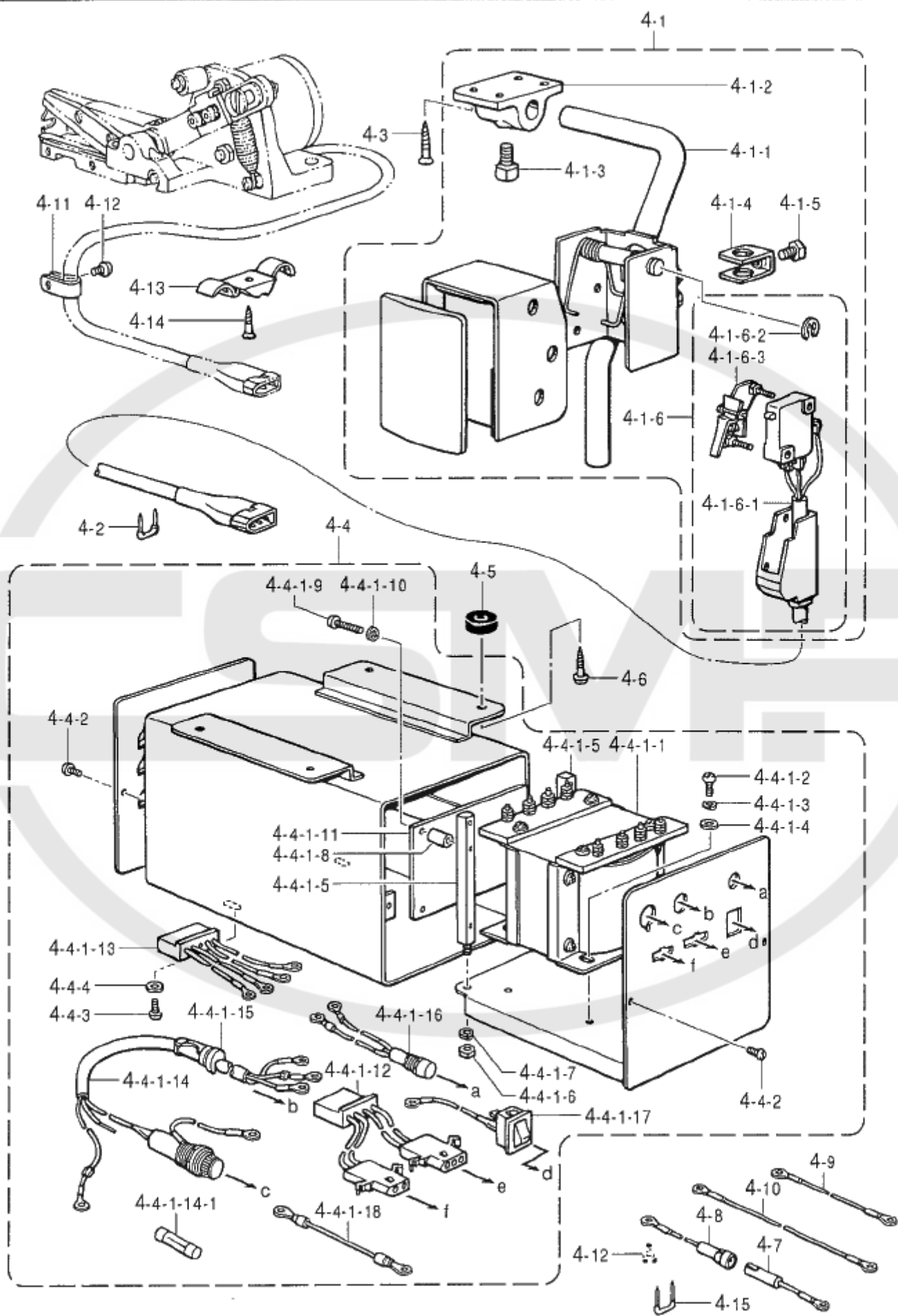
1. If the parts code column is marked with an asterisk (*), see page 5 for the different parts list.
2. This parts book is based on data current as of April 1988.
3. Parts are subject to redesign and modification without prior notice.

CONTENTS

| | |
|---|---|
| A. Tape cutter solenoid mechanism | 1 |
| B. Tape cutter controller box mechanism | 3 |
| DIFFERENT PARTS LIST | 5 |
| INDEX | 6 |
| GAUGE PARTS LIST | 7 |



| REF.NO. | CODE | Q'TY | ヒンメイ | NAME OF PARTS | RMKS |
|---------|-----------|------|-----------------|-------------------------------|------|
| 1 | S11631001 | 1 | テープカッターデ"ンシ"クミ | TAPE CUTTER SOLENOID ASSEMBLY | |
| 1-1 | S11612001 | 1 | T.Cデ"ンシ"ソウチクミ | TAPE CUTTER SOLENOID DEVICE | |
| 1-1-1 | S11613001 | 1 | ソレノイド"ト"ダイ | SOLENOID BASE | |
| 1-1-2 | S11614001 | 1 | テープカッターソレノイド" | TAPE CUTTER SOLENOID | |
| 1-1-3 | S11615001 | 1 | カッタークト"ウレハ" | CUTTER DRIVING LEVER | |
| 1-1-4 | 018771432 | 1 | アナボ"ルト635-40X14 | BOLT 6.35X14 | |
| 1-1-5 | S11616001 | 1 | カクゴ"マ | SLIDE BLOCK | |
| 1-1-6 | 155558001 | 1 | タ"ンネシ"6.35 | STUD SCREW 6.35 | |
| 1-1-7 | 150555001 | 1 | ナツ"6.35 | NUT 6.35 | |
| 1-1-8 | 151987001 | 1 | タ"ンネシ"4.37 | STUD SCREW 4.37 | |
| 1-1-9 | S11617001 | 1 | モト"シハ"ネ | SPRING | |
| 1-1-10 | S02562001 | 1 | ハ"ネカケ | SPRING HOOK | |
| 1-1-11 | S11618001 | 1 | カッターレハ" | CUTTER LEVER | |
| 1-1-12 | 014680622 | 2 | アナトメネシ"4.37クホ"ミ | SCREW 4.37 | |
| 1-1-13 | S11619001 | 1 | ストツハ"アテ | STOPPER PLATE | |
| 1-1-14 | 018501222 | 2 | アナボ"ルト5X12 | BOLT 5X12 | |
| 1-1-15 | 028050242 | 2 | ハ"ネサ"ガ"ネ2-5 | SPRING WASHER 2-5 | |
| 1-1-16 | 146354001 | 2 | サ"カ"ネ | WASHER | |
| 1-1-17 | S11620001 | 1 | ストツハ"シ"ク | STOPPER SHAFT | |
| 1-1-18 | S11621000 | 1 | ストツハ"ゴ"ム | STOPPER RUBBER | |
| 1-1-19 | 048040342 | 1 | トメフE4 | STOP RING E4 | |
| 1-1-20 | S11622001 | 1 | カッターレハ"シ"ク | CUTTER LEVER SHAFT | |
| 1-1-21 | S11623001 | 1 | カッターレハ"シ"クハ"ネ | SPRING | |
| 1-1-22 | 140407001 | 1 | サ"カ"ネ | WASHER | |
| 1-1-23 | 113625001 | 1 | オサエチヨウセツネシ" | PRESSER ADJUSTING SCREW | |
| 1-1-24 | S11624000 | 1 | トメネシ"アテ | SCREW PLATE | |
| 1-1-25 | 014680422 | 1 | アナトメネシ"4.37クホ"ミ | SCREW 4.37 | |
| 1-1-26 | S11625001 | 1 | シタハ"ト"ダイ | LOWER KNIFE BASE | |
| 1-1-27 | 018501422 | 2 | アナボ"ルト5X14 | BOLT 5X14 | |
| 1-1-28 | S11626001 | 1 | シタハ | LOWER KNIFE | |
| 1-1-29 | 003300812 | 2 | サラネシ"3X8 | SCREW 3X8 | |
| 1-1-30 | S11627001 | 1 | シタハチヨウセツネシ" | LOWER KNIFE ADJUSTING SCREW | |
| 1-1-31 | S11628001 | 1 | ウフハ | UPPER KNIFE | |
| 1-1-32 | 061401212 | 2 | サラコ4X12 | SCREW 4X12 | |
| 1-1-33 | S11629001 | 1 | ウフハガ"ート"A | GUARD(A) | |
| 1-1-34 | 060680712 | 2 | ハ"イント"437-40X7 | SCREW 4.37X7 | |
| 1-1-35 | S11630001 | 1 | ウフハガ"ート"B | GUARD(B) | |
| 1-1-36 | S01297001 | 2 | シメネシ"3.57X3.5 | SCREW 3.57X3.5 | |
| 1-2 | 018081622 | 2 | アナボ"ルト6X16 | BOLT 6X16 | |
| 1-3 | 118064001 | 1 | 6カクホ"ウスハ"ナ4 | ALLEN WRENCH 4 | |
| 10 | S11563001 | 1 | クロスフ"レートRクミ | CLOTH PLATE(R)ASSEMBLY | |
| 10-1 | S11564001 | 1 | クロスフ"レートR | CLOTH PLATE(R) | |
| 10-2 | S08646100 | 1 | マグ"ネット | MAGNET | |
| 10-3 | S08639000 | 1 | クロスフ"レートハ"ツキン | CLOTH PLATE PACKING | |
| 10-4 | S11568000 | 1 | セイシ"ンシート | SHEET | |
| 11 | S11567001 | 1 | クロスフ"レートホシ"ヨイタ | SUB-CLOTH PLATE | |
| 12 | S11644001 | 1 | ヌノサエ | CLOTH PRESSER PLATE | |
| 13 | S11569001 | 1 | ハリイ"タササエ"イタ | NEEDLE PLATE SUPPORTER PLATE | |



| REF.NO. | CODE | Q'TY | 品名 | NAME OF PARTS | RMKS |
|------------|-----------|------|----------------|----------------------------------|------|
| 4 | * | 1 | T.CコントロールBOXクミ | T.C.CONTROLLER BOX ASSEMBLY | |
| 4-1 | 147776001 | 1 | ヒサ"スイッチクミ | KNEE SWITCH ASSEMBLY | |
| 4-1-1 | 147774001 | 1 | ヒサ"スイッチタテシ"ク | KNEE SWITCH SHAFT | |
| 4-1-2 | 142027001 | 1 | ヒサ"スイッチタテシ"クウケ | KNEE LIFTER SWITCH SHAFT BRACKET | |
| 4-1-3 | 100463001 | 1 | 4カクホ"ルト7.94 | BOLT 7.94 | |
| 4-1-4 | 114967001 | 1 | ヒサ"アテストツハ" | STOPPER | |
| 4-1-5 | 110087001 | 1 | ホ"ルト5.95 | BOLT 5.95 | |
| 4-1-6 | 147835001 | 1 | ヒサ"SWケースカハ"ークミ | KNEE SWITCH CASE ASSEMBLY | |
| 4-1-6-1 | 147826001 | 1 | マイクロスイッチクミ | MICRO SWITCH ASSEMBLY | |
| 4-1-6-2 | 048060342 | 2 | トメワE6 | STOP RING E6 | |
| 4-1-6-3 | 142030000 | 1 | アクチエータ | ACTUATOR | |
| 4-2 | 200190001 | 4 | ステツアル | STEPL | |
| 4-3 | 034422503 | 4 | +サラモクネシ"4.1X25 | SCREW 4.1X25 | |
| 4-4 | * | 1 | コントロールホ"ツクスクミ | CONTROLLER BOX ASSEMBLY | |
| 4-4-1-1 | * | 1 | トランス | TRANSFORMER | |
| 4-4-1-2 | 062400805 | 4 | ナヘ"コ4X8 | SCREW 4X8 | |
| 4-4-1-3 | 028040243 | 4 | ハ"ネサ"ガ"ネ2-4 | SPRING WASHER 2-4 | |
| 4-4-1-4 | 025040233 | 4 | ヒラサ"ガ"ネチユウ4 | WASHER 4 | |
| 4-4-1-5 | 147808001 | 2 | キハ"ントリツケシ"ク | CIRCUIT SETTING SHAFT | |
| 4-4-1-6 | 021400164 | 2 | ナツト1シユ4 | NUT 4 | |
| 4-4-1-7 | 028040243 | 2 | ハ"ネサ"ガ"ネ2-4 | SPRING WASHER 2-4 | |
| 4-4-1-8 | 143498000 | 4 | プ"リントキハ"ンカラー | COLLAR | |
| 4-4-1-9 | 002302203 | 4 | +ナヘ"ネシ"3X22 | SCREW 3X22 | |
| 4-4-1-10 | 028030243 | 4 | ハ"ネサ"ガ"ネ2-3 | SPRING WASHER 2-3 | |
| 4-4-1-11 | S12511000 | 1 | テープ"カッターキハ"ン | TAPE CUTTER CIRCUIT | |
| 4-4-1-12 | S12512000 | 1 | ハーネスA | HARNESS(A) | |
| 4-4-1-13 | S12513000 | 1 | ハーネスB | HARNESS(B) | |
| 4-4-1-14 | S12514000 | 1 | コード"クミ | CORD ASSEMBLY | |
| 4-4-1-14-1 | 143529000 | 1 | ヒューズ" | FUSE | |
| 4-4-1-15 | 146244000 | 1 | ブ"ツシ"ク" | BUSHING | |
| 4-4-1-16 | S12516000 | 1 | ハ"イロツトランプ"クミ | PILOT LAMP ASSEMBLY | |
| 4-4-1-17 | S12663000 | 1 | スイッチクミ | SWITCH ASSEMBLY | |
| 4-4-1-18 | * | | ジ"ヤンハ"ーセン | JUMPER WIRE | |
| 4-4-2 | 008400564 | 4 | +トラス4X5 | SCREW 4X5 | |
| 4-4-3 | 062400805 | 2 | ナヘ"コ4X8 | SCREW 4X8 | |
| 4-4-4 | 025040233 | 2 | ヒラサ"ガ"ネチユウ4 | WASHER 4 | |
| 4-5 | 115018001 | 4 | カンシヨウコ"ム | CUSHION RUBBER | |
| 4-6 | 031483203 | 4 | マルモクネシ"4.8X32 | SCREW 4.8X32 | |
| 4-7 | S11633000 | 1 | アースセン1 | EARTH WIRE(1) | |
| 4-8 | S11634000 | 1 | アースセン2 | EARTH WIRE(2) | |
| 4-9 | S11635000 | 1 | アースセン3 | EARTH WIRE(3) | |
| 4-10 | S11636000 | 1 | アースセン4 | EARTH WIRE(4) | |
| 4-11 | 149547000 | 1 | コード"オサエ | NYLON CRAMP NK-4N | |
| 4-12 | 062680712 | 1 | ナヘ"コ437-40X7 | SCREW 437X7 | |
| 4-13 | S10859001 | 1 | クランプ" | CRAMP | |
| 4-14 | 101795001 | 1 | サラモクネシ"3.5X16 | SCREW 3.5X16 | |
| 4-15 | 200190001 | 3 | ステツアル | STEPL | |

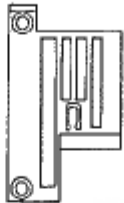
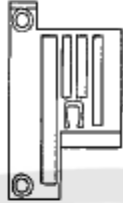
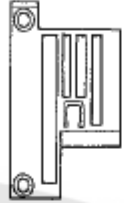
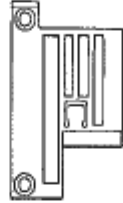
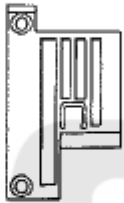
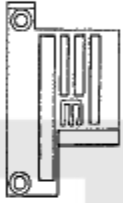
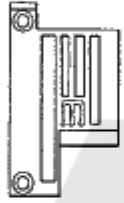
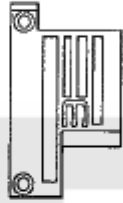

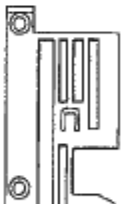
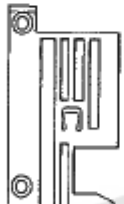

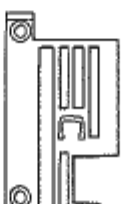
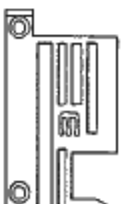
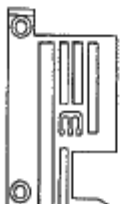
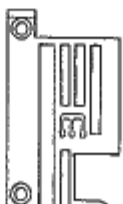
Sp. 仕様別部品一覧表 / DIFFERENT PARTS LIST

| モデル MODEL | サンショウバンゴウ REF. NO. | A-1~B-4 | B-4 | B-4-4 | B-4-4-1-1 | B-4-4-1-18 | | |
|--------------|------------------------------|---|--|--|--------------------|---------------------------|--|--|
| | ヒンメイ PARTS シヨウ SPEC | T.Cソウチセット デンジ T.CDEVICE COMPLETE SOLENOID | T.Cコントロール BOXクミ T.C CONTROLLER BOX ASSEMBLY | コントロールBOX クミ CONTROLLER BOX ASSEMBLY | トランス TRASFORMER | ジャンパーセン JUMPER WIRE | | |
| TC3 | 100V | S11642001 | S11632001 | 148356101 | 147807100 | S12517000 (コスト.QTY2) | | |
| TC3 | 200V | S11642003 | S11632003 | 147802101 | 147807100 | S12517000 (コスト.QTY2) | | |
| TC3 | 110V | S11642002 | S11632002 | 148358001 | 148364100 | S12517000 (コスト.QTY2) | | |
| TC3 | 220V | S11642004 | S11632004 | 148360101 | 148364100 | S12517000 (コスト.QTY1) | | |
| TC3 | 240V | S11642006 | S11632006 | 148362101 | 148364100 | S12517000 (コスト.QTY1) | | |
| TC3 | 380V | S11642007 | S11632007 | 149012101 | 149014100 | ----- | | |
| TC3 | 400V | S11642008 | S11632008 | 149015101 | 149014100 | ----- | | |
| TC3 | 415V | S11642009 | S11632009 | S12518101 | 149014100 | ----- | | |
| | | | | | | | | |

| CODE | REF.NO. | PAGE |
|-----------|--------------|------|
| S01297001 | A - 1-1-36 | 2 |
| S02562001 | A - 1-1-10 | 2 |
| S08639000 | A - 10-3 | 2 |
| S08646100 | A - 10-2 | 2 |
| S10859001 | B - 4-13 | 4 |
| S11563001 | A - 10 | 2 |
| S11564001 | A - 10-1 | 2 |
| S11567001 | A - 11 | 2 |
| S11568000 | A - 10-4 | 2 |
| S11569001 | A - 13 | 2 |
| S11612001 | A - 1-1 | 2 |
| S11613001 | A - 1-1-1 | 2 |
| S11614001 | A - 1-1-2 | 2 |
| S11615001 | A - 1-1-3 | 2 |
| S11616001 | A - 1-1-5 | 2 |
| S11617001 | A - 1-1-9 | 2 |
| S11618001 | A - 1-1-11 | 2 |
| S11619001 | A - 1-1-13 | 2 |
| S11620001 | A - 1-1-17 | 2 |
| S11621000 | A - 1-1-18 | 2 |
| S11622001 | A - 1-1-20 | 2 |
| S11623001 | A - 1-1-21 | 2 |
| S11624000 | A - 1-1-24 | 2 |
| S11625001 | A - 1-1-26 | 2 |
| S11626001 | A - 1-1-28 | 2 |
| S11627001 | A - 1-1-30 | 2 |
| S11628001 | A - 1-1-31 | 2 |
| S11629001 | A - 1-1-33 | 2 |
| S11630001 | A - 1-1-35 | 2 |
| S11631001 | A - 1 | 2 |
| S11632001 | B - 4 | 4 |
| S11632002 | B - 4 | 4 |
| S11632003 | B - 4 | 4 |
| S11632004 | B - 4 | 4 |
| S11632006 | B - 4 | 4 |
| S11632007 | B - 4 | 4 |
| S11632008 | B - 4 | 4 |
| S11632009 | B - 4 | 4 |
| S11633000 | B - 4-7 | 4 |
| S11634000 | B - 4-8 | 4 |
| S11635000 | B - 4-9 | 4 |
| S11636000 | B - 4-10 | 4 |
| S11644001 | A - 12 | 2 |
| S12511000 | B - 4-4-1-11 | 4 |
| S12512000 | B - 4-4-1-12 | 4 |
| S12513000 | B - 4-4-1-13 | 4 |
| S12514000 | B - 4-4-1-14 | 4 |
| S12516000 | B - 4-4-1-16 | 4 |
| S12517000 | B - 4-4-1-18 | 4 |
| S12518101 | B - 4-4 | 4 |
| S12663000 | B - 4-4-1-17 | 4 |
| 002302203 | B - 4-4-1-9 | 4 |
| 003300812 | A - 1-1-29 | 2 |
| 008400564 | B - 4-4-2 | 4 |
| 014680422 | A - 1-1-25 | 2 |
| 014680622 | A - 1-1-12 | 2 |
| 018061622 | A - 1-2 | 2 |
| 018501222 | A - 1-1-14 | 2 |
| 018501422 | A - 1-1-27 | 2 |
| 018771432 | A - 1-1-4 | 2 |
| 021400164 | B - 4-4-1-6 | 4 |
| 025040233 | B - 4-4-1-4 | 4 |
| | B - 4-4-4 | 4 |
| 028030243 | B - 4-4-1-10 | 4 |
| 028040243 | B - 4-4-1-3 | 4 |
| | B - 4-4-1-7 | 4 |
| 028050242 | A - 1-1-15 | 2 |

| CODE | REF.NO. | PAGE |
|-----------|----------------|------|
| 031483203 | B - 4-6 | 4 |
| 034422503 | B - 4-3 | 4 |
| 048040342 | A - 1-1-19 | 2 |
| 048060342 | B - 4-1-6-2 | 4 |
| 060680712 | A - 1-1-34 | 2 |
| 061401212 | A - 1-1-32 | 2 |
| 062400805 | B - 4-4-1-2 | 4 |
| | B - 4-4-3 | 4 |
| 062680712 | B - 4-12 | 4 |
| 100463001 | B - 4-1-3 | 4 |
| 101795001 | B - 4-14 | 4 |
| 110087001 | B - 4-1-5 | 4 |
| 113625001 | A - 1-1-23 | 2 |
| 114967001 | B - 4-1-4 | 4 |
| 115018001 | B - 4-5 | 4 |
| 118064001 | A - 1-3 | 2 |
| 140407001 | A - 1-1-22 | 2 |
| 142027001 | B - 4-1-2 | 4 |
| 142030000 | B - 4-1-6-3 | 4 |
| 143498000 | B - 4-4-1-8 | 4 |
| 143529000 | B - 4-4-1-14-1 | 4 |
| 146244000 | B - 4-4-1-15 | 4 |
| 146354001 | A - 1-1-16 | 2 |
| 147774001 | B - 4-1-1 | 4 |
| 147776001 | B - 4-1 | 4 |
| 147802101 | B - 4-4 | 4 |
| 147807100 | B - 4-4-1-1 | 4 |
| 147808001 | B - 4-4-1-5 | 4 |
| 147826001 | B - 4-1-6-1 | 4 |
| 147835001 | B - 4-1-6 | 4 |
| 148356101 | B - 4-4 | 4 |
| 148358101 | B - 4-4 | 4 |
| 148360101 | B - 4-4 | 4 |
| 148362101 | B - 4-4 | 4 |
| 148364100 | B - 4-4-1-1 | 4 |
| 149012101 | B - 4-4 | 4 |
| 149014100 | B - 4-4-1-1 | 4 |
| 149015101 | B - 4-4 | 4 |
| 149547000 | B - 4-11 | 4 |
| 150555001 | A - 1-1-7 | 2 |
| 151987001 | A - 1-1-8 | 2 |
| 155558001 | A - 1-1-6 | 2 |
| 200190001 | B - 4-15 | 4 |
| | B - 4-2 | 4 |

3a . ゲージ部品一覧表 / Gauge parts List

| 用途 APPLICATION | テープ付用 Tape Attaching | | | |
|--------------------------|---|---|--|---|
| 針数(本) NO. OF NEEDLES | 2 | 2 | 2 | 2 |
| 針巾 Needle Spacing(MM) | 3.2 | 4.0 | 4.8 | 5.6 |
| 針板 NEEDLE PLATE |  S11570-001 |  S11571-001 |  S11572-001 |  S11573-001 |
| 針数(本) NO. OF NEEDLES | 2 | 3 | 3 | 3 |
| 針巾 Needle Spacing(MM) | 6.4 | 4.8 | 5.6 | 6.4 |
| 針板 NEEDLE PLATE |  S11574-001 |  S11575-001 |  S11576-001 |  S11577-001 |
| 用途 APPLICATION | レースゴミ付用 (トップメータリング装置付) Elastic Lace Attaching (w/Top Metering Device & Edge Trimming Device) | | | |
| 針数(本) NO. OF NEEDLES | 2 | 2 | 2 | 2 |
| 針巾 Needle Spacing(MM) | 3.2 | 4.0 | 4.8 | 5.6 |
| 針板 NEEDLE PLATE |  S11578-001 |  S11579-001 |  S11580-001 |  S11581-001 |
| 針数(本) NO. OF NEEDLES | 2 | 3 | 3 | 3 |
| 針巾 Needle Spacing(MM) | 6.4 | 4.8 | 5.6 | 6.4 |
| 針板 NEEDLE PLATE |  S11582-001 |  S11583-001 |  S11584-001 |  S11585-001 |

brother®



パーツブック
PARTS BOOK

ブラザー工業株式会社

BROTHER INDUSTRIES, LTD

Printed in Japan

118-272
195272-121
2002.06.B (1)