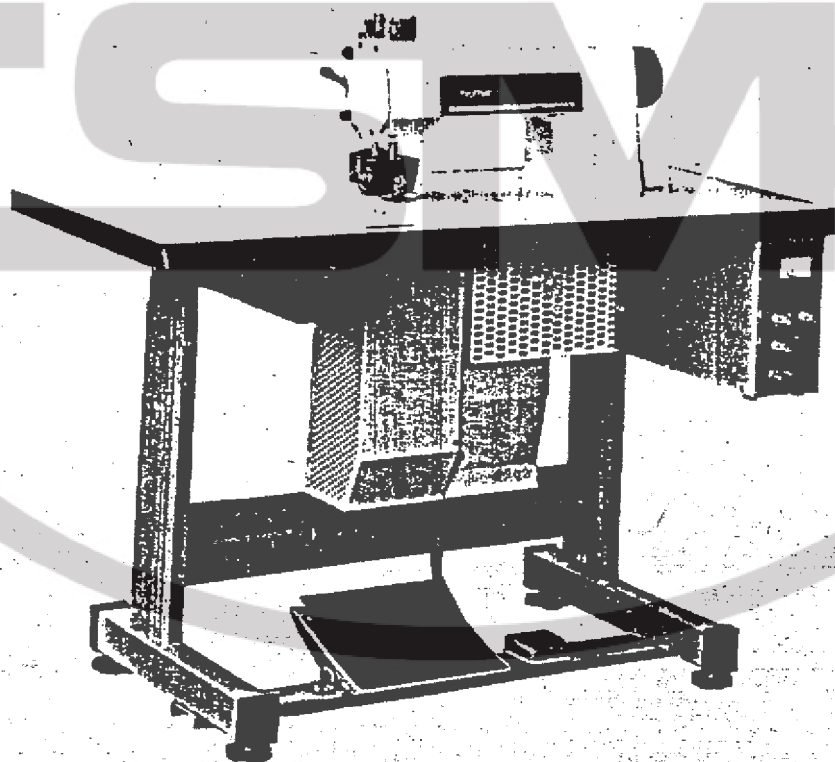


PARTS BOOK  
FOR  
ULTRASNIC SEALING MACHINE

MODLE: BU3-115W

BU3-115S



BROTHER INDUSTRIES, LTD

MACHINE TOOL DIV.

### G. Generator

No.	Parts Name	Q' ty	Cord	No.	Parts Name	Q' ty	Cord
G- 1	Screw	4	008400503	G-14	Snap Switch	1	398622100
2	Front Panel	1	322145000	15	Earth Terminal	1	321300019
3	Ampere Meter	1	399142100	16	Output Cable	1	322148000
4	Knob	1	398330100	17	Screw	2	002300603
5	"	1	"	18	Signal	1	322149000
6	Neon Bracket	1	398084100	19	Screw	4	002300803
7	Knob	1	398330100	20	ConnectorReceptacle	1	398799000
8	Fuse Holder	1	398720001	21	Screw	4	002300803
9	15A Fuse	1	398721001	22	Receptacle	1	398432100
10	Chassis	1	338736000	23	Cord Lock	1	399927000
11	Resistor 20K $\Omega$	1	398294100	24	CircuitProtector	1	399144100
12	" 2K $\Omega$	1	398637100				
13	" 20K $\Omega$	1	398294100				

### H. Transformer

No.	Parts Name	Q' ty	Cord	No.	Parts Name	Q' ty	Cord
H- 1	1.5KVA Trans Unit	1					

### I. Accessory

No.	Parts Name	Q' ty	Cord	No.	Parts Name	Q' ty	Cord
I- 1	Hexagon Wrench	1	602776001				
2	Rubber Leg	1	133632001				
3	Earth Wire	1	301162000				
4	Fuse	2	398651100				
5	"	2	398340100				
6							

# BROTHER ULTRASONIC SEALING MACHINE

BU3-115W  
BU3-115S

## TABLE OF CONTENTS

### DRAWING

A. MACHINE BODY (1)	1
B. MACHINE BODY (2)	2
C. DRIVING	3
D. TRANSDUCER	4
E. CONTROL	5
F. LEG AND TREADBOARD	6
G. GENERATOR	7
H. TRANSFORMER	8
I. ACCESSORY	8

### PARTS LIST

A. MACHINE BODY (1)	9
B. MACHINE BODY (2)	9
C. DRIVING	10
D. TRANSDUCER	10 . 11
E. CONTROL	11
F. LEG AND TREADBOARD	11
G. GENERATOR	12
H. TRANSFORMER	12
I. ACCESSORY	12

### D. Transducer

No.	Parts Name	Q'ty	Cord	No.	Parts Name	Q'ty	Cord
D-13	Transducer	1	338379000	D-25	Socket Cap Screw	2	018061022
14	Washer	3	025040333	26	Washer	2	028060243
15	Transducer Holder	1	322179000	27	Screw	2	002401605
16	Carbon Brush	3	394598100	28	Washer	4	028040243
17	Brush Holder	3	394596100	29	Fan	1	394471100
18	Fitting Plate	1	322173000	30	Fan Fitting Plate	1	322174000
19	Slip Ring	1	394146100	31	Nut	4	021040103
20	O Ring	2	394147100				
21	Bearing 6016zz	1	072601680				
22	" 6017zz	1	072601780				
23	Motor Fan	1	396145100				
24	Screw	2	002401605				

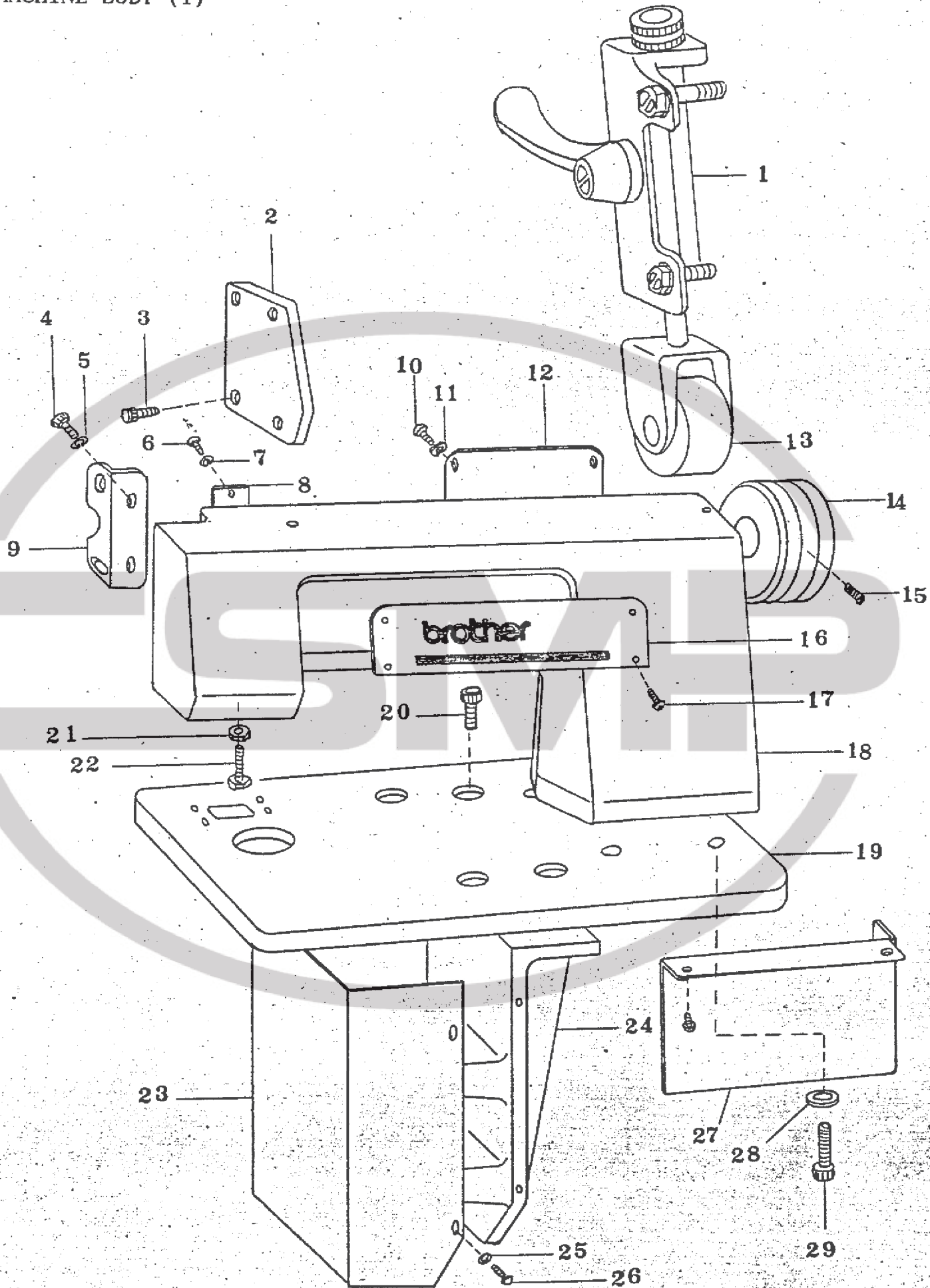
### E. Control

No.	Parts Name	Q'ty	Cord	No.	Parts Name	Q'ty	Cord
E-1	Printed Board	1	322147000	E-7	Screw	4	002400805
2	Controller	1	399148100	8	Washer	4	028040243
3	Relay	1	398593100	9	Cover	1	322176000
4	Controller	1	399148100	10	Relay	1	398390100
5	Screw	6	002401605				
6	Washer	6	028040243				

### F. Leg and Treadboard

No.	Parts Name	Q'ty	Cord	No.	Parts Name	Q'ty	Cord
F-1	Table 115	1	322255000	F-16	Hook	1	140953000
2	Pedal Fixed Shaft	1	338731000	17	Spring	1	146178001
3				18	Treadboard Ass'ly	1	146175001
4	Lever Shaft	1	133641001	19	Support Plate	1	119704001
5	Nut	2	021060206	20	Foot Switch	1	606370001
6	Box Support	2	101121002	21	Adjusting Hook	1	140947001
7	Screw	4	032361306	22	Nut	2	212251000
8	Table Box	1	119702001	23	Washer	1	028040243
9	Screw	1	001061606	24	U2 Cord Ass'ly	1	146160001
10	Washer	1	025066200	25	Screw	2	002405005
11				26	Washer	2	028040243
12	Fitting Arm	1	133635001	27	Switch	2	140948001
13	Outer Leg	1	133625001	28	Washer	2	028040243
14	Bolt	2	017061206	29	Switch Cover	2	396047000
15	Washer	2	025060243	30	Nut	2	021046103

A.MACHINE BODY (1)



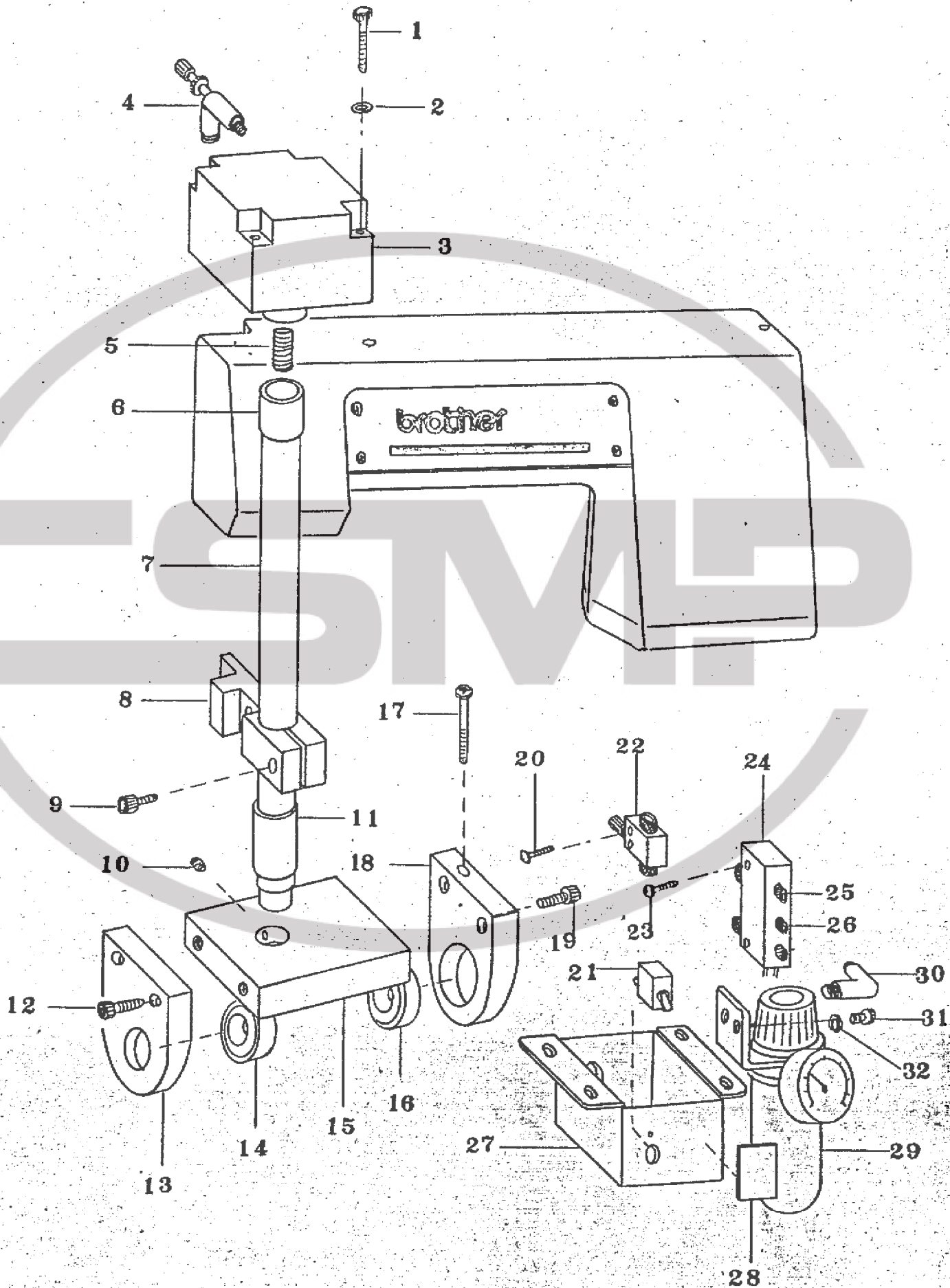
C. Driving

No.	Parts Name	Q' ty	Cord	No.	Parts Name	Q' ty	Cord-
C-1	Socket Cap Screw	2	018041222	C-28	Holder	1	322029000
2	Washer	2	028040243	29	Timing Belt #10	1	395172100
3	Bearing SM08DU3	1	394741100	30	Coupling Ring	1	338716001
4	Timing Belt 85	1	338842000	31	" Shaft	1	322235001
5	Universal Joint	1	392104100	32	Screw	4	012500822
6	Screw	2	012060622	33	"	2	012060622
7	"	2	"	34	Timing Belt 55	1	395061100
8	Pulley Block L115	1	322239001	35	Holder	1	322030001
9	" M115	1	322238001	36	Socket Cap Screw	2	018501222
10	Pulley	1	322010001	37	Bearing SM08DU3	1	394741100
11	Screw	2	012060622	38	Screw	2	012060622
12	Washer	2	028040243	39	Motor Fixture	1	322160000
13	Socket Cap Screw	2	018041222	40	Rope	1	338594000
14	Upper Shaft BushL	1	322037000	41	Motor 60GFV	1	396142100
15	Upper Shaft 115	1	322236000	42	Gear Head	1	396141100
16	Puller	1	322010001	43	Motor Pulley	1	322162000
17	Stop Ling	1	338734001	44	Socket Cap screw	2	018144022
18	Upper Shaft BushR	1	146331001	45	Washer	2	028140243
19	Spring Pin	1	047301247	46	Screw	1	015505212
20	Pulley 115w	1	322258000	47	Drivin Pulley	1	322185000
	" 115s	1	338696000	48	Motor Fixture	1	322164000
21	Socket Cap Screw	4	018501222	49	Motor 90GV	1	396142100
22	Screw	4	012060622	50	Washer	4	028060243
23	Rubber Roller 50	2	322572000	51	Socket Cap Screw	4	018061022
24	Bearing SM08DU3	2	394741100				
25	Holder	1	322029000				
26	Gear	2	338717000				
27	Bearing SM08DU3	1	394741100				

D. Transducer

No.	Parts Name	Q' ty	Cord	No.	Parts Name	Q' ty	Cord-
D-1	Horn	1	322172000	D-7	Flange	1	338456001
2	Set Screw	1	391576008	8	O Ring	1	081060790
3	Socket Cap Screw	3	018062022	9	Wire Ring	1	338460000
4	"	3	018063022	10	Flange	1	338455001
5	"	3	018063522	11	Horn	1	338457001
6	Washer	3	028060243	12			

B.MACHINE BODY (2)



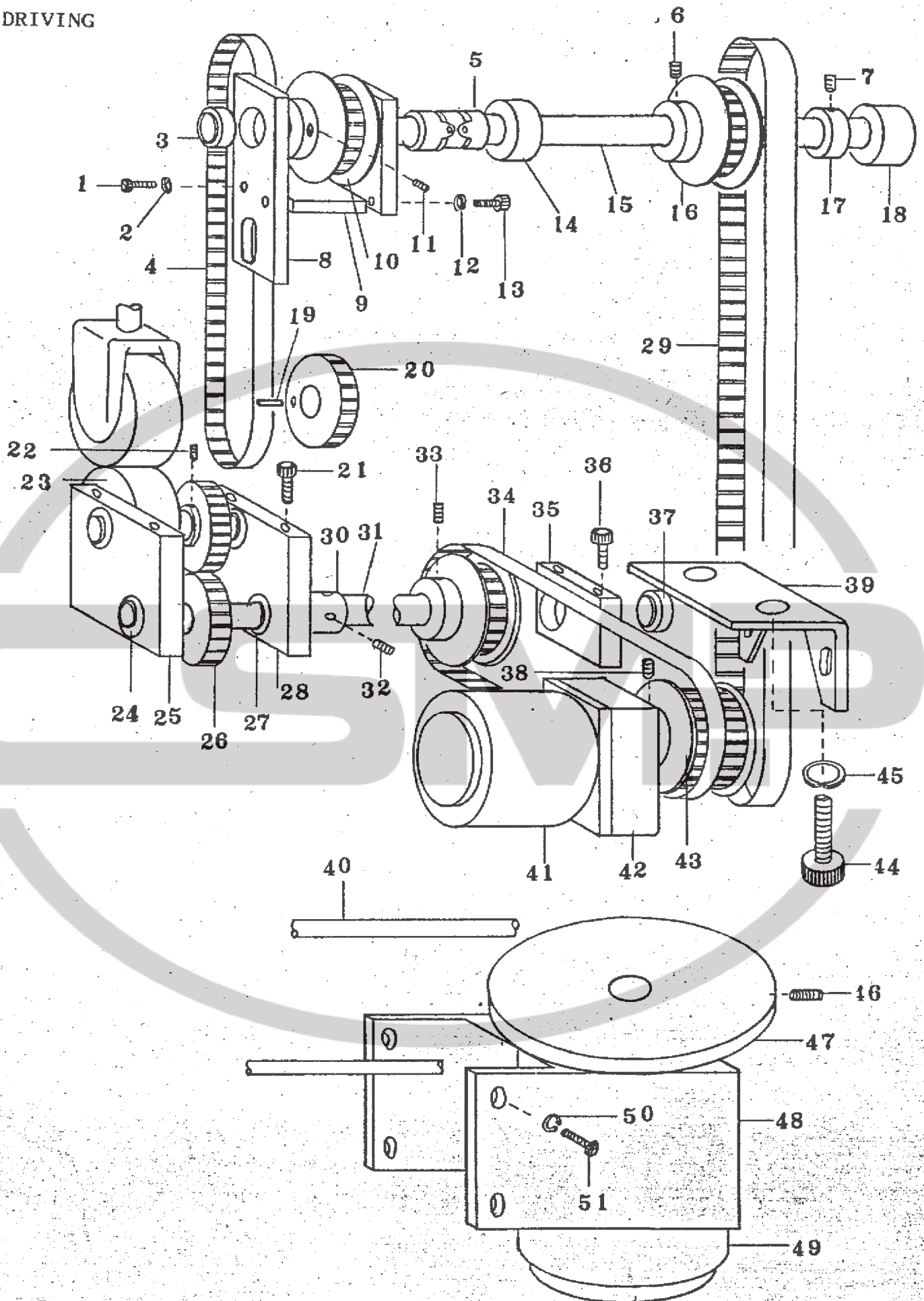
A. Machine Body (1)

No.	Parts Name	Q'ty	Cord	No.	Parts Name	Q'ty	Cord
A-1	Puller	1	322229010	A-16	Arm Panel 115	1	322230001
2	Face Plate	1	322227000	17			
3	Socket Cap Screw	4	018051222	18	Arm 115	1	322224001
4	Socket Cap Screw	2	018061222	19	Bed 115s	1	322228001
5	Washer	2	028060243	20	Socket Cap Screw	4	018082022
6	Screw	2	002400805	21	Nut		
7	Washer	2	028040243	22		1	
8	Back Caver #1	1	322232001	23	Transducer Cover	1	322175000
9	Puller Holder	1	322138001	24	Fixture	1	338529000
10	Screw	4	002400805	25	Washer	4	028040243
11	Washer	4	028040243	26	Screw	4	002400805
12	Back Cover#1	1	322231001	27	Cover	1	338730000
13				28	Washer	2	025040333
14	Puller	1	115244001	29	Screw 3.5	2	032361306
15	Screw	2	013761410	30			

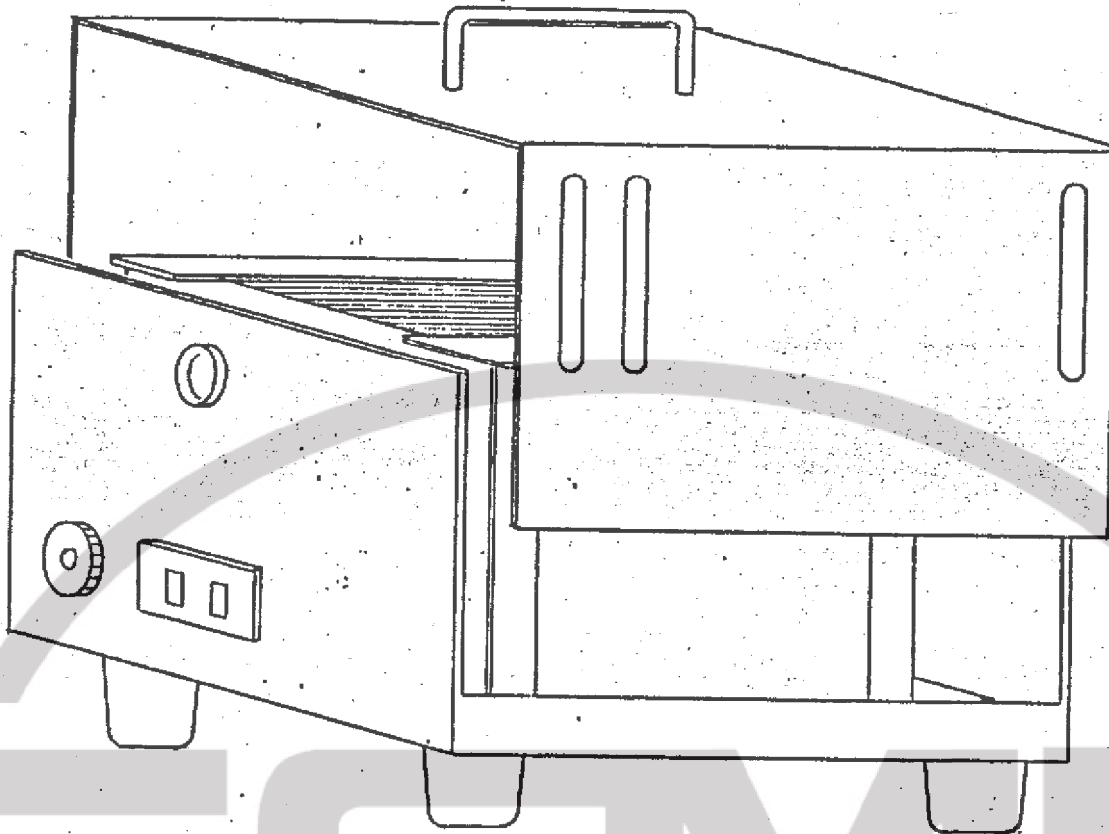
B. Machine Body (2)

No.	Parts Name	Q'ty	Cord	No.	Parts Name	Q'ty	Cord
B-1	Socket Cap Screw	4		B-17	Screw	1	002403005
2	Washer	4		18	RollerPlate115W	1	322250001
3	Air Cylinder	1	395663100		115s	1	322254001
4	AirFlowContrler2	1	396479100	19	Socket Cap Screw	2	018501222
5	Screw			20	Screws	2	002303005
6	Metal Bush 1222	1	396462100	21	Switch	1	
7	Slide Shaft 115#1	1	322242000	22	AirFlowContrler1	1	395670100
8	Bracket	1	322241000	23	Screw	2	002303005
9	Socket Cap Screw	1	018061022	24	Solenoid balve	1	392143100
10	Screw	1		25			
11	Metal Bush 1212	1	396463100	26	Air Fitting	3	392144100
12	Socket Cap Screw	2	018501222	27	Switch Cover	1	322161001
13	RollerPlate 115w	1	322249001	28	Laber	1	322262100
	" 115s	1	322253001	29	Air Clean Uniit	1	395602100
14	Bearing 1201	1	396465100	30	Air Fitting		392277100
	" 108	1	394463100	31	Socket Cap Screw	2	018501222
15	Block 115w	1	322248001	32	Washer	2	028050243
	" 115s	1	322252001	33			
16	Bearing 1201 115w	1	396465100				
	" 108 115s	1	394463100				

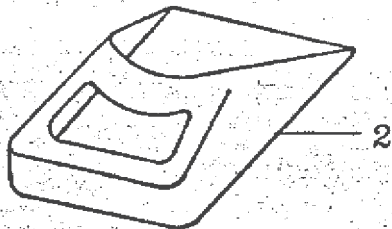
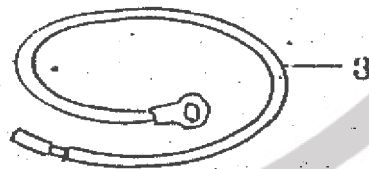
C. DRIVING



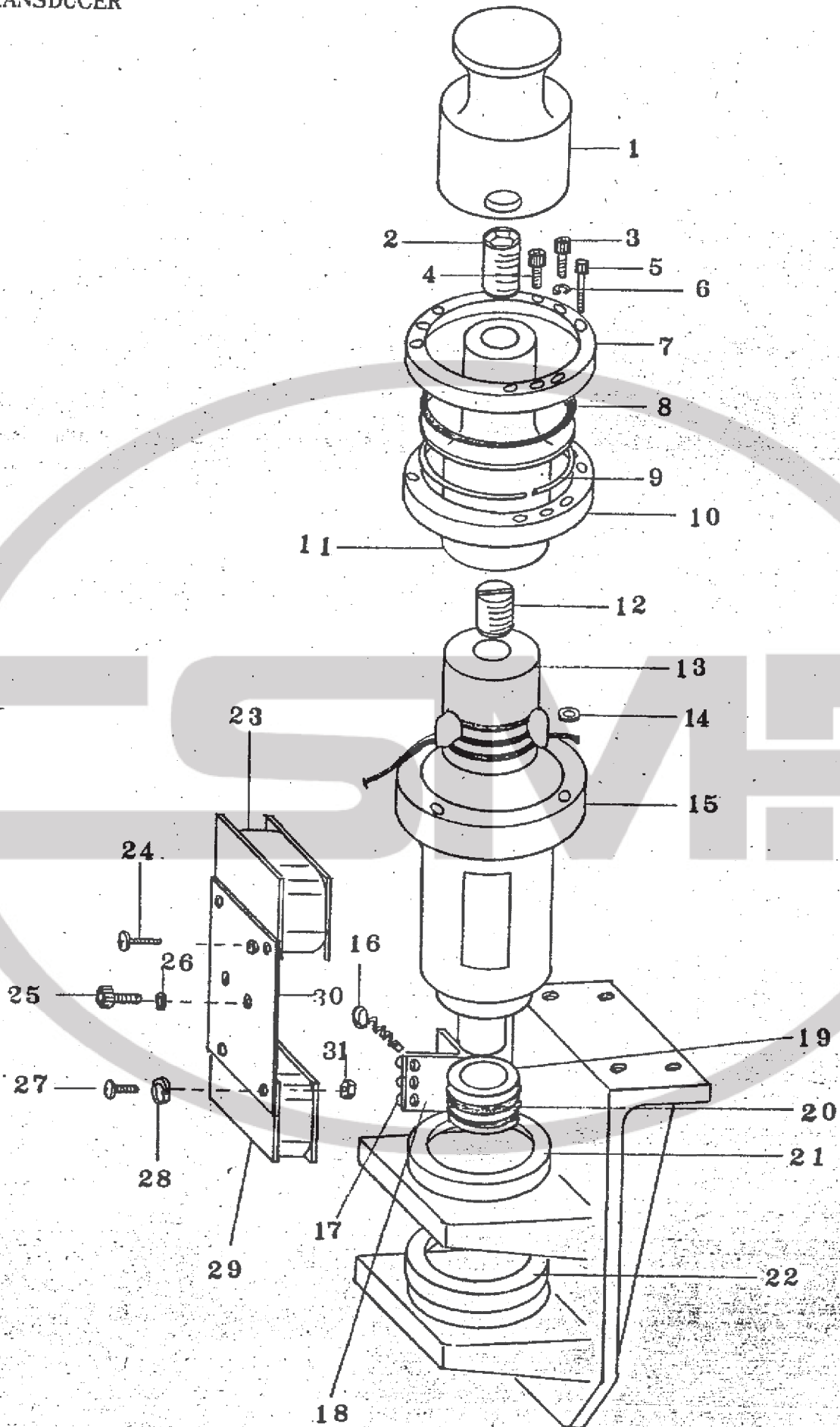
H. TRANSFORMER



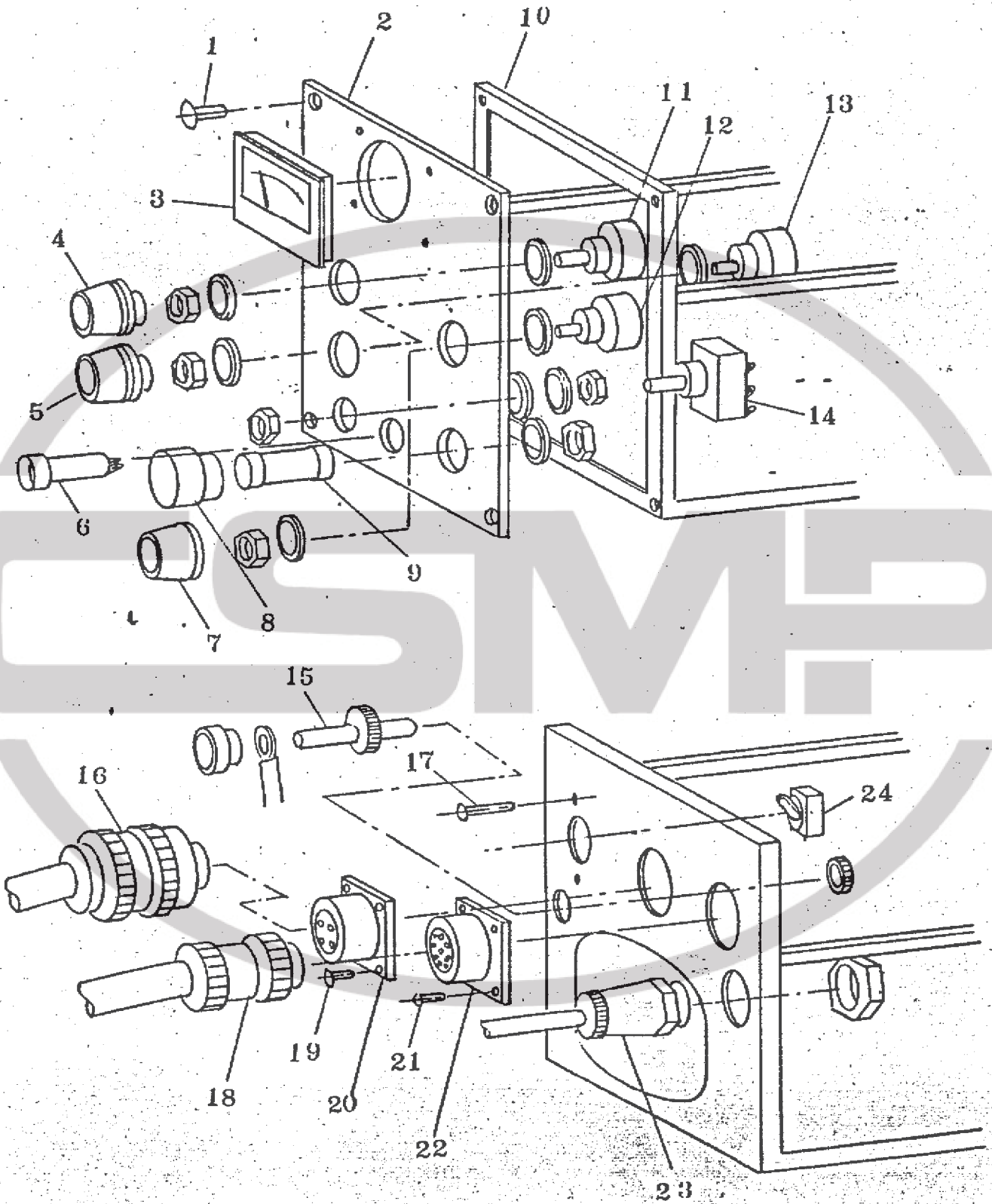
I. ACCESSORY

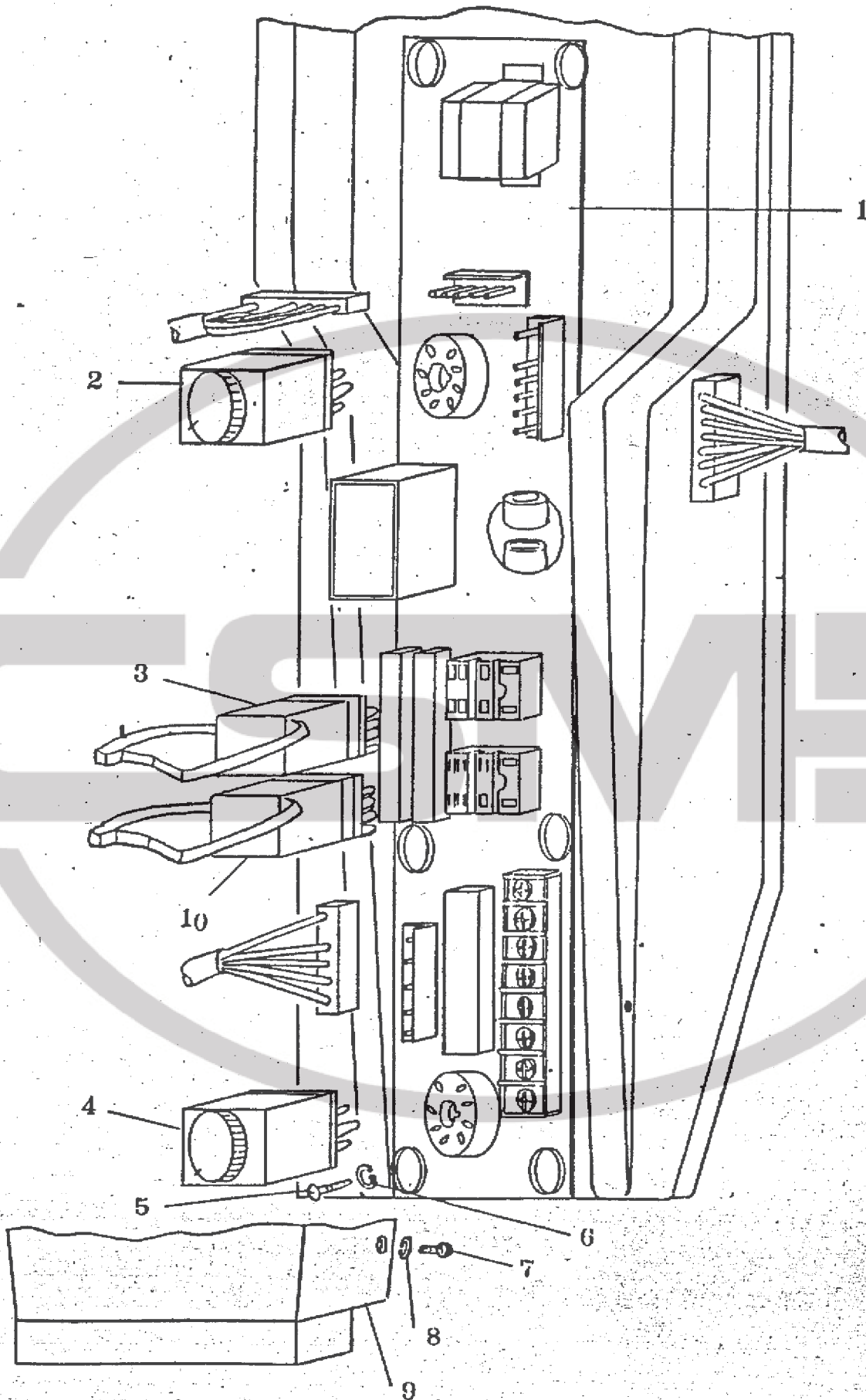


D. TRANSDUCER



G. GENERATOR.





F.LEG AND TREADBOARD

