

# BE-0901EAC, 1201BAC

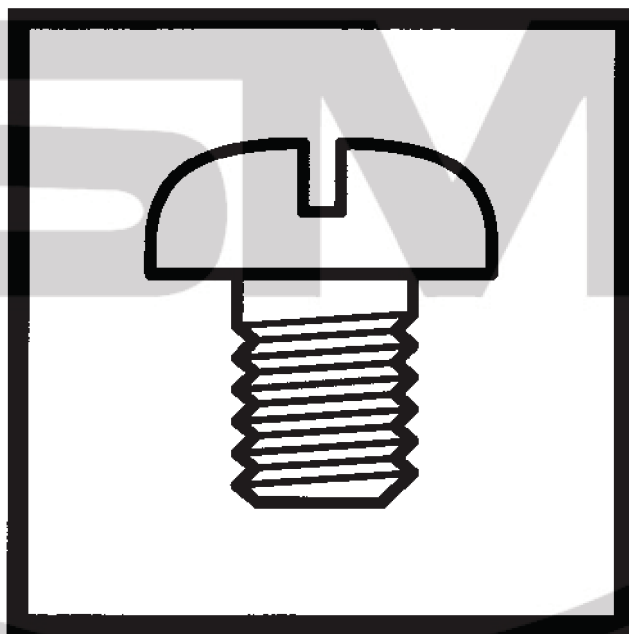
パーツブック  
PARTS BOOK

BROTHER  
EMBROIDERY  
SYSTEMS



9 針 1 頭刺繡機  
12 針 1 頭刺繡機

9 NEEDLE 1 HEAD EMBROIDERY MACHINE  
12 NEEDLE 1 HEAD EMBROIDERY MACHINE



**brother**<sup>®</sup>

最新の部品情報は Parts Navigation でご覧いただけます。 <http://partsbook.brother.co.jp/partsnavi/jpn/index.html>  
The latest parts information, refer to the Parts Navigation. [http://partsbook.brother.co.jp/partsnavi\\_em/eng/index.html](http://partsbook.brother.co.jp/partsnavi_em/eng/index.html)

## パーツブックご利用に際して

1. この本は、2004年12月のデータに基づいて作成されたものです。
2. 部品は予告なしに設計変更される場合があります。
3. 組単位で補給する部品は、 破線で示してあります。

## 目 次

A. 主体関係	1	Q1. 糸調子関係 (BE-0901E-AC)	59
B. 上軸関係	3	Q2. 糸調子関係 (BE-1201B-AC)	61
C. 針棒駆動関係	5	R. 針位置検出器関係	63
D1. 針棒関係 (BE-0901E-AC)	7	S. 頭部部品関係	63
D2. 針棒関係 (BE-1201B-AC)	11	T1. コントロールボックス関係 (100V,120V用)	65
E1. 針棒切換操作関係 (BE-0901E-AC)	15	T2. コントロールボックス関係 (220V-240V用)	69
E2. 針棒切換操作関係 (BE-1201B-AC)	17	U1. 電装品関係	73
F1. 押え関係 (刺しゅう枠)	19	U2. 電装品関係	75
F2. 押え関係 (筒物枠; オプション部品)	23	U3. 電装品関係 (オプション, 補給用)	77
F3. 押え関係 (ネーム枠セット; オプション部品)	29	V. モータ関係	79
F4. 押え関係 (刺しゅう枠セット; オプション部品)	33	W. 付属装置関係 (オプション部品)	79
F5. 押え関係 (原反枠セット; オプション部品)	33	X. 動力台関係	81
F6. 押え関係		Y1. 帽子枠装置 (オプション部品; 180X70mm)	85
(クランプ枠セット; オプション部品)	35	Y2. 帽子枠装置 (オプション部品; 360X85mm)	89
F7. 押え関係 (オプション部品)	37	Y3. 帽子枠装置 (オプション部品; 160X75mm)	93
G. 押え上げ関係	39	AA. 糸巻装置 (オプション部品)	97
H. 駆動側送り関係	41	AB1. ボーリングセット	
J. 送り案内関係	43	(BE-0901E-AC; オプション部品)	99
K. 下軸関係	45	AB2. ボーリングセット	
L. 給油潤滑関係	47	(BE-1201B-AC; オプション部品)	99
M. 糸切り関係	49	Z. 付属品関係	101
N1. 糸払い関係 (BE-0901E-AC)	53	Ga. ゲージ部品一覧表	105
N2. 糸払い関係 (BE-1201B-AC)	55	Op. 刺しゅう枠 (オプション部品)	106
P1. 上糸通し関係 (BE-0901E-AC)	57	Wa. 警告ラベル	107
P2. 上糸通し関係 (BE-1201B-AC)	57	索引	108

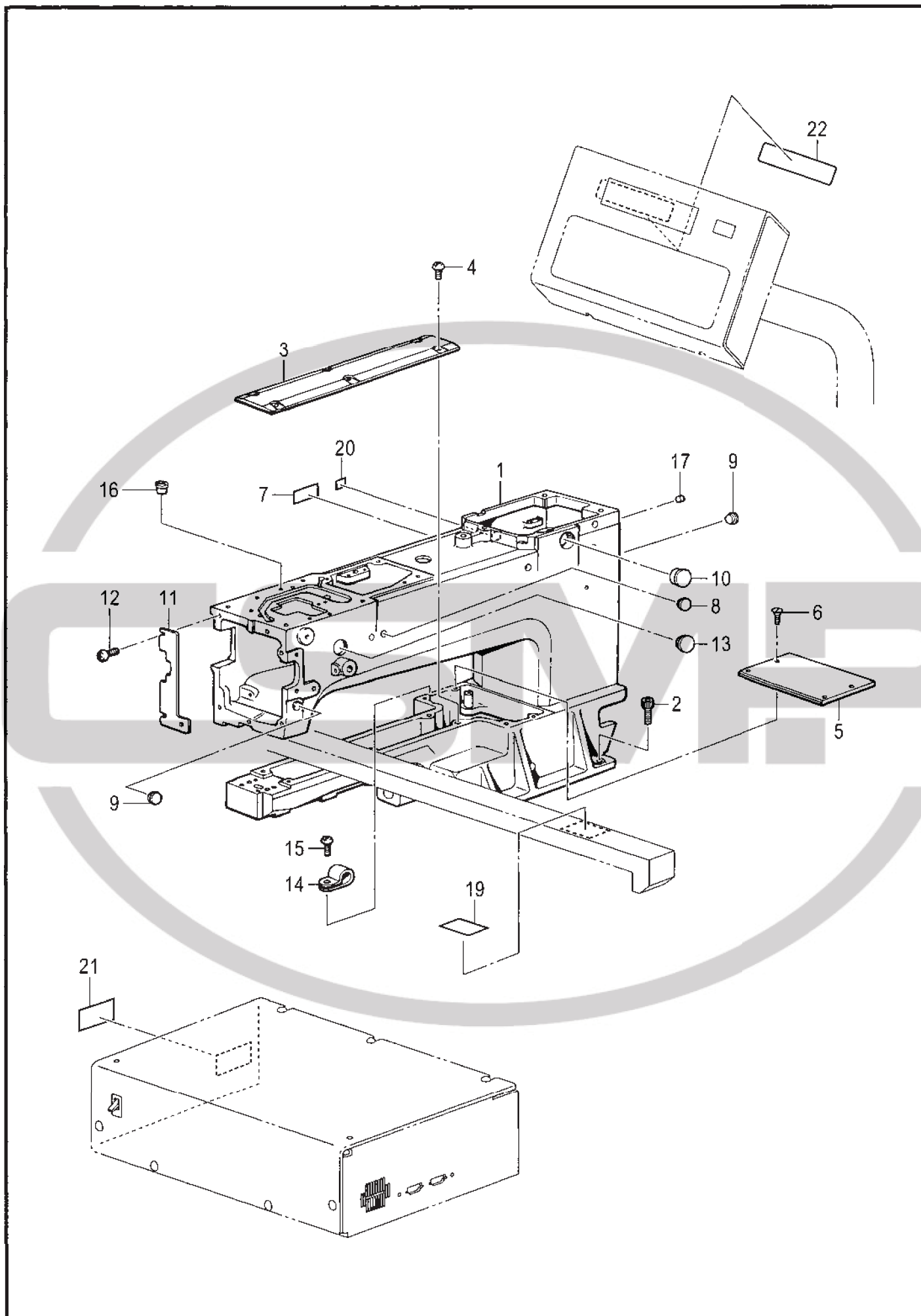
## Notes for using this parts book

- 1 This book was prepared based on information available in December 2004.
- 2 Parts are subject to changes in design without prior notice.
- 3 Parts supplied as complete assemblies are circled by a dotted line.

## CONTENTS

<table border="0" style="width: 100%; border-collapse: collapse;"> <tr><td style="border-bottom: 1px solid black;">A. Machine body</td><td style="text-align: right; border-bottom: 1px solid black;">1</td></tr> <tr><td style="border-bottom: 1px solid black;">B. Upper shaft mechanism</td><td style="text-align: right; border-bottom: 1px solid black;">3</td></tr> <tr><td style="border-bottom: 1px solid black;">C. Needle bar and driving clutch mechanism</td><td style="text-align: right; border-bottom: 1px solid black;">5</td></tr> <tr><td style="border-bottom: 1px solid black;">D1. Needle bar mechanism (BE-0901E-AC)</td><td style="text-align: right; border-bottom: 1px solid black;">7</td></tr> <tr><td style="border-bottom: 1px solid black;">D2. Needle bar mechanism (BE-1201B-AC)</td><td style="text-align: right; border-bottom: 1px solid black;">11</td></tr> <tr><td style="border-bottom: 1px solid black;">E1. Needle bar flip-up mechanism (BE-0901E-AC)</td><td style="text-align: right; border-bottom: 1px solid black;">15</td></tr> <tr><td style="border-bottom: 1px solid black;">E2. Needle bar flip-up mechanism (BE-1201B-AC)</td><td style="text-align: right; border-bottom: 1px solid black;">17</td></tr> <tr><td style="border-bottom: 1px solid black;">F1. Presser foot mechanism (Embroidery frame)</td><td style="text-align: right; border-bottom: 1px solid black;">19</td></tr> <tr><td style="border-bottom: 1px solid black;">F2. Presser foot mechanism (Tubular frame;Option parts)</td><td style="text-align: right; border-bottom: 1px solid black;">23</td></tr> <tr><td style="border-bottom: 1px solid black;">F3. Presser foot mechanism (Name frame set;Option parts)</td><td style="text-align: right; border-bottom: 1px solid black;">29</td></tr> <tr><td style="border-bottom: 1px solid black;">F4. Presser foot mechanism (Embroidery frame set;Option parts)</td><td style="text-align: right; border-bottom: 1px solid black;">33</td></tr> <tr><td style="border-bottom: 1px solid black;">F5. Presser foot mechanism (Border frame set;Option parts)</td><td style="text-align: right; border-bottom: 1px solid black;">33</td></tr> <tr><td style="border-bottom: 1px solid black;">F6. Presser foot mechanism (Clamping frame set;Option parts)</td><td style="text-align: right; border-bottom: 1px solid black;">35</td></tr> <tr><td style="border-bottom: 1px solid black;">F7. Presser foot mechanism (Option parts)</td><td style="text-align: right; border-bottom: 1px solid black;">37</td></tr> <tr><td style="border-bottom: 1px solid black;">G. Presser foot lifter mechanism</td><td style="text-align: right; border-bottom: 1px solid black;">39</td></tr> <tr><td style="border-bottom: 1px solid black;">H. Drive, feed mechanism</td><td style="text-align: right; border-bottom: 1px solid black;">41</td></tr> <tr><td style="border-bottom: 1px solid black;">J. Feed guide mechanism</td><td style="text-align: right; border-bottom: 1px solid black;">43</td></tr> <tr><td style="border-bottom: 1px solid black;">K. Lower shaft mechanism</td><td style="text-align: right; border-bottom: 1px solid black;">45</td></tr> <tr><td style="border-bottom: 1px solid black;">L. Lubrication</td><td style="text-align: right; border-bottom: 1px solid black;">47</td></tr> <tr><td style="border-bottom: 1px solid black;">M. Thread trimmer mechanism</td><td style="text-align: right; border-bottom: 1px solid black;">49</td></tr> <tr><td style="border-bottom: 1px solid black;">N1. Thread wiper mechanism (BE-0901E-AC)</td><td style="text-align: right; border-bottom: 1px solid black;">53</td></tr> <tr><td style="border-bottom: 1px solid black;">N2. Thread wiper mechanism (BE-1201B-AC)</td><td style="text-align: right; border-bottom: 1px solid black;">55</td></tr> <tr><td style="border-bottom: 1px solid black;">P1. Upper threading mechanism (BE-0901E-AC)</td><td style="text-align: right; border-bottom: 1px solid black;">57</td></tr> </table>	A. Machine body	1	B. Upper shaft mechanism	3	C. Needle bar and driving clutch mechanism	5	D1. Needle bar mechanism (BE-0901E-AC)	7	D2. Needle bar mechanism (BE-1201B-AC)	11	E1. Needle bar flip-up mechanism (BE-0901E-AC)	15	E2. Needle bar flip-up mechanism (BE-1201B-AC)	17	F1. Presser foot mechanism (Embroidery frame)	19	F2. Presser foot mechanism (Tubular frame;Option parts)	23	F3. Presser foot mechanism (Name frame set;Option parts)	29	F4. Presser foot mechanism (Embroidery frame set;Option parts)	33	F5. Presser foot mechanism (Border frame set;Option parts)	33	F6. Presser foot mechanism (Clamping frame set;Option parts)	35	F7. Presser foot mechanism (Option parts)	37	G. Presser foot lifter mechanism	39	H. Drive, feed mechanism	41	J. Feed guide mechanism	43	K. Lower shaft mechanism	45	L. Lubrication	47	M. Thread trimmer mechanism	49	N1. Thread wiper mechanism (BE-0901E-AC)	53	N2. Thread wiper mechanism (BE-1201B-AC)	55	P1. Upper threading mechanism (BE-0901E-AC)	57	<table border="0" style="width: 100%; border-collapse: collapse;"> <tr><td style="border-bottom: 1px solid black;">P2. Upper threading mechanism (BE-1201B-AC)</td><td style="text-align: right; border-bottom: 1px solid black;">57</td></tr> <tr><td style="border-bottom: 1px solid black;">Q1. Thread tension (BE-0901E-AC)</td><td style="text-align: right; border-bottom: 1px solid black;">59</td></tr> <tr><td style="border-bottom: 1px solid black;">Q2. Thread tension (BE-1201B-AC)</td><td style="text-align: right; border-bottom: 1px solid black;">61</td></tr> <tr><td style="border-bottom: 1px solid black;">R. Synchronizer</td><td style="text-align: right; border-bottom: 1px solid black;">63</td></tr> <tr><td style="border-bottom: 1px solid black;">S. Machine head parts</td><td style="text-align: right; border-bottom: 1px solid black;">63</td></tr> <tr><td style="border-bottom: 1px solid black;">T1. Control box mechanism (For 100V, 120V)</td><td style="text-align: right; border-bottom: 1px solid black;">65</td></tr> <tr><td style="border-bottom: 1px solid black;">T2. Control box mechanism (For 220-240V)</td><td style="text-align: right; border-bottom: 1px solid black;">69</td></tr> <tr><td style="border-bottom: 1px solid black;">U1. Power supply equipment mechanism</td><td style="text-align: right; border-bottom: 1px solid black;">73</td></tr> <tr><td style="border-bottom: 1px solid black;">U2. Power supply equipment mechanism</td><td style="text-align: right; border-bottom: 1px solid black;">75</td></tr> <tr><td style="border-bottom: 1px solid black;">U3. Power supply equipment mechanism (Option &amp; Supply parts)</td><td style="text-align: right; border-bottom: 1px solid black;">77</td></tr> <tr><td style="border-bottom: 1px solid black;">V. Motor mechanism</td><td style="text-align: right; border-bottom: 1px solid black;">79</td></tr> <tr><td style="border-bottom: 1px solid black;">W. Attachment set (Option parts)</td><td style="text-align: right; border-bottom: 1px solid black;">79</td></tr> <tr><td style="border-bottom: 1px solid black;">X. Power table</td><td style="text-align: right; border-bottom: 1px solid black;">81</td></tr> <tr><td style="border-bottom: 1px solid black;">Y1. Cap frame device (Option parts; 180X70mm)</td><td style="text-align: right; border-bottom: 1px solid black;">85</td></tr> <tr><td style="border-bottom: 1px solid black;">Y2. Cap frame device (Option parts; 360X85mm)</td><td style="text-align: right; border-bottom: 1px solid black;">89</td></tr> <tr><td style="border-bottom: 1px solid black;">Y3. Cap frame device (Option parts; 160X75mm)</td><td style="text-align: right; border-bottom: 1px solid black;">93</td></tr> <tr><td style="border-bottom: 1px solid black;">AA. Bobbin winder mechanism (Option parts)</td><td style="text-align: right; border-bottom: 1px solid black;">97</td></tr> <tr><td style="border-bottom: 1px solid black;">AB1. Boring device set (BE-0901E-AC ; Option Parts)</td><td style="text-align: right; border-bottom: 1px solid black;">99</td></tr> <tr><td style="border-bottom: 1px solid black;">AB2. Boring device set (BE-1201B-AC ; Option Parts)</td><td style="text-align: right; border-bottom: 1px solid black;">99</td></tr> <tr><td style="border-bottom: 1px solid black;">Z. Accessories</td><td style="text-align: right; border-bottom: 1px solid black;">101</td></tr> <tr><td style="border-bottom: 1px solid black;">Ga. Gauge parts list</td><td style="text-align: right; border-bottom: 1px solid black;">105</td></tr> <tr><td style="border-bottom: 1px solid black;">Op. Embroidery frame (Option parts)</td><td style="text-align: right; border-bottom: 1px solid black;">106</td></tr> <tr><td style="border-bottom: 1px solid black;">Wa. Warning labels</td><td style="text-align: right; border-bottom: 1px solid black;">107</td></tr> <tr><td style="border-bottom: 1px solid black;">Index</td><td style="text-align: right; border-bottom: 1px solid black;">108</td></tr> </table>	P2. Upper threading mechanism (BE-1201B-AC)	57	Q1. Thread tension (BE-0901E-AC)	59	Q2. Thread tension (BE-1201B-AC)	61	R. Synchronizer	63	S. Machine head parts	63	T1. Control box mechanism (For 100V, 120V)	65	T2. Control box mechanism (For 220-240V)	69	U1. Power supply equipment mechanism	73	U2. Power supply equipment mechanism	75	U3. Power supply equipment mechanism (Option & Supply parts)	77	V. Motor mechanism	79	W. Attachment set (Option parts)	79	X. Power table	81	Y1. Cap frame device (Option parts; 180X70mm)	85	Y2. Cap frame device (Option parts; 360X85mm)	89	Y3. Cap frame device (Option parts; 160X75mm)	93	AA. Bobbin winder mechanism (Option parts)	97	AB1. Boring device set (BE-0901E-AC ; Option Parts)	99	AB2. Boring device set (BE-1201B-AC ; Option Parts)	99	Z. Accessories	101	Ga. Gauge parts list	105	Op. Embroidery frame (Option parts)	106	Wa. Warning labels	107	Index	108
A. Machine body	1																																																																																														
B. Upper shaft mechanism	3																																																																																														
C. Needle bar and driving clutch mechanism	5																																																																																														
D1. Needle bar mechanism (BE-0901E-AC)	7																																																																																														
D2. Needle bar mechanism (BE-1201B-AC)	11																																																																																														
E1. Needle bar flip-up mechanism (BE-0901E-AC)	15																																																																																														
E2. Needle bar flip-up mechanism (BE-1201B-AC)	17																																																																																														
F1. Presser foot mechanism (Embroidery frame)	19																																																																																														
F2. Presser foot mechanism (Tubular frame;Option parts)	23																																																																																														
F3. Presser foot mechanism (Name frame set;Option parts)	29																																																																																														
F4. Presser foot mechanism (Embroidery frame set;Option parts)	33																																																																																														
F5. Presser foot mechanism (Border frame set;Option parts)	33																																																																																														
F6. Presser foot mechanism (Clamping frame set;Option parts)	35																																																																																														
F7. Presser foot mechanism (Option parts)	37																																																																																														
G. Presser foot lifter mechanism	39																																																																																														
H. Drive, feed mechanism	41																																																																																														
J. Feed guide mechanism	43																																																																																														
K. Lower shaft mechanism	45																																																																																														
L. Lubrication	47																																																																																														
M. Thread trimmer mechanism	49																																																																																														
N1. Thread wiper mechanism (BE-0901E-AC)	53																																																																																														
N2. Thread wiper mechanism (BE-1201B-AC)	55																																																																																														
P1. Upper threading mechanism (BE-0901E-AC)	57																																																																																														
P2. Upper threading mechanism (BE-1201B-AC)	57																																																																																														
Q1. Thread tension (BE-0901E-AC)	59																																																																																														
Q2. Thread tension (BE-1201B-AC)	61																																																																																														
R. Synchronizer	63																																																																																														
S. Machine head parts	63																																																																																														
T1. Control box mechanism (For 100V, 120V)	65																																																																																														
T2. Control box mechanism (For 220-240V)	69																																																																																														
U1. Power supply equipment mechanism	73																																																																																														
U2. Power supply equipment mechanism	75																																																																																														
U3. Power supply equipment mechanism (Option & Supply parts)	77																																																																																														
V. Motor mechanism	79																																																																																														
W. Attachment set (Option parts)	79																																																																																														
X. Power table	81																																																																																														
Y1. Cap frame device (Option parts; 180X70mm)	85																																																																																														
Y2. Cap frame device (Option parts; 360X85mm)	89																																																																																														
Y3. Cap frame device (Option parts; 160X75mm)	93																																																																																														
AA. Bobbin winder mechanism (Option parts)	97																																																																																														
AB1. Boring device set (BE-0901E-AC ; Option Parts)	99																																																																																														
AB2. Boring device set (BE-1201B-AC ; Option Parts)	99																																																																																														
Z. Accessories	101																																																																																														
Ga. Gauge parts list	105																																																																																														
Op. Embroidery frame (Option parts)	106																																																																																														
Wa. Warning labels	107																																																																																														
Index	108																																																																																														

A. 主体関係 / Machine body

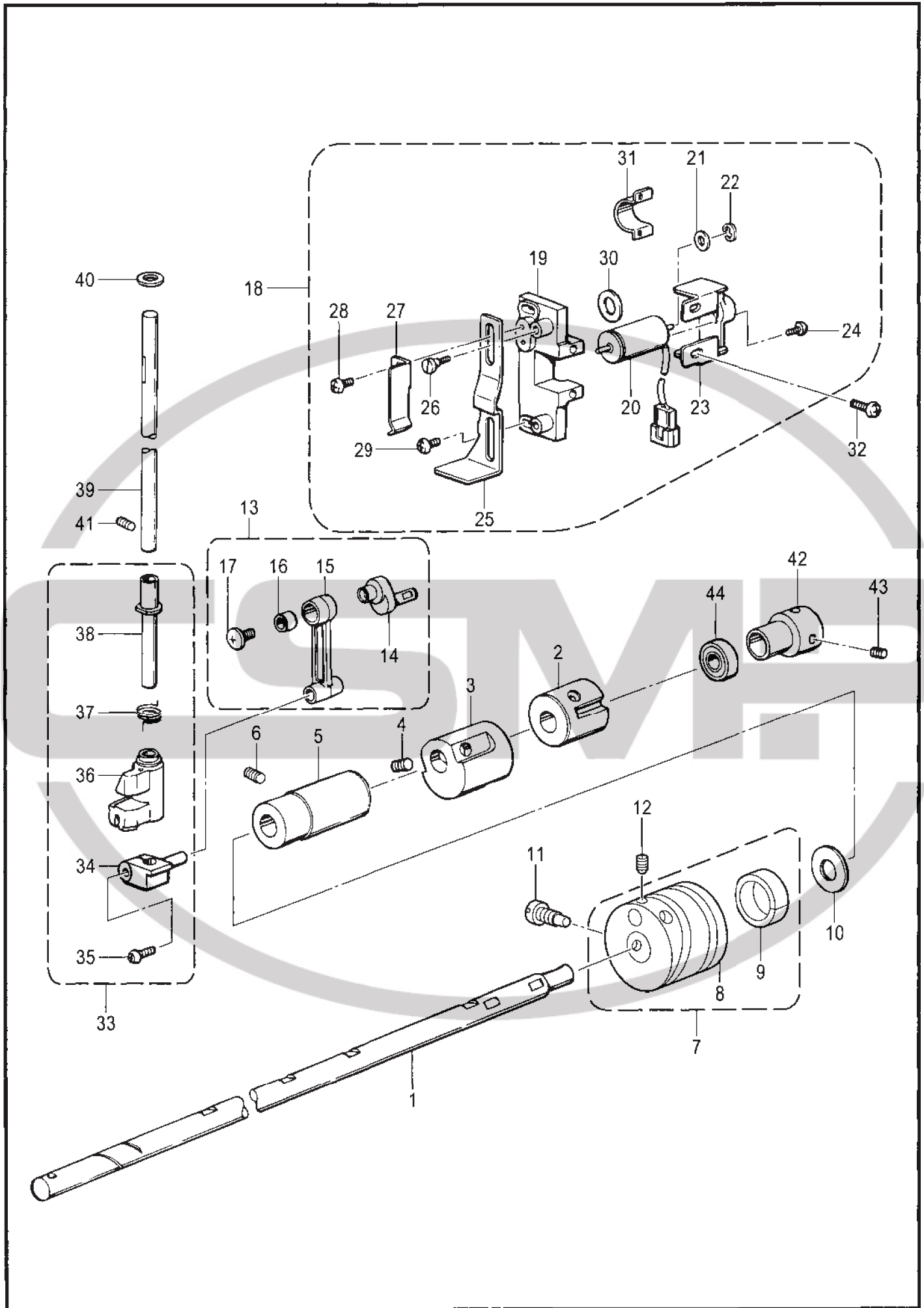


BE-0901E/1201B-050

## A. 主体関係 / Machine body

REF.NO	CODE	Q'TY	品名	NAME OF PARTS	RM
1	S32511409	1	アームベッドクミ	ARM BED ASSY	
2	018103032	4	アナボルト10X30	BOLT, SOCKET M10X30	
3	S32514001	1	ベッドカバー-S	BED COVER, S	
4	S23418001	6	シメネジ4X5	SCREW, M4X5	
5	S32515001	1	ベッドカバー-L	BED COVER, L	
6	061400816	4	サラコ4X8	SCREW, FLAT M4X8	
7	S50023000	1	オイルタンクキユウユシール	LABEL, LUBRICATION	
8	117936001	4	ゴムセン9.4	RUBBER CAP, 9.4	
9	117934001	2	ゴムセン13.5	RUBBER CAP, 13.5	
10	159150000	3	ゴムセン20.5	RUBBER CAP, 20.5	
11	S32655001	1	アームカバー-L	ARM COVER, L	
12	060501016	3	バインド5X10	SCREW, BIND M5X10	
13	159150000	1	ゴムセン20.5	RUBBER CAP, 20.5	
14	625010000	1	ナイロンクランプNK-2N	NYLON CLAMP NK-2N	
15	062400816	1	ナベコ4X8	SCREW, PAN M4X8	
16	140890009	2	オイルカツブ	OIL CAP	
17	S20878000	2	ゴムセン5.3	RUBBER CAP, 5.3	
			<日本用>	<For Japan>	
19	S38357001	1	ソウサチユウイラベルBASワ	LABEL, OPERATION (BAS) JPN.	
21	S10820000	1	デンアツラベル	VOLTAGE LABEL AC	
			<USA用>	<For USA>	
19	S38571001	1	ソウサチユウイラベルBASエ	LABEL, OPERATION (BAS) ENG.	
21	S10820009	1	デンアツラベル	VOLTAGE LABEL AC	
22	S52582001	1	スイギンケイコクラベルP2	MERCURY WARNING LABEL 14X70 P2	
			<ヨーロッパ用>	<For Europe>	
19	S36921001	1	ワーニングラベルEN	WARNING LABEL, EN	
19	S36922001	1	ワーニングラベルDE	WARNING LABEL, DE	
19	S36923001	1	ワーニングラベルFR	WARNING LABEL, FR	
20	S36925001	1	CEマーク	MARK, CE	
21	S10820004	1	デンアツラベル	VOLTAGE LABEL AC	

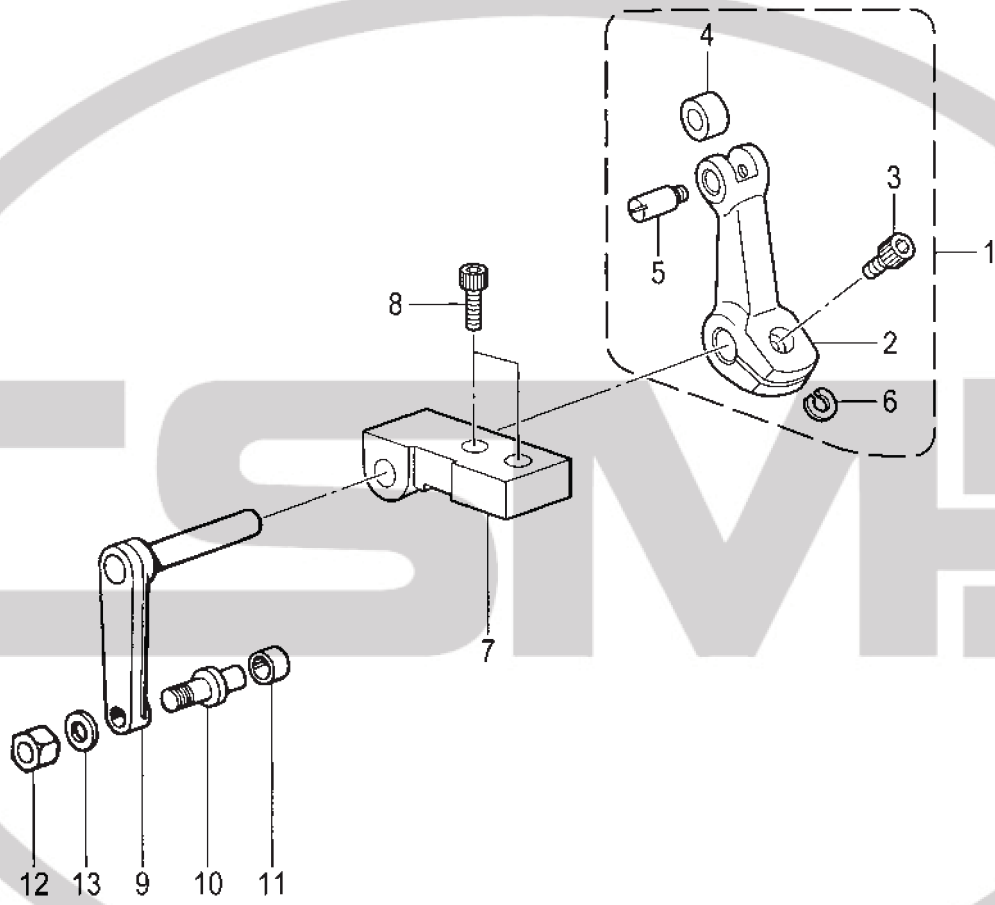
B. 上軸関係 / Upper shaft mechanism



## B. 上軸関係 / Upper shaft mechanism

REF.NO	CODE	QTY	品名	NAME OF PARTS	RM
1	S32517101	1	ウワジク	UPPER SHAFT	
2	140726000	1	ウワジクメタルM	UPPER SHAFT BUSH, M	
3	S32518001	1	バランサー	BALANCER	
4	012060636	2	アナヒラ6X6	SET SCREW, SOCKET (FT) M6X6	
5	S32519001	1	ウワジクメタルF	BUSH, F ;U-SHAFT	
6	012060636	1	アナヒラ6X6	SET SCREW, SOCKET (FT) M6X6	
7	S50020001	1	テンピンカムクミ	THREAD TAKE-UP CAM ASSY	
8	S50021001	1	テンピンカム	THREAD TAKE-UP CAM	
9	S50022000	1	フェルト	FELT	
10	S32521001	1	スラストザガネ	WASHER, THRUST	
11	S32522101	1	カムシメネジ	SCREW	
12	S23651001	3	アナヒラ6X6ホソメ	SET SCREW, SOCKET (FT) M6X6	
13	S32532001	1	クランクロッドクミ	CRANK ROD ASSY	
14	S32523001	1	90クランク	CRANK, 90°	
15	145466001	1	ハリボウクランクロッド	NEEDLE BAR CRANK ROD	
16	147777000	1	ニードルベアリング	NEEDLE BEARING	
17	145465001	1	シメネジ3.57L	SCREW, SM3.57-40X6 L	
18	S32507101	1	ジャンプソレノイドクミ	JUMP SOLENOID ASSY	
19	S32501001	1	Jソレノイドダイ	JUMP SOLENOID BASE	
20	S32502000	1	ジャンプソレノイド	JUMP SOLENOID	
21	081003870	1	OリングS3	O RING, S3	
22	048025346	1	トメワE2.5	RETAINING RING, E2.5	
23	S32503001	1	Jソレノイドウケ	JUMP SOLENOID BRACKET	
24	S35646001	2	ナベコ26X8	SCREW, PAN M2.6X8	
25	S32504001	1	カムイタ	CAM PLATE	
26	S25773001	2	ダンネジ4	SHOULDER SCREW, M4	
27	S32505001	1	カムイタバネ	SPRING, PLATE	
28	062400816	2	ナベコ4X8	SCREW, PAN M4X8	
29	062400816	2	ナベコ4X8	SCREW, PAN M4X8	
30	S34200000	1	ソレノイドクッション	SOLENOID CUSHION	
31	S37277000	1	Jソレノイドホウネツパン	J-SOLENOID HEATSINK	
32	062401016	2	ナベコ4X10	SCREW, PAN M4X10	
33	S32525201	1	ハリボウジョウゲセット	NEEDLE BAR VERTICAL SET	
34	S32526001	1	ジャンプタイダキ	JUMP CLAMP	
35	062351016	1	ナベコ35X10	SCREW, PAN M3.5X10	
36	S32527101	1	ジャンプタイ	JUMP BRACKET	
37	S32530201	1	ジャンプバネ	SPRING, JUMP	
38	S32531101	1	モトハリボウメタル	BUSH, ;B/N-BAR	
39	S32533001	1	モトハリボウ	BASE NEEDLE BAR	
40	S33673000	1	モトハリボウフェルト	FELT	
41	012060636	1	アナヒラ6X6	SET SCREW, SOCKET (FT) M6X6	
42	S32435001	1	ジクウケカラ	BEARING COLLAR	
43	S23651001	2	アナヒラ6X6ホソメ	SET SCREW, SOCKET (FT) M6X6	
44	076204659	1	Rタマジクウケ6204VV	BALL BEARING, RADIAL 6204VV	

C .針棒驅動關係 / Needle bar and driving clutch mechanism



## C. 針棒駆動関係 / Needle bar and driving clutch mechanism

REF.NO	CODE	Q'TY	品名	NAME OF PARTS	RM
1	S52042001	1	ジユウドウレバセット	LEVER SET	
2	S32574101	1	テンビンジユウドウレバ	LEVER	
3	018501036	1	アナボルト5X10	BOLT, SOCKET M5X10	
4	107550002	1	コロ	ROLLER	
5	S32575001	1	テンビンコロピン	THREAD TAKE-UP ROLLER PIN	
6	148782001	1	スペーサ	SPACER	
7	S32576001	1	テンビンジクウケ	THREAD TAKE-UP BEARING	
8	018501236	2	アナボルト5X12	BOLT, SOCKET M5X12	
9	S32577001	1	テンビンクドウレバクミ	TH. TAKE-UP DRIVING LEVER ASSY	
10	S32580001	1	コロジク	ROLLER SHAFT	
11	S32674101	1	コロ8	ROLLER, 8	
12	021500103	1	1シユナツ5	NUT, 1 M5	
13	113431002	1	ザガネ	WASHER, PLAIN	

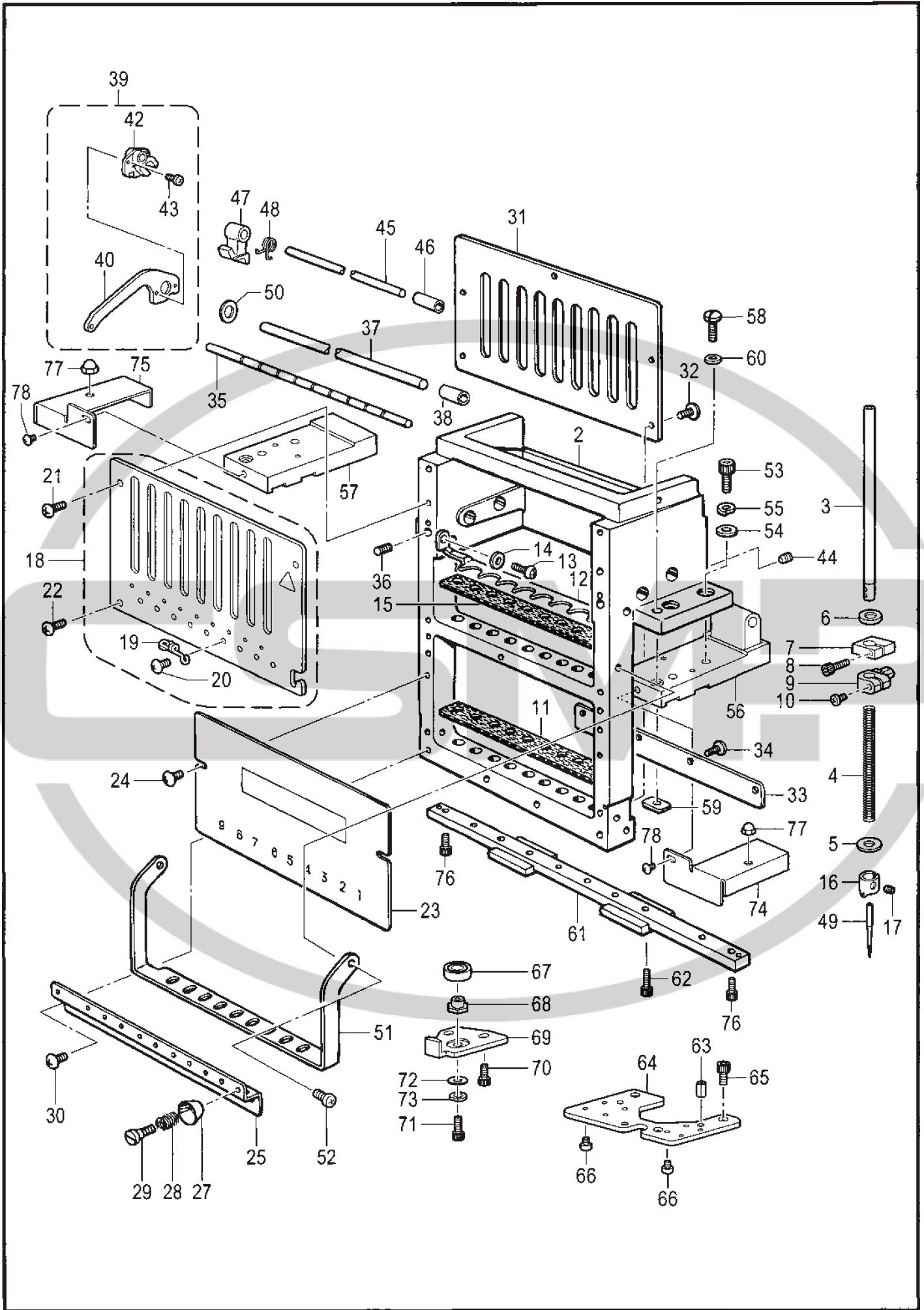
BE-0901E/1201B-117



## D1. 針棒関係 (BE-0901E-AC) / Needle bar mechanism (BE-0901E-AC)

REF.NO	CODE	QTY	品名	NAME OF PARTS	RM
2	S32581301	1	ハリボウケース	NEEDLE BAR CASE	
3	S32584101	9	ハリボウ	NEEDLE BAR	
4	S32585001	9	ハリボウホジヨウバネ	SPRING, COMPRESSION	
5	118735002	9	ザガネ	WASHER	
6	S36153100	9	クツシヨンゴム	RUBBER, CUSHION	
7	S32587001	9	ジヨウシテンストツパー	TOP DEAD CENTER STOPPER	
8	018301036	9	アナボルト3X10	BOLT SOCKET M3X10	
9	S32588101	9	ハリボウダキ	NEEDLE BAR CLAMP	
10	062350816	9	ナベコ35X8	SCREW PAN M3.5X8	
11	S33149000	1	フェルトパツキン	FELT PACKING	
12	S32654001	1	フェルトオサエ	FELT SUPPORT	
13	062400816	2	ナベコ4X8	SCREW PAN M4X8	
14	025040136	2	ヒラザガネシヨウ4	WASHER PLAIN S 4	
15	S33149000	1	フェルトパツキン	FELT PACKING	
16	S36505001	9	ハリボウイトアンナイ	NEEDLE BAR THREAD GUIDE	
17	S36264001	9	アナヒラ3.5X3.5	SET SCREW, SOCKET (FT)M3.5X3.5	
18	S39415301	1	ウエブカバークミ	UPPER COVER ASSY	
19	S40719101	9	ナカイトミチ	INNER THREAD GUIDE	
20	008300514	9	トラスコ3X5	SCREW TRUSS M3X5	
21	008400806	2	トラスコ4X8	SCREW TRUSS M4X8	
22	008400806	2	トラスコ4X8	SCREW TRUSS M4X8	
23	S32592009	1	カブカバー	LOWER COVER	
24	008400806	2	トラスコ4X8	SCREW TRUSS M4X8	
25	S32593001	1	シタイトミチ	THREAD GUIDE, LOWER	
27	S32378001	9	スズサラ	DISK	
28	S32379001	9	スズバネ	SPRING	
29	S34032001	9	イトホジヨウダンネジ	SHOULDER SCREW, M3	
30	008400806	2	トラスコ4X8	SCREW TRUSS M4X8	
31	S32595001	1	ハリボウガイドレール	GUIDE RAIL, NEEDLE BAR	
32	062400816	5	ナベコ4X8	SCREW PAN M4X8	
33	S32596001	1	ケースヨウレール	RAIL FOR CASE	
34	062401016	4	ナベコ4X10	SCREW PAN M4X10	
35	S32597001	1	バネウケ	SPRING BRACKET	
36	014400636	1	アナクボミ4X6	SET SCREW SOCKET (CP) M4X6	
37	S32600001	1	テンビンジク	SHAFT, T/TAKE-UP	
38	S32631001	1	テンビンジクブツシュ	BUSH, T/TAKE-UP SHAFT	
39	S32651001	9	テンビンレバークミ	THREAD TAKE-UP LEVER ASSY	
40	S32633000	9	テンビンレバー	THREAD TAKE-UP LEVER	
42	S32632000	9	テンビンボス	BOSS, T/TAKE-UP	
43	S46404001	18	ナベコM3X7	SCREW, PAN M3X7	
44	014400636	4	アナクボミ4X6	SET SCREW SOCKET (CP) M4X6	
45	S32634001	1	テンビンボジジク	HOLDING SHAFT, T/TAKE-UP	
46	S32635001	1	テンビンホジブツシュ	BUSH	
47	S32637000	9	テンビンホジ	HOLDER, T/TAKE-UP	
48	S32638001	9	キツクバネ	SPRING	
49	S15629011	9	ミシンハリDBXK5	NEEDLE, DBXK5	
50	S35632001	1	ヒラザガネ8	WASHER, PLAIN M8	
51	S36434001	1	イトミチA	THREAD GUIDE, A	
52	062400616	2	ナベコ4X6	SCREW PAN M4X6	
53	018061636	4	アナボルト6X16	BOLT SOCKET M6X16	
54	025060236	4	ヒラザガネチュウ6	WASHER PLAIN M 6	
55	028060243	4	バネザガネ2-6	WASHER, SPRING 2-6	
56	S32582101	1	ハリボウケースドダイR	NEEDLE BAR CASE BRACKET, R	
57	S32583101	1	ハリボウケースドダイL	NEEDLE BAR CASE BRACKET, L	
58	S32652001	2	イチギメピン	PIN, W/SCREW	
59	S32653001	2	イチギメナツト	NUT	
60	113431002	2	ザガネ	WASHER, PLAIN	
61	S32598001	1	リニアガイド	LINEAR GUIDE	
62	018301036	4	アナボルト3X10	BOLT SOCKET M3X10	
63	047501242	2	スプリングピンAW5	PIN SPRING ROLL AW5	
64	S32599001	1	RSRベース	RSR BASE	
65	018061236	3	アナボルト6X12	BOLT SOCKET M6X12	

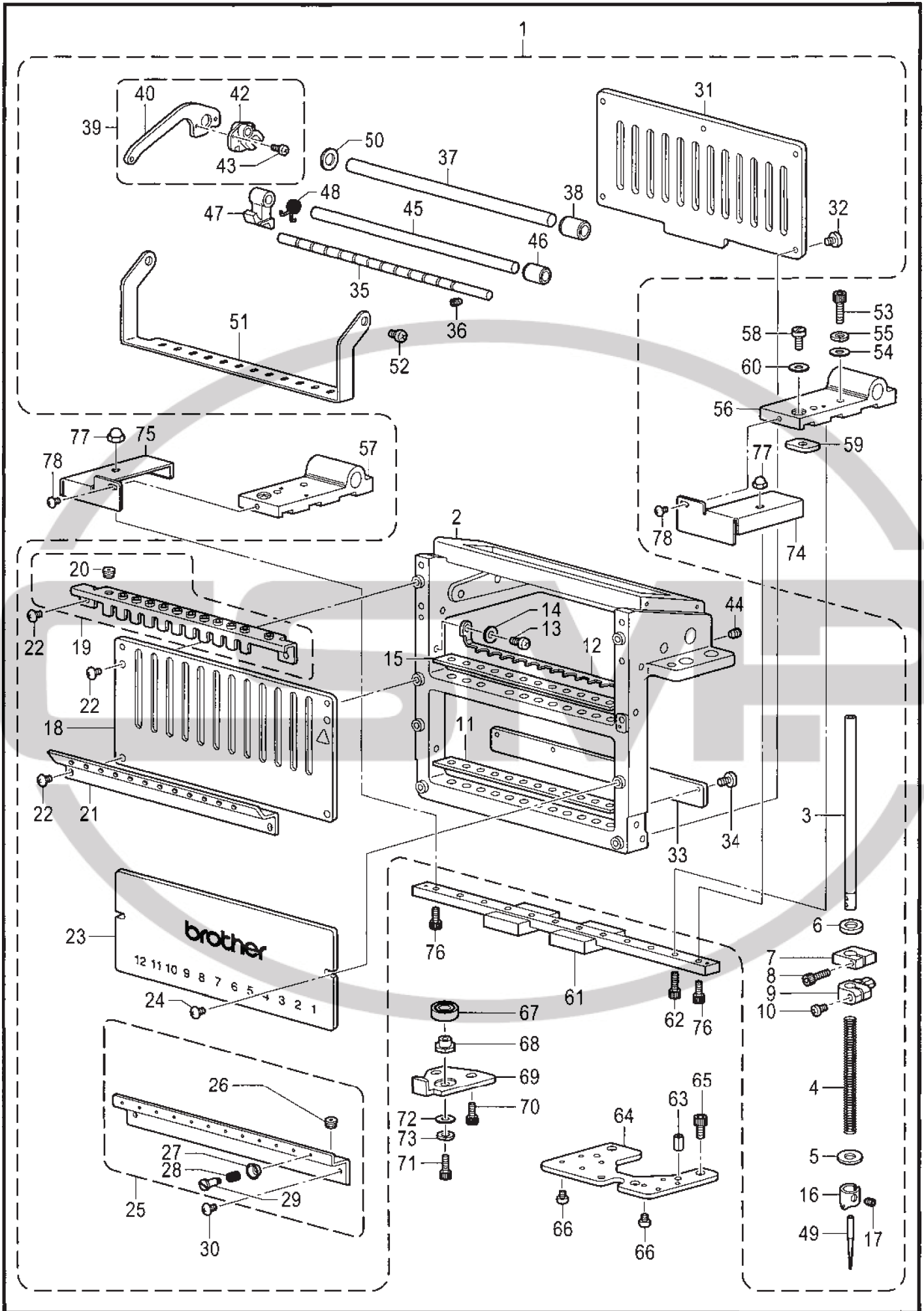
D1 . 針棒關係 (BE-0901E-AC) / Needle bar mechanism (BE-0901E-AC)



## D1. 針棒関係 (BE-0901E-AC) / Needle bar mechanism (BE-0901E-AC)

REF.NO	CODE	QTY	品名	NAME OF PARTS	RM
66	062300416	8	ナベコ3X4	SCREW PAN M3X4	
67	070699800	1	Rタマジクウケ699ZZ	BALL BEARING RADIAL 699ZZ	
68	S32639001	1	ジクウケヨウカラ	BEARING COLLAR	
69	S32640001	1	イチギメイタ	POSITIONING PLATE	
70	018501036	2	アナボルト5X10	BOLT SOCKET M5X10	
71	018501236	1	アナボルト5X12	BOLT SOCKET M5X12	
72	025050236	1	ヒラザガネチュウ5	WASHER PLAIN M 5	
73	028050246	1	バネザガネ2-5	WASHER SPRING 2-5	
74	S46961001	1	ブラケットカバー-R	BRACKET COVER, R	
75	S46962001	1	ブラケットカバー-L	BRACKET COVER, L	
76	018300636	2	アナボルト3X6	BOLT SOCKET M3X6	
77	S32257001	2	フクロナット3	NUT, CAP M3	
78	008300514	2	+トラスコ3X5	SCREW TRUSS M3X5	

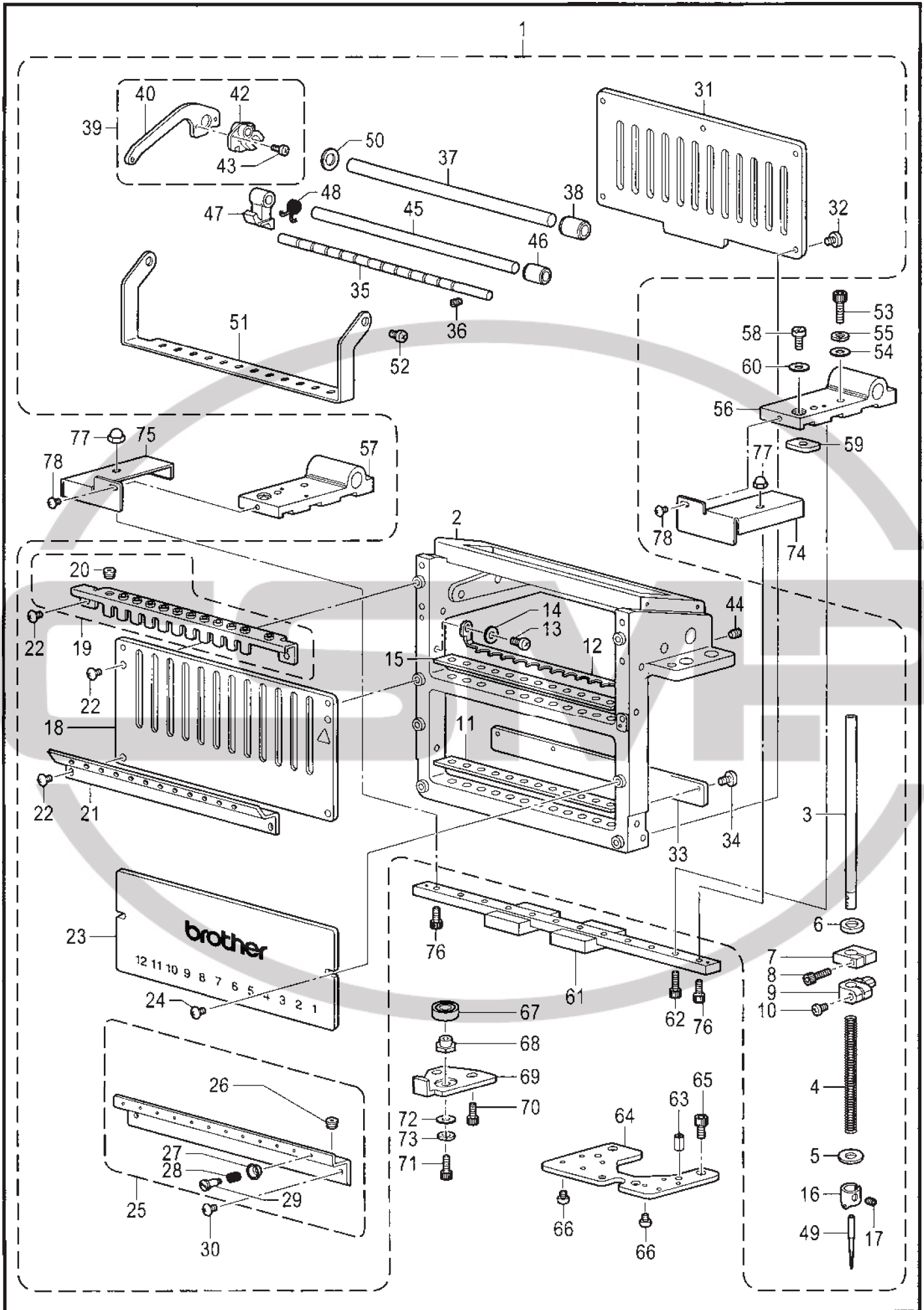
D2 . 針棒關係 (BE-1201B-AC) / Needle bar mechanism (BE-1201B-AC)



## D2. 針棒関係 (BE-1201B-AC) / Needle bar mechanism (BE-1201B-AC)

REF.NO	CODE	Q'TY	品名	NAME OF PARTS	RM
1	S46960501	1	ハリボウケース12Sクミ	NEEDLE BAR CASE ASSY, 12S	
2	S46959001	1	ハリボウケース12S	NEEDLE BAR CASE, 12S	
3	S32584101	12	ハリボウ	NEEDLE BAR	
4	S32585001	12	ハリボウホジヨウバネ	SPRING, COMPRESSION	
5	118735002	12	ザガネ	WASHER	
6	S36153100	12	クツシヨンゴム	RUBBER, CUSHION	
7	S32587001	12	ジヨウシテンストツパー	TOP DEAD CENTER STOPPER	
8	018301036	12	アナボルト3X10	BOLT SOCKET M3X10	
9	S32588101	12	ハリボウダキ	NEEDLE BAR CLAMP	
10	062350816	12	ナベコ35X8	SCREW PAN M3.5X8	
11	S45506000	1	フェルトパツキン12	FELT PACKING, 12	
12	S45507001	1	フェルトオサエ12	FELT SUPPORT, 12	
13	062400816	2	ナベコ4X8	SCREW PAN M4X8	
14	025040136	2	ヒラザガネシヨウ4	WASHER PLAIN S 4	
15	S45506000	1	フェルトパツキン12	FELT PACKING, 12	
16	S36505001	12	ハリボウイトアンナイ	NEEDLE BAR THREAD GUIDE	
17	S36264001	12	アナヒラ3.5X3.5	SET SCREW, SOCKET (FT)M3.5X3.5	
18	S45508109	1	ウエブカバ-12クミ	UPPER COVER ASSY, 12	
19	S45584301	1	イトミチウエ12クミ	UPPER THREAD GUIDE ASSY, 12	
20	146924100	12	スレツドブツシュ	THREAD BUSHING	
21	S48399001	1	ナカイトミチ12A	INNER THREAD GUIDE, 12A	
22	008400806	6	トラスコ4X8	SCREW TRUSS M4X8	
23	S45512009	1	カブカバ-12	LOWER COVER, 12	
24	008400806	2	トラスコ4X8	SCREW TRUSS M4X8	
25	S46294101	1	シタイトミチ12クミ	LOWER THREAD GUIDE ASSY, 12	
26	146924100	12	スレツドブツシュ	THREAD BUSHING	
27	S32378001	12	スズサラ	DISK	
28	S32379001	12	スズバネ	SPRING	
29	S34032001	12	イトホジヨウダンネジ	SHOULDER SCREW, M3	
30	008400806	2	トラスコ4X8	SCREW TRUSS M4X8	
31	S45515001	1	ハリボウガイドレール12	NEEDLE BAR GUIDE RAIL, 12	
32	062400816	5	ナベコ4X8	SCREW PAN M4X8	
33	S45516001	1	ケースヨウレール12	RAIL FOR CASE, 12	
34	062401016	4	ナベコ4X10	SCREW PAN M4X10	
35	S45517001	1	パネウケ12	SPRING BRACKET, 12	
36	014400636	1	アナクボミ4X6	SET SCREW SOCKET (CP) M4X6	
37	S45518001	1	テンビンジク12	THREAD TAKE-UP SHAFT, 12	
38	S32631001	1	テンビンレバ-	BUSH, T/TAKE-UP SHAFT	
40	S32633000	12	テンビンレバ-	THREAD TAKE-UP LEVER	
42	S32632000	12	テンビンボス	BOSS, T/TAKE-UP	
43	S46404001	24	ナベコM3X7	SCREW, PAN M3X7	
44	014400636	4	アナクボミ4X6	SET SCREW SOCKET (CP) M4X6	
45	S45519001	1	テンビンホジジク12	TH. TAKE-UP HOLDING SHAFT, 12	
46	S32635001	1	テンビンホジブツシュ	BUSH	
47	S32637000	12	テンビンホジ	HOLDER, T/TAKE-UP	
48	S32638001	12	キツクバネ	SPRING	
49	S15629011	12	ミシンハリDBXK5	NEEDLE, DBXK5	
50	S35632001	1	ヒラザガネ8	WASHER, PLAIN M8	
51	S45520001	1	イトミチA12	THREAD GUIDE, A :12	
52	062400616	2	ナベコ4X6	SCREW PAN M4X6	
53	018061636	4	アナボルト6X16	BOLT SOCKET M6X16	
54	025060236	4	ヒラザガネチュウ6	WASHER PLAIN M 6	
55	028060243	4	バネザガネ2-6	WASHER, SPRING 2-6	
56	S45532101	1	ハリボウケースドダイR	NEEDLE BAR CASE BRACKET, R	
57	S45522101	1	ハリボウケースドダイL	NEEDLE BAR CASE BRACKET, L	
58	S32652001	2	イチギメピン	PIN, W/SCREW	
59	S32653001	2	イチギメナツト	NUT	
60	113431002	2	ザガネ	WASHER, PLAIN	
61	S45523101	1	リニアガイド320	LINEAR GUIDE, 320	
62	018301036	4	アナボルト3X10	BOLT SOCKET M3X10	
63	047501242	2	スプリングピンAW5	PIN SPRING ROLL AW5	
64	S32599001	1	RSRベース	RSR BASE	

D2 . 針棒關係 (BE-1201B-AC) / Needle bar mechanism (BE-1201B-AC)

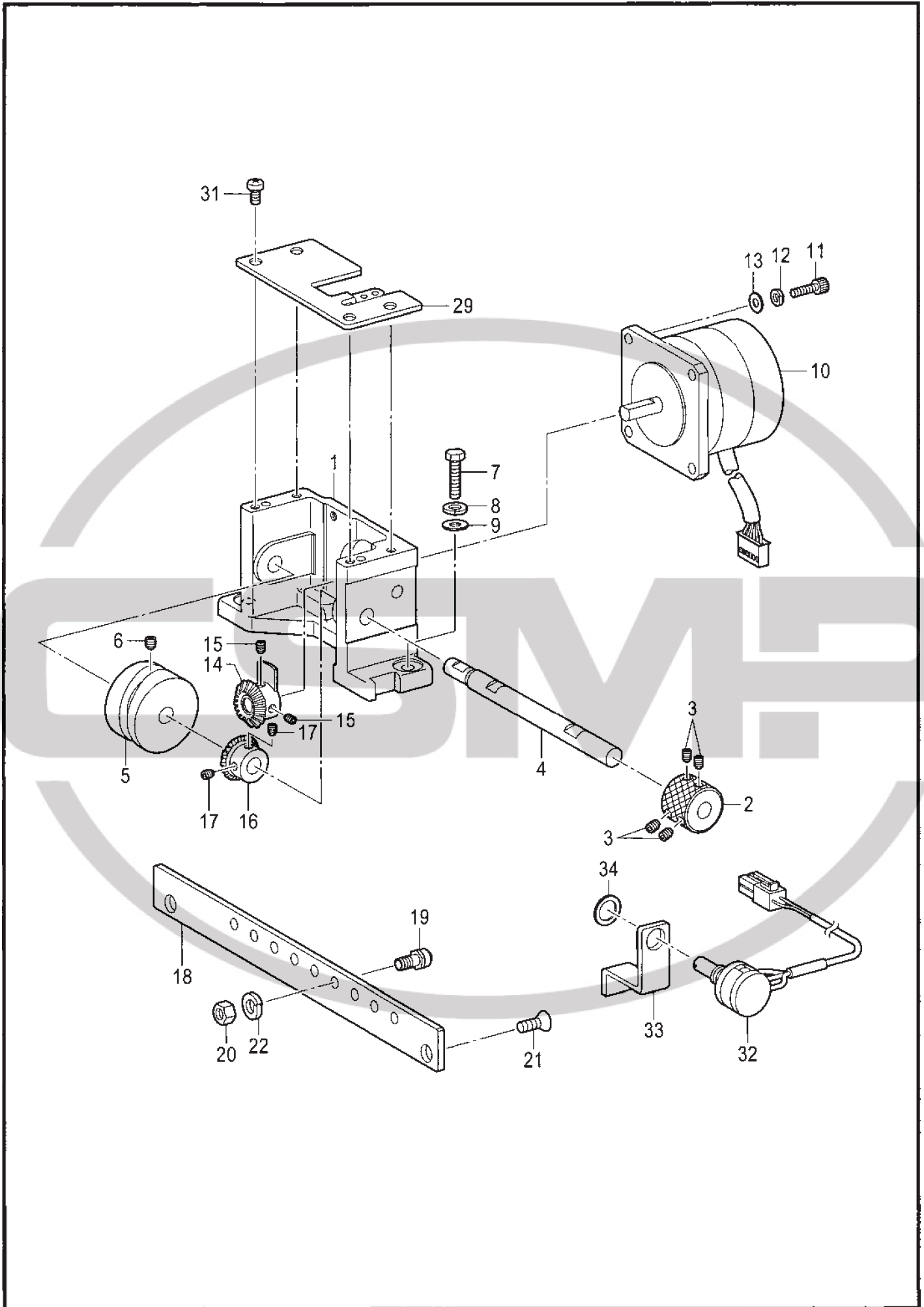


BE-1201B-AC-118

## D2. 針棒関係 (BE-1201B-AC) / Needle bar mechanism (BE-1201B-AC)

REF.NO	CODE	Q'TY	品名	NAME OF PARTS	RM
65	018061236	3	アナボルト6X12	BOLT SOCKET M6X12	
66	062300416	8	ナベコ3X4	SCREW PAN M3X4	
67	070699800	1	Rタマジクウケ699ZZ	BALL BEARING RADIAL 699ZZ	
68	S32639001	1	ジクウケヨウカラ	BEARING COLLAR	
69	S32640001	1	イチギメイタ	POSITIONING PLATE	
70	018501036	2	アナボルト5X10	BOLT SOCKET M5X10	
71	018501236	1	アナボルト5X12	BOLT SOCKET M5X12	
72	025050236	1	ヒラザガネチュウ5	WASHER PLAIN M 5	
73	028050246	1	バネザガネ2-5	WASHER SPRING 2-5	
74	S46961001	1	ブラケットカバー-R	BRACKET COVER, R	
75	S46962001	1	ブラケットカバー-L	BRACKET COVER, L	
76	018300636	2	アナボルト3X6	BOLT SOCKET M3X6	
77	S32257001	2	フクロナツト3	NUT, CAP M3	
78	008300514	2	トラスコ3X5	SCREW TRUSS M3X5	

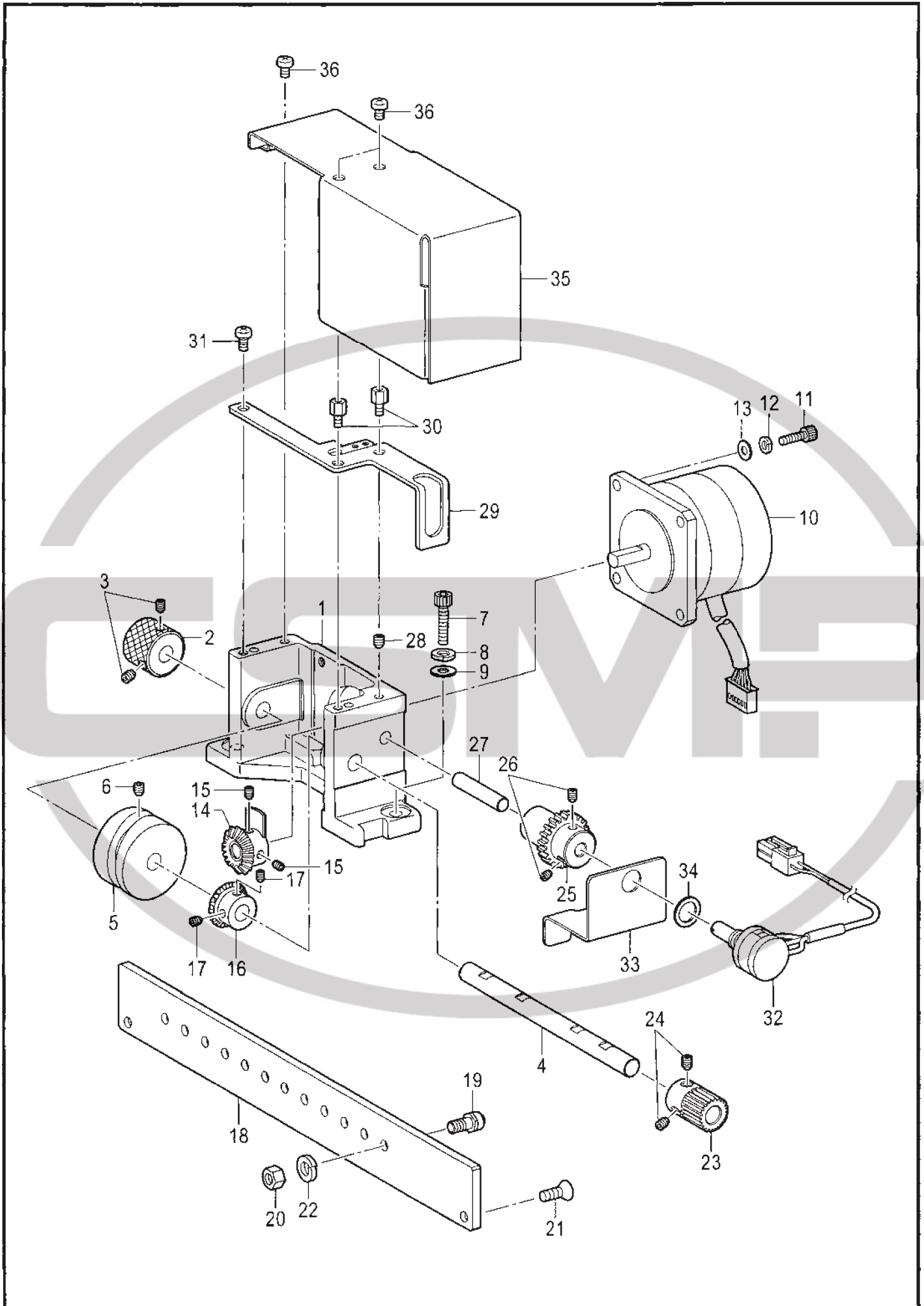
E1. 針棒切換操作關係 (BE-0901E-AC) / Needle bar flip-up mechanism (BE-0901E-AC)



## E1. 針棒切換操作関係 (BE-0901E-AC) / Needle bar flip-up mechanism (BE-0901E-AC)

REF.NO	CODE	Q'TY	品名	NAME OF PARTS	RM
1	S32643201	1	チェンジボックス	CHANGE BOX	
2	S32644101	1	チェンジカラ-	CHANGE BOX COLLAR	
3	014400636	4	アナクボミ4X6	SET SCREW SOCKET (CP) M4X6	
4	S32645101	1	カムシヤフト	CAM SHAFT	
5	S17390101	1	チェンジカム	CHANGE CAM	
6	S23651001	2	アナヒラ6X6ホソメ	SET SCREW, SOCKET (FT) M6X6	
7	018062036	2	アナボルト6X20	BOLT SOCKET M6X20	
8	028060243	2	バネザガネ2-6	WASHER, SPRING 2-6	
9	025060236	2	ヒラザガネチュウ6	WASHER PLAIN M 6	
10	Z25701001	1	BH200575042-B04	PULSE MOTOR, ;BH-200575042-B04	
11	018401236	4	アナボルト4X12	BOLT SOCKET M4X12	
12	028040246	4	バネザガネ2-4	WASHER SPRING 2-4	
13	026040236	4	ヒラザガネミガキ4	WASHER PLAIN M 4	
14	S17399152	1	キヤムギヤ-A	CAM GEAR, A	
15	014400636	2	アナクボミ4X6	SET SCREW SOCKET (CP) M4X6	
16	S17401051	1	キヤムギヤ-B	CAM GEAR, B	
17	014400636	2	アナクボミ4X6	SET SCREW SOCKET (CP) M4X6	
18	S32647001	1	チェンジコロベース	CHANGE ROLLER BASE	
19	S32648001	9	カムコロセット	CAM ROLLER SET	
20	021500103	9	1シユナツト5	NUT, 1 M5	
21	004401003	2	+サラコ4X10	SCREW, FLAT M4X10	
22	028050246	9	バネザガネ2-5	WASHER SPRING 2-5	
29	S40720001	1	キバントリツケベース	PCB SETTING BASE	
31	062400816	4	ナベコ4X8	SCREW PAN M4X8	
32	S40728100	1	ポテンシヨメータクミ3H	POTENTIOMETER ASSY, 3H	
33	S40721000	1	ポテンシヨンメータイタ	POTENTIOMETER PLATE	
34	025100236	1	ヒラザガネチュウ10	WASHER PLAIN M 10	

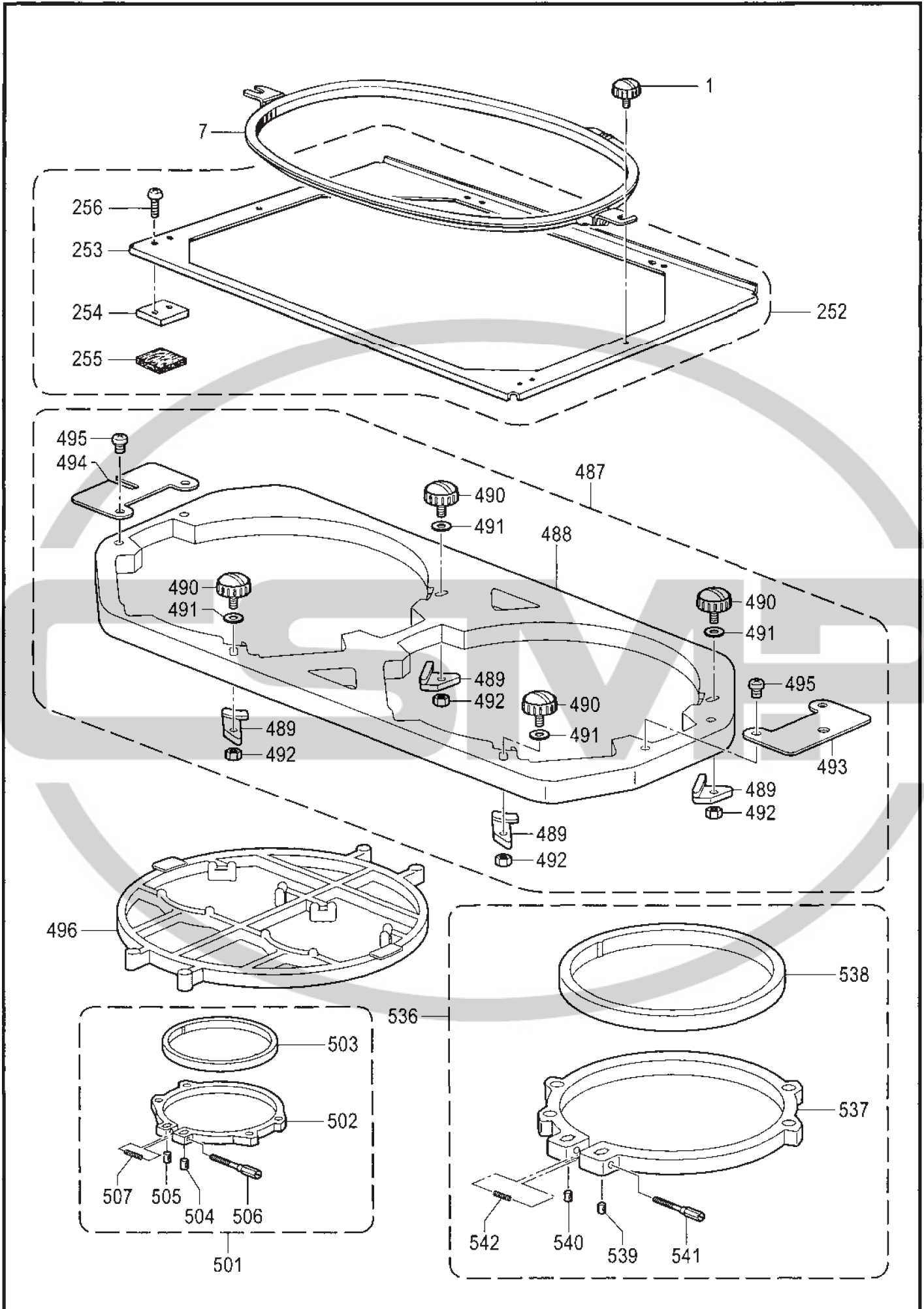
E2 . 針棒切換操作關係 (BE-1201B-AC) / Needle bar flip-up mechanism (BE-1201B-AC)



## E2. 針棒切換操作関係 (BE-1201B-AC) / Needle bar flip-up mechanism (BE-1201B-AC)

REF.NO	CODE	QTY	品名	NAME OF PARTS	RM
1	S32643201	1	チエンジボックス	CHANGE BOX	
2	S45528001	1	チエンジカラ	CHANGE COLLAR	
3	014400636	2	アナクボミ4X6	SET SCREW SOCKET (CP) M4X6	
4	S45587001	1	カムシヤフト	CAM SHAFT	
5	S17390101	1	チエンジカム	CHANGE CAM	
6	S23651001	2	アナヒラ6X6ホソメ	SET SCREW, SOCKET (FT) M6X6	
7	017062006	2	ボルト6X20	BOLT M6X20	
8	028060243	2	バネザガネ2-6	WASHER, SPRING 2-6	
9	025060236	2	ヒラザガネチュウ6	WASHER PLAIN M 6	
10	Z25701001	1	BH200575042-B04	PULSE MOTOR, ;BH-200575042-B04	
11	018401236	4	アナボルト4X12	BOLT SOCKET M4X12	
12	028040246	4	バネザガネ2-4	WASHER SPRING 2-4	
13	026040236	4	ヒラザガネミガキ4	WASHER PLAIN M 4	
14	S17399152	1	キヤムギヤ-A	CAM GEAR, A	
15	014400636	2	アナクボミ4X6	SET SCREW SOCKET (CP) M4X6	
16	S17401051	1	キヤムギヤ-B	CAM GEAR, B	
17	014400636	2	アナクボミ4X6	SET SCREW SOCKET (CP) M4X6	
18	S45527001	1	チエンジコロベス12	CHANGE ROLLER BASE, 12	
19	S32648001	12	カムコロセット	CAM ROLLER SET	
20	021500103	12	1シュナツト5	NUT, 1 M5	
21	004401003	2	+サラコ4X10	SCREW, FLAT M4X10	
22	028050246	12	バネザガネ2-5	WASHER SPRING 2-5	
23	S45530001	1	ゲンソクギヤ-A	REDUCTION GEAR, A	
24	S23651001	2	アナヒラ6X6ホソメ	SET SCREW, SOCKET (FT) M6X6	
25	S45531001	1	ゲンソクギヤ-B	REDUCTION GEAR, B	
26	014400636	2	アナクボミ4X6	SET SCREW SOCKET (CP) M4X6	
27	S45533001	1	センサシヤフト	SENSOR SHAFT	
28	012500536	1	アナヒラ5X5	SET SCREW SOCKET (FT) M5X5	
29	S46948001	1	キバントリツケベース	PCB SETTING BASE	
30	S08421000	2	スペーサ	SPACER	
31	062400816	1	ナベコ4X8	SCREW PAN M4X8	
32	S40728100	1	ポテンシヨメータクミ3H	POTENTIOMETER ASSY, 3H	
33	S45539000	1	ポテンシヨメータイタ	POTNTIOMETER PLATE	
34	025100236	1	ヒラザガネチュウ10	WASHER PLAIN M 10	
35	S46947001	1	チエンジボックスカバー	CHANGE BOX COVER	
36	062400616	3	ナベコ4X6	SCREW PAN M4X6	

F1 . 押え関係 (刺しゅう枠) / Presser foot mechanism (Embroidery frame)

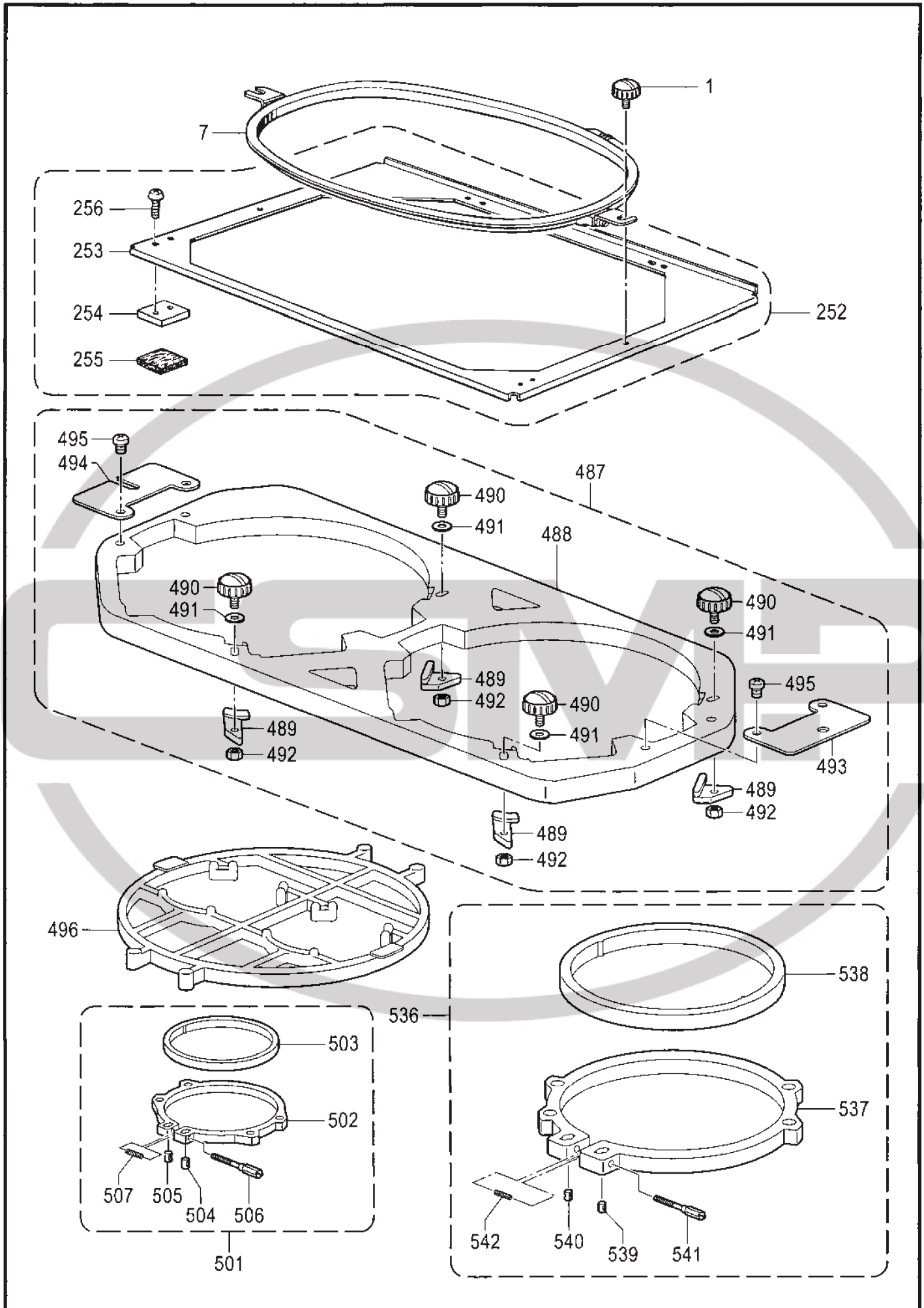


F1. 押え関係 (刺しゅう枠) / Presser foot mechanism (Embroidery frame)

REF.NO	CODE	QTY	品名	NAME OF PARTS	RM
1	S46999001	2	ツマミネジM4B	KNOB SCREW, M4B	
252	S36397001	1	ダイワククミ	FRAME HOLDER BASE ASSY	
253	S36391001	1	ヒラワクフレームクミ	HOLDER BASE ASSY	
254	S15284000	2	スベリイタ	SLIDING PLATE	
255	S15285000	2	スベリフェルト	SLIDING FELT	
256	062400616	4	ナベコ4X6	SCREW, PAN M4X6	
7	S15660001	1	<縫製エリア415X260mm> カクワク45X32	<Sewing area "415X260mm"> SQUARE FRAME, SPFA-45X32	
7	S15650001	1	<縫製エリア205X200mm> カクワク24X24	<Sewing area "205X200mm"> SQUARE FRAME, SPFA-24X24	
7	S15654001	1	<縫製エリア415X170mm> カクワク45X23	<Sewing area "415X170mm"> SQUARE FRAME, SPFA-45X23	
7	S15658001	1	<縫製エリア415X215mm> カクワク45X27	<Sewing area "415X260mm"> SQUARE FRAME, SPFA-45X27	
487	S49342001	1	<クモの巣枠用> クモノスダイワククミ	<For Spider net frame> SPIDER NET FRAME HOLDER ASSY	
488	S49343001	1	クモノスダイネジクミ	SPIDER NET FRAME SCREW ASSY	
489	S49345001	4	クモノスダイスペーサ	SPIDER NET FRAME SPACER	
490	S46999001	4	ツマミネジM4B	KNOB SCREW, M4B	
491	026040136	4	ヒラザガネコガタ	WASHER, PLAIN S 4	
492	021400206	4	2シュナツト4	NUT, 2 M4	
493	S49346001	1	クモノスダイカナグ1	HOLDER, 1	
494	S49347001	1	クモノスダイカナグ2	HOLDER, 2	
495	062400816	4	ナベコ4X8	SCREW, PAN M4X8	
496	S49348001	1	<縫製エリアφ50mm> クモノスワケ-05	<Sewing area "φ50mm"> SPIDER NET FRAME, 05	
501	S49349101	2	マルワケ-05クミ	ROUND FRAME ASSY, 05	
502	S49351101	2	マルワケ-05ソト	ROUND FRAME, 05 : OUTER	
503	S49352101	2	マルワケ-05ウチ	ROUND FRAME, 05 : INNER	
504	S32798001	2	ワクシメカラ	COLLAR	
505	S32799001	2	ワクシメナツトM4	NUT, M4	
506	S33802001	2	ワクシメネジM4	SCREW, M4	
507	S36043000	2	ワクヨウバネ	SPRING, COMPRESSION 5.3X47.7	
496	S49353001	1	<縫製エリアφ70mm> クモノスワケ-07	<Sewing area "φ70mm"> SPIDER NET FRAME, 07	
501	S49354101	1	マルワケ-07クミ	ROUND FRAME ASSY, 07	
502	S49356101	1	マルワケ-07ソト	ROUND FRAME, 07 : OUTER	
503	S49357101	1	マルワケ-07ウチ	ROUND FRAME, 07 : INNER	
504	S32798001	1	ワクシメカラ	COLLAR	
505	S32799001	1	ワクシメナツトM4	NUT, M4	
506	S33802001	1	ワクシメネジM4	SCREW, M4	
507	S36043000	1	ワクヨウバネ	SPRING, COMPRESSION 5.3X47.7	

BE-0901E/1201B-201

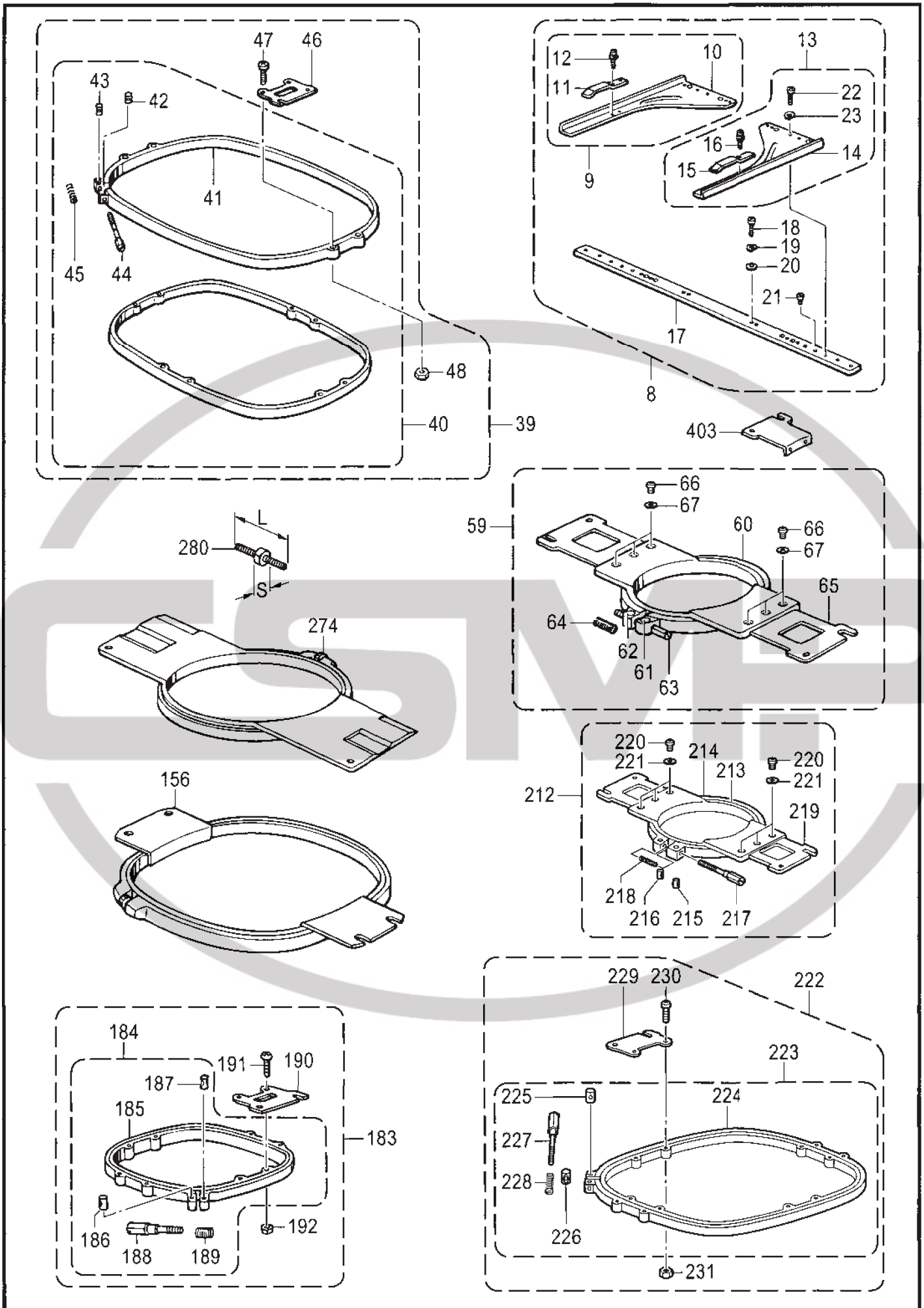
F1 . 押え関係 (刺しゅう枠) / Presser foot mechanism (Embroidery frame)



F1. 押え関係 (刺しゅう枠) / Presser foot mechanism (Embroidery frame)

REF.NO	CODE	Q'TY	品名	NAME OF PARTS	RM
			<縫製エリアφ100mm>	<Sewing area "φ100mm">	
496	S49358001	1	クモノスワク-10	SPIDER NET FRAME, 10	
501	S49359101	1	マルワク-10クミ	ROUND FRAME ASSY, 10	
502	S49361101	1	マルワク-10ソト	ROUND FRAME, 10 : OUTER	
503	S49362101	1	マルワク-10ウチ	ROUND FRAME, 10 : INNER	
504	S32798001	1	ワクシメカラー	COLLAR	
505	S32799001	1	ワクシメナツトM4	NUT, M4	
506	S33802001	1	ワクシメネジM4	SCREW, M4	
507	S36043000	1	ワクヨウバネ	SPRING, COMPRESSION 5.3X47.7	
			<縫製エリアφ130mm>	<Sewing area "φ130mm">	
496	S49363001	1	クモノスワク-13	SPIDER NET FRAME, 13	
501	S49364101	1	マルワク-13クミ	ROUND FRAME ASSY, 13	
502	S49366101	1	マルワク-13ソト	ROUND FRAME, 13 : OUTER	
503	S49367101	1	マルワク-13ウチ	ROUND FRAME, 13 : INNER	
504	S32798001	1	ワクシメカラー	COLLAR	
505	S32799001	1	ワクシメナツトM4	NUT, M4	
506	S33802001	1	ワクシメネジM4	SCREW, M4	
507	S36043000	1	ワクヨウバネ	SPRING, COMPRESSION 5.3X47.7	
			<縫製エリアφ160mm>	<Sewing area "φ160mm">	
496	S49368001	1	クモノスワク-16	SPIDER NET FRAME, 16	
501	S49369101	1	マルワク-16クミ	ROUND FRAME ASSY, 16	
502	S49371101	1	マルワク-16ソト	ROUND FRAME, 16 : OUTER	
503	S49372101	1	マルワク-16ウチ	ROUND FRAME, 16 : INNER	
504	S32798001	1	ワクシメカラー	COLLAR	
505	S32799001	1	ワクシメナツトM4	NUT, M4	
506	S33802001	1	ワクシメネジM4	SCREW, M4	
507	S36043000	1	ワクヨウバネ	SPRING, COMPRESSION 5.3X47.7	
			<縫製エリアφ190mm>	<Sewing area "φ190mm">	
536	S49373101	1	マルワク-19クミ	ROUND FRAME ASSY, 19	
537	S49375101	1	マルワク-19ソト	ROUND FRAME, 19 : OUTER	
538	S49376101	1	マルワク-19ウチ	ROUND FRAME, 19 : INNER	
539	S32798001	1	ワクシメカラー	COLLAR	
540	S32799001	1	ワクシメナツトM4	NUT, M4	
541	S33802001	1	ワクシメネジM4	SCREW, M4	
542	S36043000	1	ワクヨウバネ	SPRING, COMPRESSION 5.3X47.7	

F2 . 押え関係 (筒物枠; オプション部品) / Presser foot mechanism (Tubular frame; Option parts)

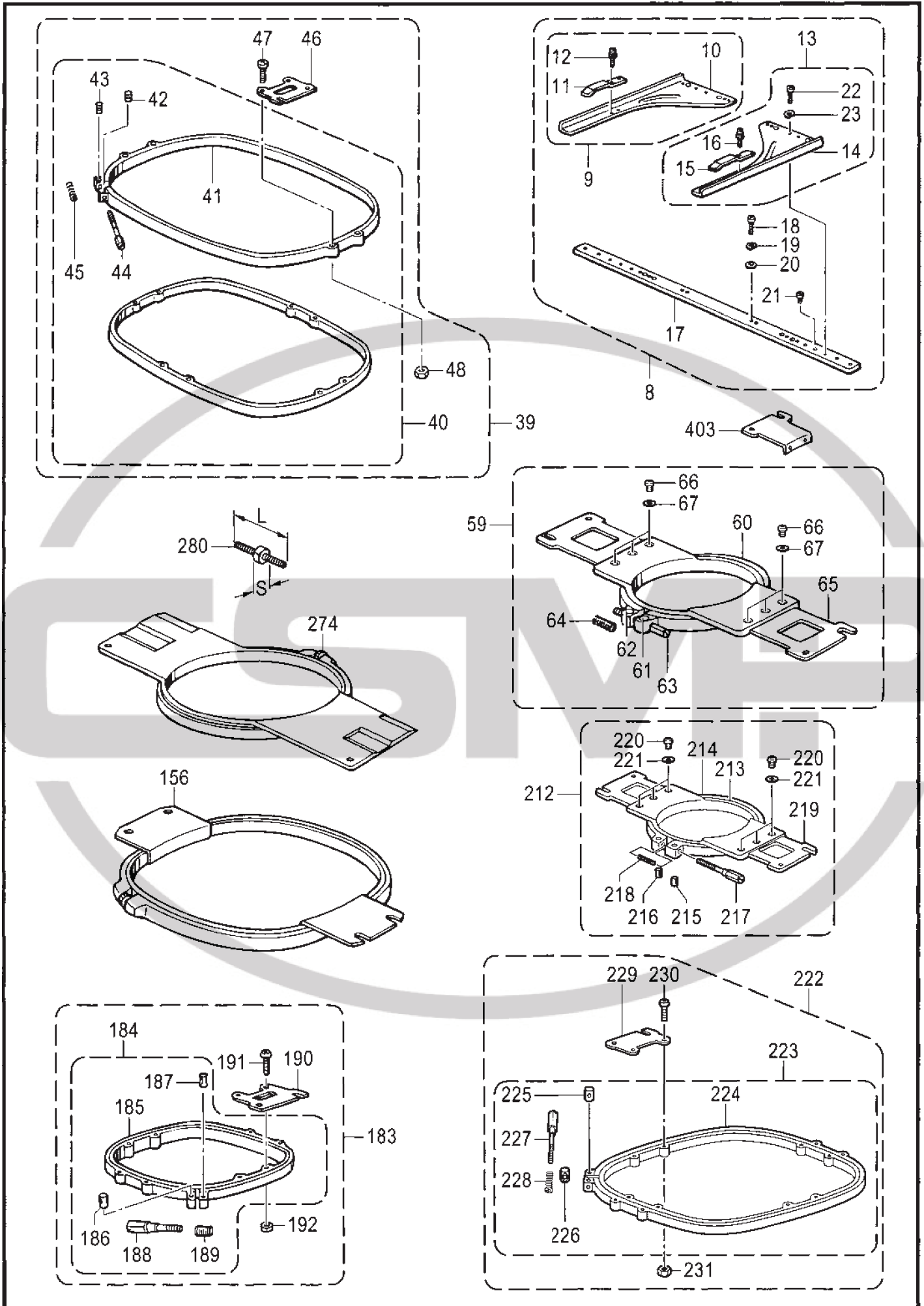


F2. 押え関係 (筒物枠;オプション部品) / Presser foot mechanism (Tubular frame; Option parts)

REF.NO	CODE	QTY	品名	NAME OF PARTS	RM
8	S36483001	1	フクロモノフレームセット	TUBULAR FRAME HOLDER BASE SET	
9	S36485001	1	フクロモノウデLセット	TUBULAR ROUND ARM SET, L	
10	S36486001	1	フクロモノウデLクミ	TUBULAR ROUND ARM ASSY, L	
11	S32775000	1	ワクオサエバネ	SPRING, COMPRESSION	
12	U08671003	2	ナベコ5X14	SCREW, PAN (S/P WASHER) M3X5	
13	S36488001	1	フクロモノウデRセット	TUBULAR ROUND ARM SET, R	
14	S36489001	1	フクロモノウデRクミ	TUBULAR ROUND ARM ASSY, R	
15	S32775000	1	ワクオサエバネ	SPRING, COMPRESSION	
16	U08671003	2	ナベコ5X14	SCREW, PAN (S/P WASHER) M3X5	
17	S36484000	1	フクロモノフレーム	TUBULAR FRAME HOLDER BASE	
18	062501416	2	ナベコ5X14	SCREW, PAN M5X14	
19	028050246	2	バネザガネ2-5	WASHER, SPRING 2-5	
20	026050136	2	ヒラザガネコガタ5	WASHER, PLAIN S 5	
21	S32877101	8	イチギメピン	POSITIONING PIN	
22	062500816	4	ナベコ5X8	SCREW, PAN M5X8	
23	028050246	4	バネザガネ2-5	WASHER, SPRING 2-5	
403	S36405001	1	ツツワクウデB	HOLDER, B	
			<縫製エリア450X285mm>	<Sewing area "450X300mm">	
39	S33803201	1	ツツワク30X48クミ	TUBULAR FRAME ASSY, SPFA-30X48	
40	S32795201	1	カクワク30X48クミ	SQUARE FRAME ASSY, SPFA-30X48	
41	S32793101	1	カクワク30X48'ソト	SQUARE FRAME, 30X48 : OUTER	
42	S32798001	1	ワクシメカラ	COLLAR	
43	S32799001	1	ワクシメナツトM4	NUT, M4	
44	S33802001	1	ワクシメネジM4	SCREW, M4	
45	S36043000	1	ワクヨウバネ	SPRING, COMPRESSION 5.3X47.7	
46	S32797001	2	ツツワクカナグA	HOLDER, A	
47	062401616	4	ナベコ4X16	SCREW, PAN M4X16	
48	021400206	4	2シユナツト4	NUT, 2 M4	
			<縫製エリア30X50mm>	<Sewing area "30X50mm">	
59	S44700201	1	ツツワク-05クミ	TUBULAR FRAME ASSY, 05	
60	S44702001	1	ツツワク-05'ソト	TUBULAR FRAME, 05 : OUTER	
61	S32798001	1	ワクシメカラ	COLLAR	
62	S32799001	1	ワクシメナツトM4	NUT, M4	
63	S33802001	1	ワクシメネジM4	SCREW, M4	
64	S36043000	1	ワクヨウバネ	SPRING, COMPRESSION 5.3X47.7	
65	S39104001	2	ツツワクカナグC	HOLDER, C	
66	060300616	6	バインド3X6	SCREW, BIND M3X6	
67	025030236	6	ヒラザガネチュウ3	WASHER, PLAIN M 3	
			<縫製エリア55X70mm>	<Sewing area "55X70mm">	
59	S44703201	1	ツツワク-07クミ	TUBULAR FRAME ASSY, 07	
60	S44705001	1	ツツワク-07'ソト	TUBULAR FRAME, 07 : OUTER	
61	S32798001	1	ワクシメカラ	COLLAR	
62	S32799001	1	ワクシメナツトM4	NUT, M4	
63	S33802001	1	ワクシメネジM4	SCREW, M4	
64	S36043000	1	ワクヨウバネ	SPRING, COMPRESSION 5.3X47.7	
65	S39104001	2	ツツワクカナグC	HOLDER, C	
66	060300616	6	バインド3X6	SCREW, BIND M3X6	
67	025030236	6	ヒラザガネチュウ3	WASHER, PLAIN M 3	

BE-0901E/1201B-201

F2 . 押え関係 (筒物枠; オプション部品) / Presser foot mechanism (Tubular frame; Option parts)

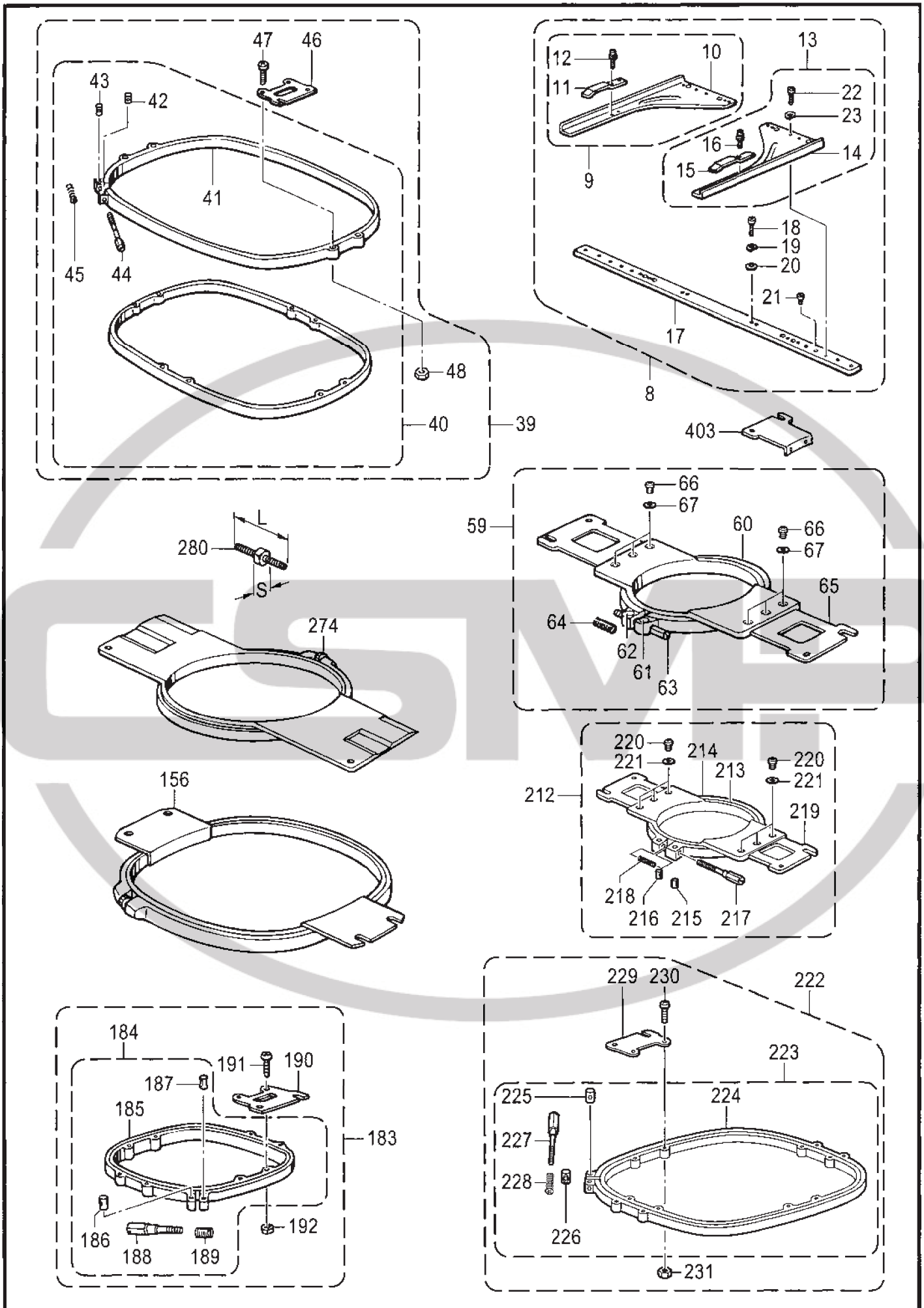


F2. 押え関係 (筒物枠;オプション部品) / Presser foot mechanism (Tubular frame; Option parts)

REF.NO	CODE	QTY	品名	NAME OF PARTS	RM
			<縫製エリア85X100mm>	<Sewing area "85X100mm">	
59	S39101301	1	ツツワケ-10クミ	TUBULAR FRAME ASSY, 10	
60	S39103101	1	ツツワケ-10ソト	TUBULAR FRAME, 10 : OUTER	
61	S32798001	1	ワクシメカラ	COLLAR	
62	S32799001	1	ワクシメナツトM4	NUT, M4	
63	S33802001	1	ワクシメネジM4	SCREW, M4	
64	S36043000	1	ワクヨウバネ	SPRING, COMPRESSION 5.3X47.7	
65	S39104001	2	ツツワケカナゲC	HOLDER, C	
66	060300616	6	バインド3X6	SCREW, BIND M3X6	
67	025030236	6	ヒラザガネチュウ3	WASHER, PLAIN M 3	
			<縫製エリア115X130mm>	<Sewing area "115X130mm">	
59	S39105301	1	ツツワケ-13クミ	TUBULAR FRAME ASSY, 13	
60	S39107101	1	ツツワケ-13ソト	TUBULAR FRAME, 13 : OUTER	
61	S32798001	1	ワクシメカラ	COLLAR	
62	S32799001	1	ワクシメナツトM4	NUT, M4	
63	S33802001	1	ワクシメネジM4	SCREW, M4	
64	S36043000	1	ワクヨウバネ	SPRING, COMPRESSION 5.3X47.7	
65	S39104001	2	ツツワケカナゲC	HOLDER, C	
66	060300616	6	バインド3X6	SCREW, BIND M3X6	
67	025030236	6	ヒラザガネチュウ3	WASHER, PLAIN M 3	
			<縫製エリアφ30mm>	<Sewing area "φ30mm">	
274	S15623000	1	フクロモノワケ-07	TUBULAR ROUND FRAME, TFA-07	
			<縫製エリアφ50mm>	<Sewing area "φ50mm">	
274	S15624000	1	フクロモノワケ-09	TUBULAR ROUND FRAME, TFA-09	
			<縫製エリアφ80mm>	<Sewing area "φ80mm">	
274	S15625000	1	フクロモノワケ-12	TUBULAR ROUND FRAME, TFA-12	
			<縫製エリアφ110mm>	<Sewing area "φ110mm">	
274	S15626000	1	フクロモノワケ-15	TUBULAR ROUND FRAME, TFA-15	
			<縫製エリアφ140mm>	<Sewing area "φ140mm">	
274	S35655001	1	フクロモノワケ-18	TUBULAR ROUND FRAME, TFA-18	
			<縫製エリア205X200mm>	<Sewing area "205X200mm">	
156	S15627000	1	フクロモノワケ-24X24	TUBULAR ROUND FRAME, TFA-24X24	
			<縫製エリア285X215mm>	<Sewing area "285X215mm">	
156	S15628000	1	フクロモノワケ-24X30	TUBULAR ROUND FRAME, TFA-24X30	
			<縫製エリア410X260mm>	<Sewing area "410X260mm">	
156	S36495001	1	フクロモノワケ-32X45	TUBULAR ROUND FRAME, TFA-32X45	
			<縫製エリア335X453mm>	<Sewing area "335X453mm">	
156	S40063001	1	フクロモノワケ-335X453	TUBULAR ROUND FRAME ASSY,	
			<縫製エリアφ160mm>	<Sewing area "φ160mm">	
212	S49377201	1	ツツワケ-16クミ	ROUND FRAME ASSY, 16	
213	S49378201	1	ツツワケ-16ウチ	TUBULAR FRAME, 16 : INNER	
214	S49371101	1	マルワケ-16ソト	ROUND FRAME, 16 : OUTER	
215	S32798001	1	ワクシメカラ	COLLAR	
216	S32799001	1	ワクシメナツトM4	NUT, M4	
217	S33802001	1	ワクシメネジM4	SCREW, M4	
218	S36043000	1	ワクヨウバネ	SPRING, COMPRESSION 5.3X47.7	
219	S49379001	2	ツツワケカナゲE	HOLDER, E	
220	060300616	6	バインド3X6	SCREW, BIND M3X6	
221	025030236	6	ヒラザガネチュウ3	WASHER, PLAIN M 3	

BE-0901E/1201B-201

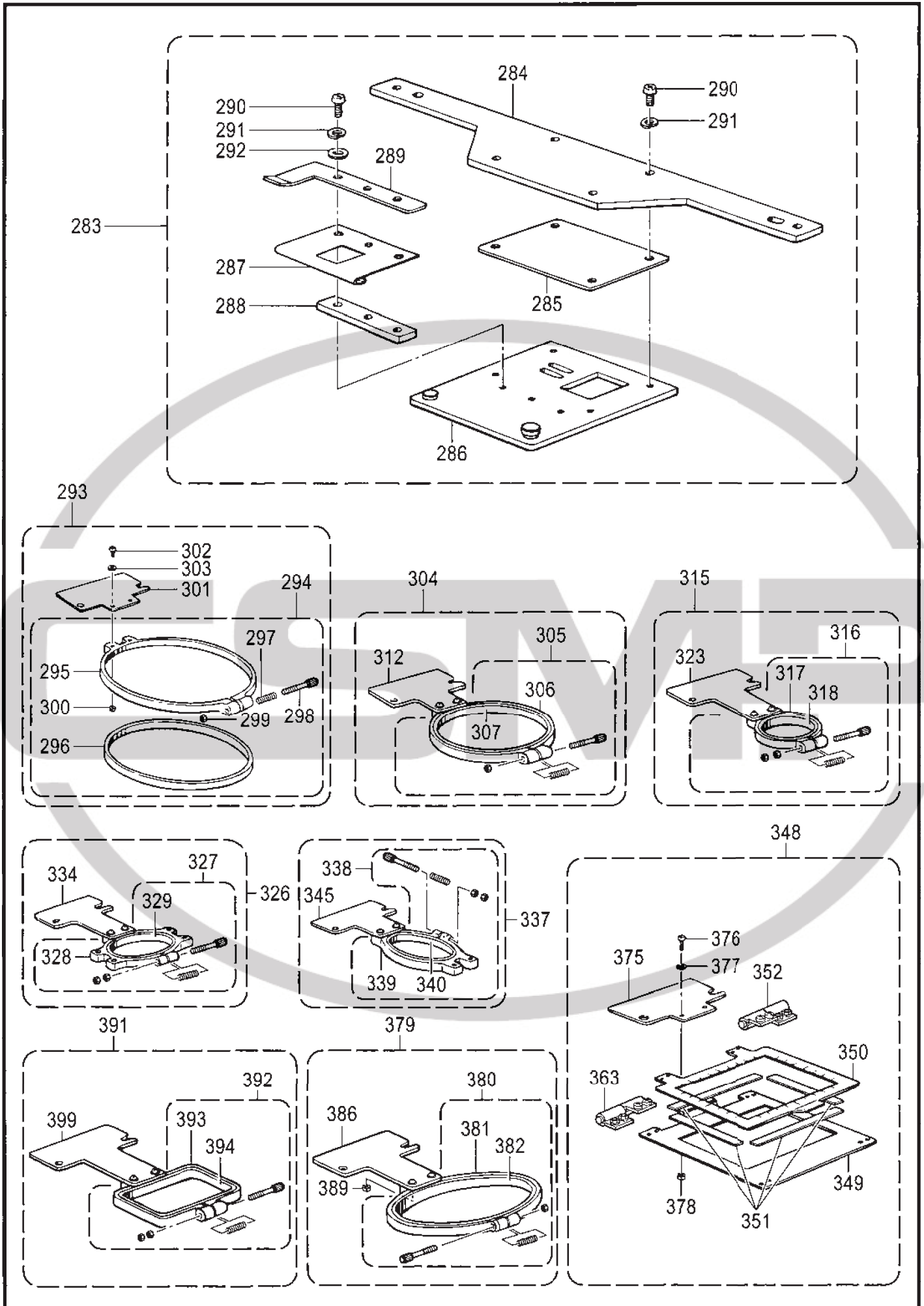
F2 . 押え関係 (筒物枠; オプション部品) / Presser foot mechanism (Tubular frame; Option parts)



F2. 押え関係 (筒物枠;オプション部品) / Presser foot mechanism (Tubular frame; Option parts)

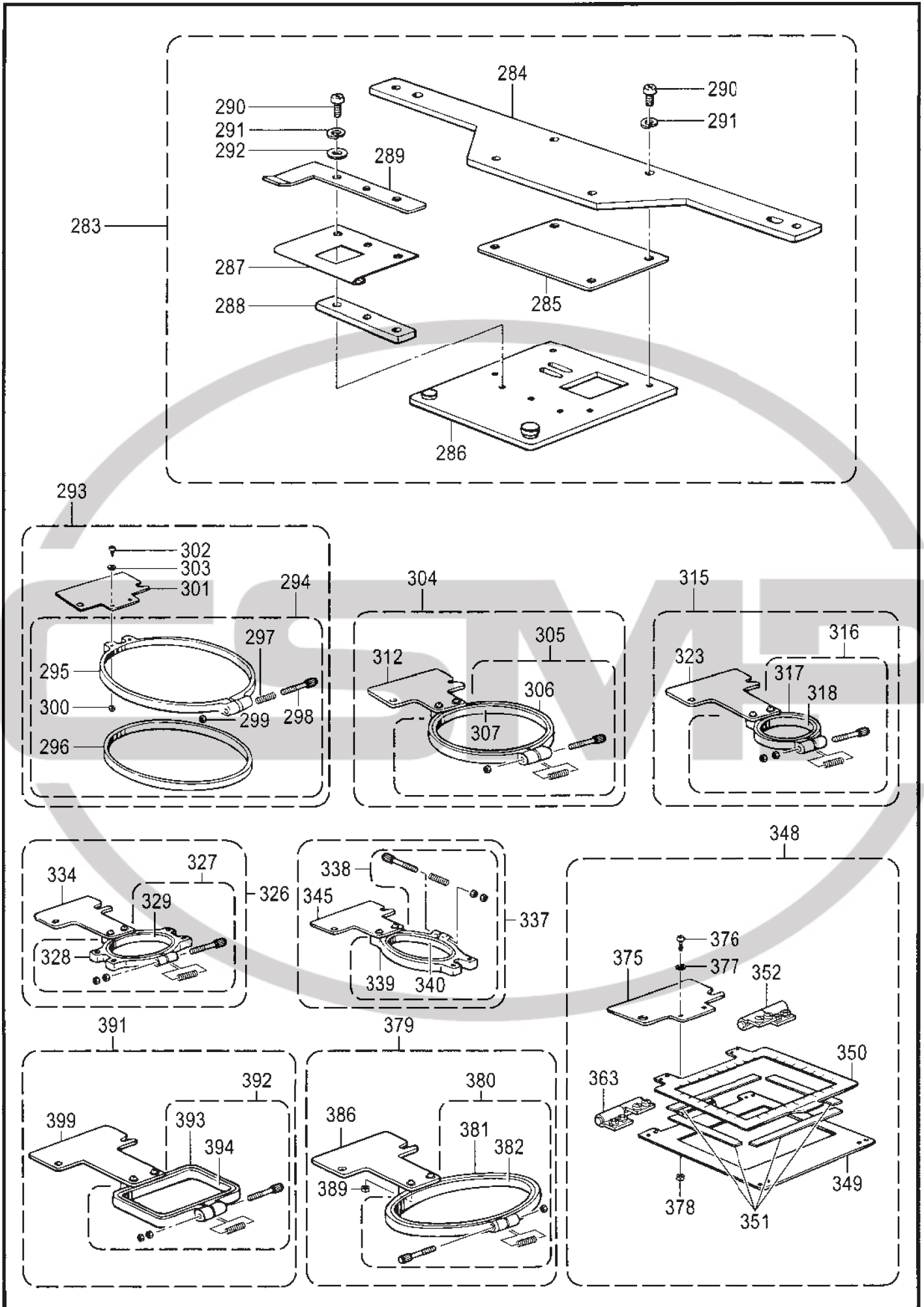
REF.NO	CODE	QTY	品名	NAME OF PARTS	RM
			<縫製エリアφ190mm>	<Sewing area "φ190mm">	
212	S49380201	1	ツツワケ-19クミ	ROUND FRAME ASSY, 19	
213	S49381201	1	ツツワケ-19ウチ	TUBULAR FRAME, 19 :INNER	
214	S49375101	1	マルワケ-19ソト	ROUND FRAME, 19 :OUTER	
215	S32798001	1	ワクシメカラ	COLLAR	
216	S32799001	1	ワクシメナツトM4	NUT, M4	
217	S33802001	1	ワクシメネジM4	SCREW, M4	
218	S36043000	1	ワクヨウパネ	SPRING, COMPRESSION 5.3X47.7	
219	S49379001	2	ツツワケカナゲE	HOLDER, E	
220	060300616	6	バインド3X6	SCREW, BIND M3X6	
221	025030236	6	ヒラザガネチュウ3	WASHER, PLAIN M 3	
			<S=8mm,L=21mm>	<S=8mm,L=21mm>	
280	S33207000	1	ワクチヨウセイネジ21	ADJUSTING SCREW, 21	
			<S=8mm,L=23mm>	<S=8mm,L=23mm>	
280	S33208000	1	ワクチヨウセイネジ23	ADJUSTING SCREW, 23	
			<S=8mm,L=27mm>	<S=8mm,L=27mm>	
280	S33209000	1	ワクチヨウセイネジ27	ADJUSTING SCREW, 27	
			<S=8mm,L=31mm>	<S=8mm,L=31mm>	
280	S29634001	1	ワクチヨウセツネジL	ADJUSTING SCREW, L	
			<縫製エリア220X225mm>	<Sewing area "220X225">	
183	S44715001	1	ツツワク23X24クミ	TUBULAR FRAME SET, 23X24	
184	S44714001	1	カクワク23X24クミ	SQUARE FRAME ASSY, 23X24	
185	S44713001	1	カクワク23X24ソト	SQUARE FRAME, 23X24 :OUTER	
186	S32798001	1	ワクシメカラ	COLLAR	
187	S32799001	1	ワクシメナツトM4	NUT, M4	
188	S33802001	1	ワクシメネジM4	SCREW, M4	
189	S36043000	1	ワクヨウパネ	SPRING, COMPRESSION 5.3X47.7	
190	S32797001	2	ツツワクカナゲA	HOLDER, A	
191	062401416	4	ナベコ4X14	SCREW, PAN M4X14	
192	021400206	4	2シユナツト4	NUT, 2 M4	
			<縫製エリア285X270mm>	<Sewing area "220X225">	
222	S55031001	1	ツツワク30X28P500クミ	TUBULAR FRAME ASSY, 30X28P500	
223	S44724101	1	カクワク30X28クミ	SQUARE FRAME ASSY, 30X28	
224	S44723001	1	カクワク30X28ソト	SQUARE FRAME, 30X28 :OUTER	
225	S32798001	1	ワクシメカラ	COLLAR	
226	S32799001	1	ワクシメナツトM4	NUT, M4	
227	S33802001	1	ワクシメネジM4	SCREW, M4	
228	S36043000	1	ワクヨウパネ	SPRING, COMPRESSION 5.3X47.7	
229	S55030001	2	ツツワクカナゲG	HOLDER, G	
230	062401416	4	ナベコ4X14	SCREW, PAN M4X14	
231	021400206	4	2シユナツト4	NUT, 2 M4	

BE-0901E/1201B-201



F3. 押え関係 (ネーム枠セット;オプション部品) / Presser foot mechanism (Name frame set; Option parts)

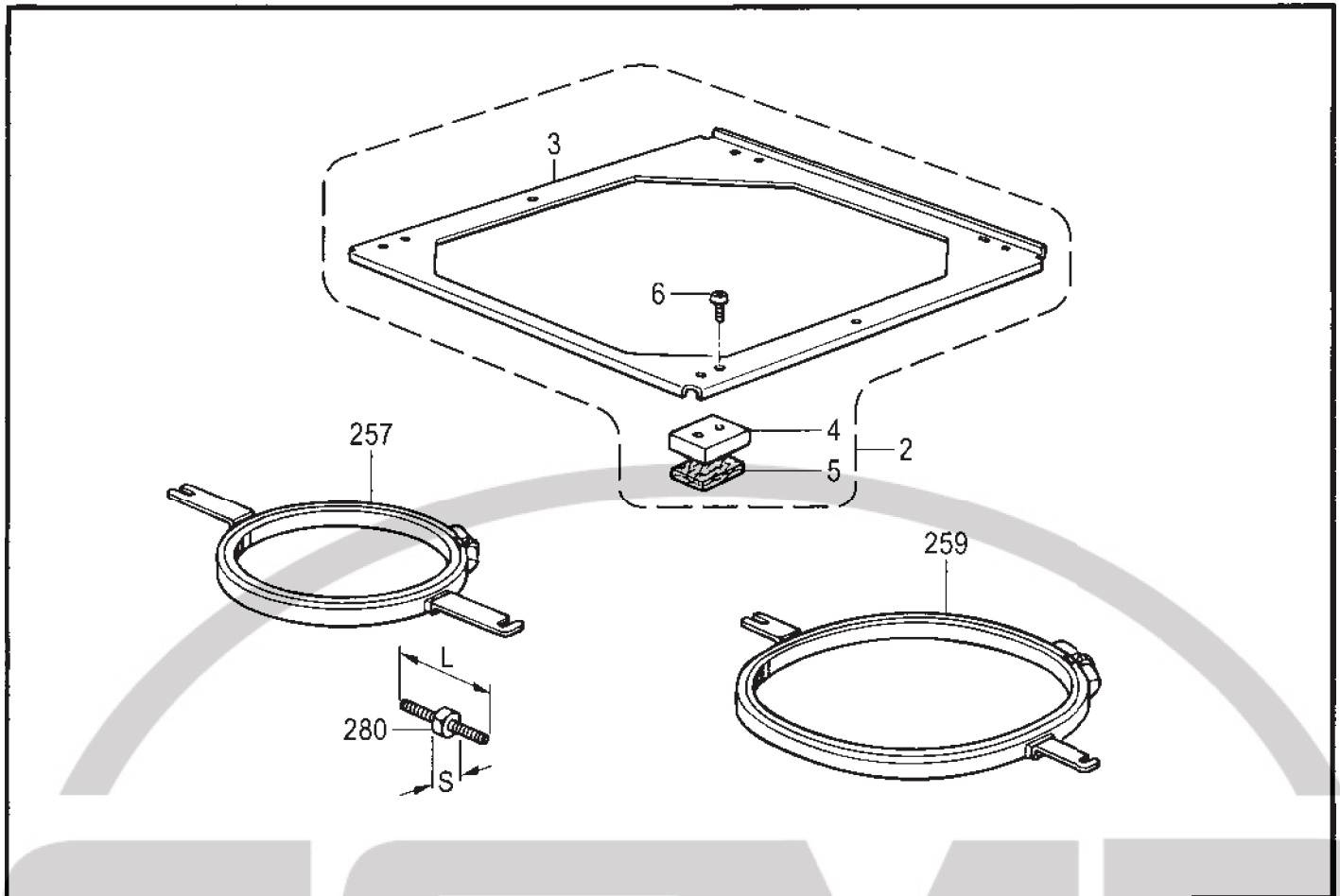
REF.NO	CODE	Q'TY	品名	NAME OF PARTS	RM
283	S36400001	1	ネ-ムワククミ	NAME FRAME ASSY	
284	S36399001	1	ネ-ムワクヨウイタ	NAME FRAME PLATE	
285	S20012001	1	スペーサ	SPACER	
286	S09823101	1	スライドプレートクミ	SLIDE PLATE ASSY	
287	S09830101	1	イタバネ(A)	PLATE SPRING, A	
288	S09827001	1	オサエスペーサ	PRESSER SPACER	
289	S09828101	1	ワクオサエ	FRAME PRESSER PLATE	
290	062670814	7	ナベコ357-40X8	SCREW, PAN SM3.57-40X8	
291	028350243	7	バネザガネ2-3.5	WASHER, SPRING 2-3.5	
292	025350236	3	ヒラザガネチユウ3.5	WASHER, PLAIN M 3.5	
			<枠A-G、枠3X6共通部品>	<Common parts for "Hoop A-G & 3X6">	
297	121764001	1	オシバネ	SPRING, COMPRESSION	
298	121765001	1	ツマミネジ3.57	KNOB SCREW, SM3.57	
299	021670203	1	2シユナツト357-40	NUT, 2 SM3.57-40	
300	021300205	2	2シユナツト3	NUT, 2 M3	
302	062300806	2	ナベコ3X8	SCREW, PAN M3X8	
303	025030233	2	ヒラザガネチユウ3	WASHER, PLAIN M 3	
			<縫製エリアφ105mm>	<Sewing area "φ105mm">	
293	S32945001	1	ワクAクミ	HOOP ASSY, A	
294	S32296001	1	シシユウワクAクミ	EMBROIDERY HOOP ASSY, A	
295	157044201	1	シシユウソトワクA	EMBROIDERY OUTER HOOP, A	
296	157047201	1	ウチワクA	INNER HOOP, A	
301	S09815001	1	カセットホルダー(A)	CASSETTE HOLDER, A	
			<縫製エリアφ75mm>	<Sewing area "φ75mm">	
304	S32946001	1	ワクBクミ	HOOP ASSY, B	
305	S32297001	1	シシユウワクBクミ	EMBROIDERY HOOP ASSY, B	
306	157200201	1	シシユウソトワクB	EMBROIDERY OUTER HOOP, B	
307	157199201	1	ウチワクB	INNER HOOP, B	
312	S09816001	1	カセットホルダー(B)	CASSETTE HOLDER, B	
			<縫製エリアφ25mm>	<Sewing area "φ25mm">	
315	S32947001	1	ワクCクミ	HOOP ASSY, C	
316	S32298001	1	シシユウワクCクミ	EMBROIDERY HOOP ASSY, C	
317	157202201	1	シシユウソトワクC	EMBROIDERY OUTER HOOP, C	
318	157201201	1	ウチワクC	INNER HOOP, C	
323	S09818001	1	カセットホルダー(D)	CASSETTE HOLDER, D	
			<縫製エリア60X25mm>	<Sewing area "60X25mm">	
326	S32948001	1	ワクDクミ	HOOP ASSY, D	
327	S32299001	1	シシユウワクDクミ	EMBROIDERY FRAMED ASSY	
328	157204201	1	シシユウソトワクD	EMBROIDERY OUTER HOOP D	
329	157203201	1	ウチワクD	INNER HOOP, D	
334	S09818001	1	カセットホルダー(D)	CASSETTE HOLDER, D	
			<縫製エリア25X60mm>	<Sewing area "25X60mm">	
337	S32949001	1	ワクEクミ	HOOP ASSY, E	
338	S32300001	1	シシユウワクEクミ	EMBROIDERY HOOP ASSY, G	
339	157344201	1	シシユウソトワクE	EMBROIDERY OUTER HOOP, E	
340	157203201	1	ウチワクD	INNER HOOP, D	
345	S09817001	1	カセットホルダー(C)	CASSETTE HOLDER, C	
			<縫製エリア55X25mm>	<Sewing area "55X25mm">	
391	S30580001	1	ワクGクミ	HOOP ASSY, G	
392	S30581001	1	シシユウワクGクミ	EMBROIDERY HOOP ASSY, G	
393	S30582000	1	シシユウソトワクG	OUTER HOOP, G	
394	S30583000	1	ウチワクG	INNER HOOP, G	
399	S09818001	1	カセットホルダー(D)	CASSETTE HOLDER, D	



## F3. 押え関係 (ネーム枠セット;オプション部品) / Presser foot mechanism (Name frame set; Option parts)

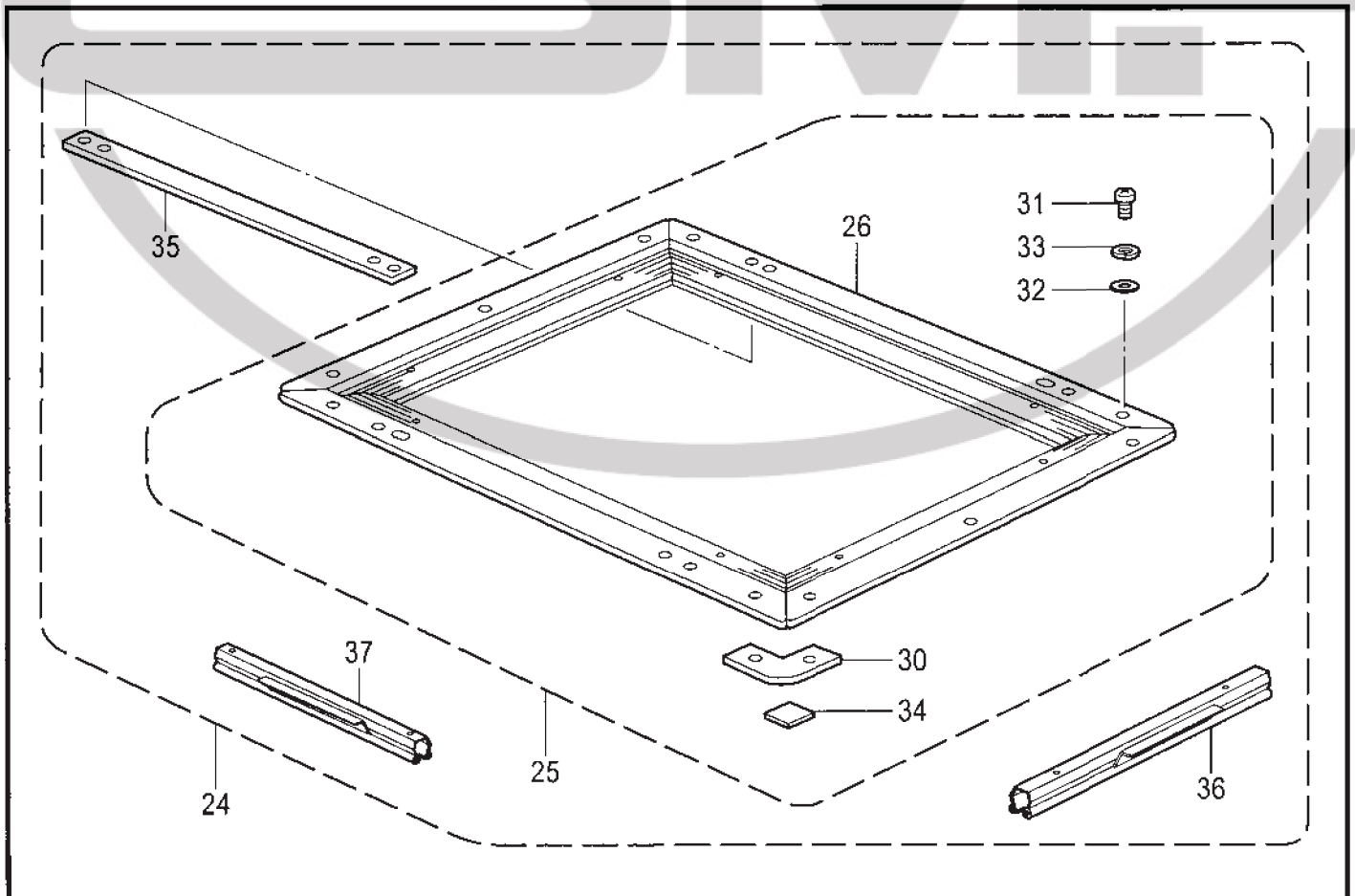
REF.NO	CODE	Q'TY	品名	NAME OF PARTS	RM
			<縫製エリア120X50mm>	<Sewing area "120X50mm">	
379	S55035001	1	ダエンワク3X6クミ	HOOP ASSY, 3X6	
380	S55240001	1	シシュウワク3X6	HOOP, 3X6	
381	S55036001	1	ダエンソトワク3X6	OUTER HOOP, OVAL 3X6	
382	S55037001	1	ダエンウチワク3X6	INNER HOOP, OVAL 3X6	
386	S55233001	1	カセットホルダー(F)	CASSETTE HOLDER, F	
389	021300205	2	2シユナツト3	NUT, 2 M3	
			<縫製エリア85X60mm>	<Sewing area "85X60mm">	
348	S09848001	1	マグネットクランプ	MAGNETIC CLAMP, 70X90	
349	157275001	1	クランプシタイタ	CLAMP LOWER PLATE	
350	157276001	1	クランプウワイタ	CLAMP UPPER PLATE	
351	S19604000	4	マグネット	MAGNET	
352	152632001	1	チヨウバンクミミギ	HINGE ASSY, R	
363	152633001	1	チヨウバンクミヒダリ	HINGE ASSY, L	
375	S09815001	1	カセットホルダー(A)	CASSETTE HOLDER, A	
376	062300806	2	ナベコ3X8	SCREW, PAN M3X8	
377	025030233	2	ヒラザガネチユウ3	WASHER, PLAIN M 3	
378	021300103	2	1シユナツト3	NUT, 1 M3	

F4 . 押え関係 (刺しゅう枠セット ; オプション部品) / Presser foot mechanism (Embroidery frame set ; Option parts)



BE-0901E/1201B-201

F5 . 押え関係 (原反枠セット ; オプション部品) / Presser foot mechanism (Border frame set ; Option parts)



BE-0901E/1201B-201

F4. 押え関係 (刺しゅう枠セット;オプション部品) / Presser foot mechanism (Embroidery frame set; Option parts)

REF.NO	CODE	Q'TY	品名	NAME OF PARTS	RM
2	S36398001	1	ダイワクSクミ	FRAME HOLDER BASE ASSY, S	
3	S36396001	1	ヒラワクフレームSクミ	HOLDER BASE ASSY, S	
4	S15284000	2	スベリイタ	SLIDING PLATE	
5	S15285000	2	スベリフェルト	SLIDING FELT	
6	062400616	4	ナベコ4X6	SCREW, PAN M4X6	
257	S15642001	1	<縫製エリア φ 175mm> エンワク21 <S=8mm,L=21mm>	<Sewing area " φ 175mm"> ROUND FRAME, SPF-21 <S=8mm,L=21mm>	
280	S33207000	1	ワクチヨウセイネジ21	ADJUSTING SCREW, 21	
257	S15646001	1	<縫製エリア φ 210mm> エンワク25 <S=8mm,L=23mm>	<Sewing area " φ 210mm"> ROUND FRAME, SPF-25 <S=8mm,L=23mm>	
280	S33208000	1	ワクチヨウセイネジ23	ADJUSTING SCREW, 23	
259	S15650001	1	<縫製エリア205X200mm> カクワク24X24 <S=8mm,L=27mm>	<Sewing area "205X200mm"> SQUARE FRAME, SPFA-24X24 <S=8mm,L=27mm>	
280	S33209000	1	ワクチヨウセイネジ27	ADJUSTING SCREW, 27	
280	S29634001	1	"補給用部品" <S=8mm,L=31mm> ワクチヨウセツネジL	"For spply parts" <S=8mm,L=31mm> ADJUSTING SCREW, L	

BE-0901E/1201B-201

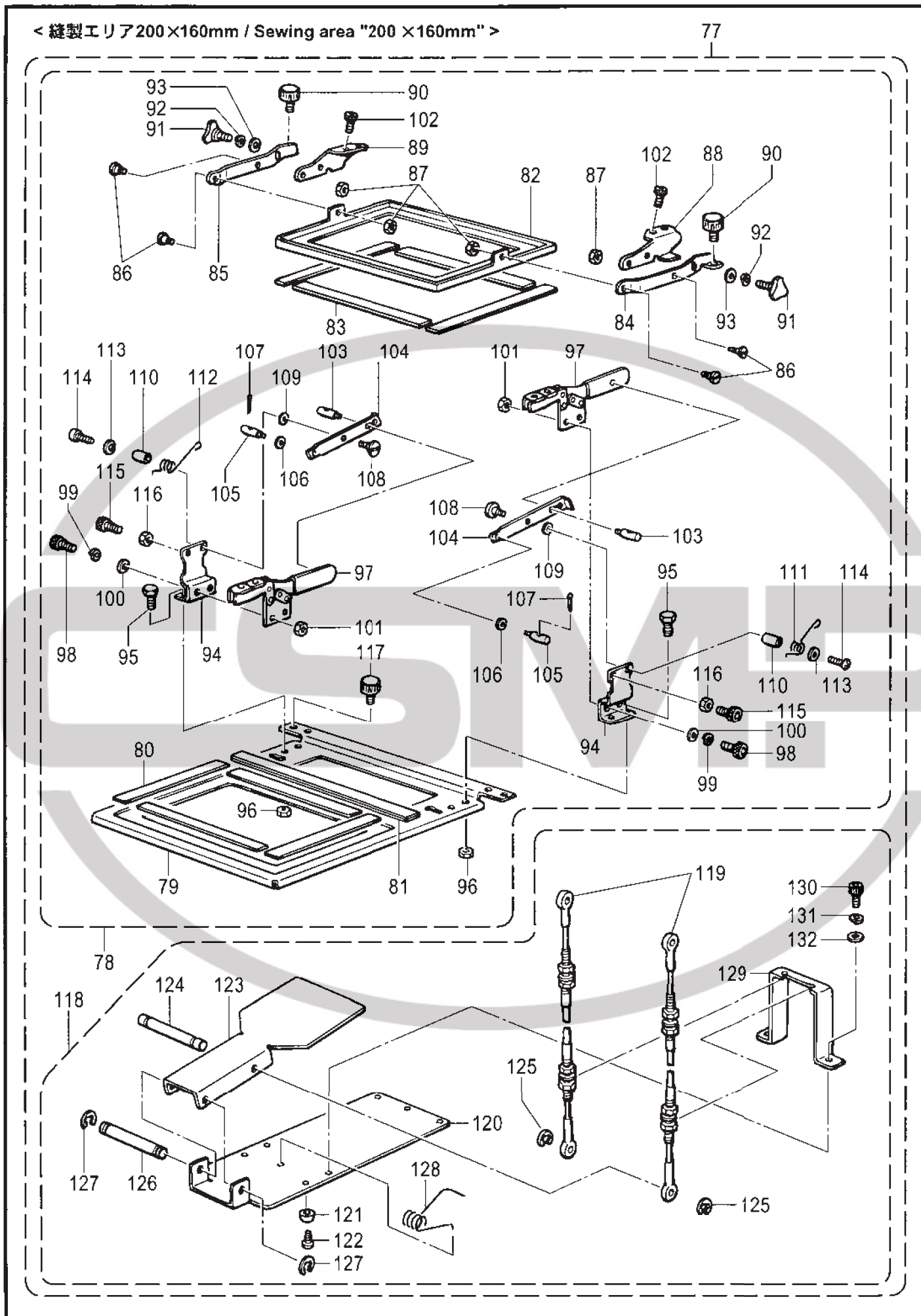
F5. 押え関係 (原反枠セット;オプション部品) / Presser foot mechanism (Border frame set; Option parts)

REF.NO	CODE	Q'TY	品名	NAME OF PARTS	RM
24	S36406001	1	<縫製エリア450X300mm> ゲンタンワクセット	<Sewing area "450X300mm"> SASHES FRAME SET	
25	S36422001	1	ゲンタンワククミ	SASHES FRAME ASSY	
26	S36401001	1	ゲンタンワク	SASHES FRAME	
30	S36421001	4	ゲンタンワクホキヨウイタ	SUPPORT PLATE	
31	062400806	8	ナベコ4X8	SCREW, PAN M4X8	
32	026040136	8	ヒラザガネコガタ	WASHER, PLAIN S 4	
33	028040246	8	バネザガネ2-4	WASHER, SPRING 2-4	
34	S36418000	2	フェルト2X25X25	FELT, 2X25X25	
35	S27910001	1	スペーサ	SPACER	
36	S32791000	2	ゲンタンクリツプ290	CLIP, 290	
37	S36408000	4	ゲンタンクリツプ220	CLIP, 220	

BE-0901E/1201B-201

< 縫製エリア200×160mm / Sewing area "200 ×160mm" >

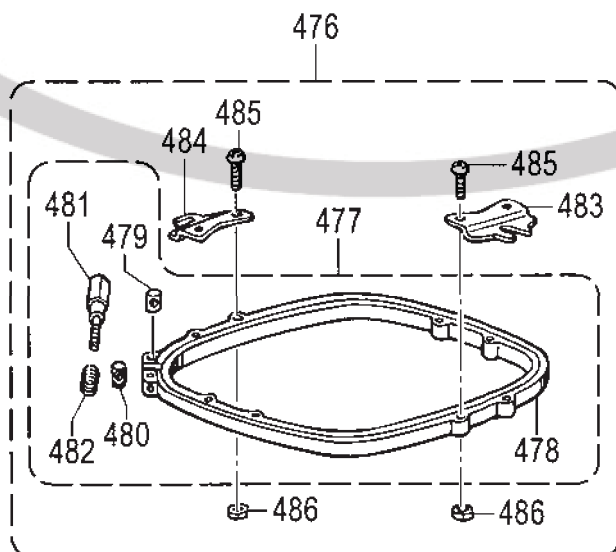
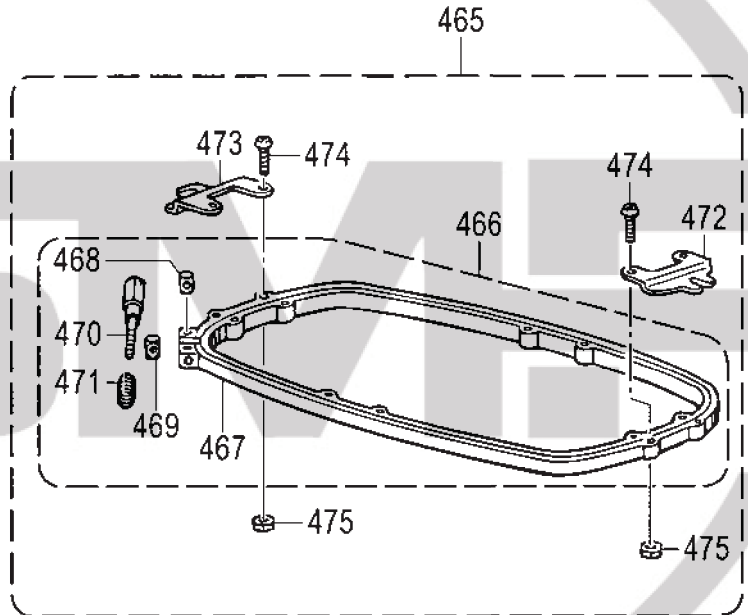
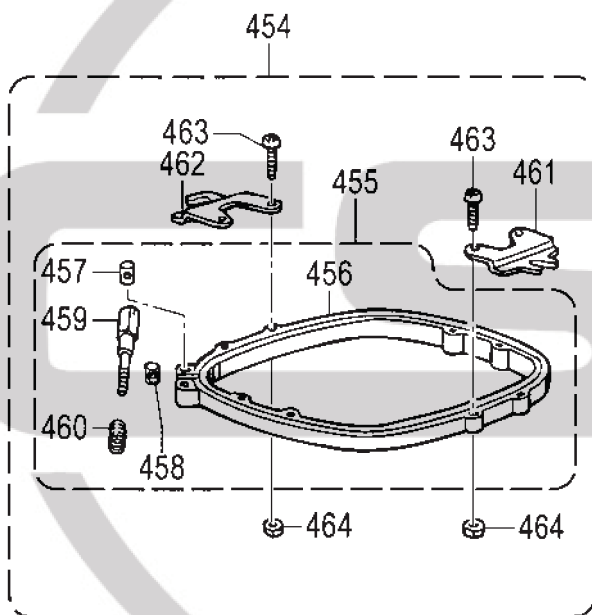
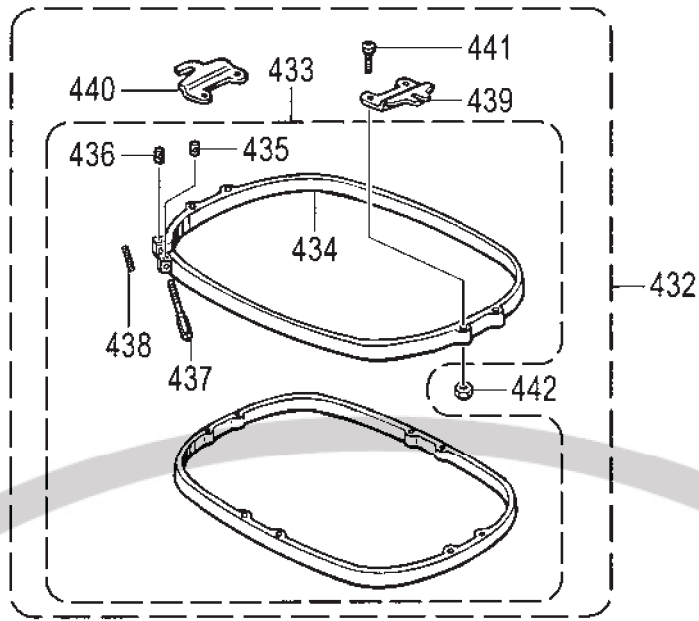
77



## F6. 押え関係 (クランプ枠セット;オプション部品) / Presser foot mechanism (Clamping frame set; Option parts)

REF.NO	CODE	QTY	品名	NAME OF PARTS	RM
			<縫製エリア200X160mm>	<Sewing area "200X160mm">	
77	S39531001	1	クランプワク20X16セット	CLAMP FRAME SET, 20X16	
78	S39532101	1	クランプワク20X16クミA	CLAMP FRAME ASSY, A :20X16	
79	S39533001	1	クランプベース20X16	CLAMP BASE, 20X16	
80	S39534000	4	スベリドメゴム-08	SLIDE STOPPER RUBBER, -08	
81	S39535000	1	スベリヨウシート	SLIDE SHEET	
82	S39536001	1	オサエイタ20X16	PRESSER PLATE, 20X16	
83	S39807000	4	スベリドメゴム-32	SLIDE STOPPER RUBBER, -32	
84	S39537001	1	オサエウデアR	PRESSER ARM, AR	
85	S39538001	1	オサエウデアL	PRESSER ARM, AL	
86	S09774001	4	ダンネジM5	SHOULDER SCREW, M5	
87	021500316	4	3シュナツト5	NUT, 3 M5	
88	S39539001	1	オサエウデBR	PRESSER ARM, BR	
89	S39540001	1	オサエウデBL	PRESSER ARM, BL	
90	S36475000	2	ツマミネジM5	SCREW, M5	
91	S55277001	2	ツマミボルトM6	THUMB BOLT, M6	
92	028060246	2	バネザガネ2-6	WASHER, SPRING 2-6	
93	025060336	2	ヒラザガネダイ6	WASHER, PLAIN L 6	
94	S39541001	2	オサエウデベース	PRESSER ARM BASE	
95	017061006	4	ボルト6X10	BOLT, M6X10	
96	021060306	4	3シュナツト6	NUT, 3 M6	
97	S39542000	2	トグル38Sシヨウ	TOGGLE, 38S	
98	018081636	4	アナボルト8X16	BOLT, SOCKET M8X16	
99	028080246	4	バネザガネ2-8	WASHER, SPRING 2-8	
100	025080236	4	ヒラザガネチユウ8	WASHER, PLAIN M 8	
101	021080306	4	3シュナツト8	NUT, 3 M8	
102	018062036	4	アナボルト6X20	BOLT, SOCKET M6X20	
103	S39543001	2	ワイヤ-カケネジM5	WIRE HOOK SCREW, M5	
104	S39544001	2	オサエアゲレバー	PRESSER BAR LIFTER LEVER	
105	S39543001	2	ワイヤ-カケネジM5	WIRE HOOK SCREW, M5	
106	146354001	2	ザガネ	WASHER, PLAIN 5	
107	110793001	2	フリピン	PIN	
108	S25439101	2	ダンネジ6	SHOULDER SCREW, M6	
109	159486001	2	ザガネ	WASHER	
110	S39553001	2	バネアンナイボウ	SPRING GUIDE BAR	
111	S39551001	1	オサエウデバネR	PRESSER BAR SPRING, R	
112	S39552001	1	オサエウデバネL	PRESSER BAR SPRING, L	
113	025060336	2	ヒラザガネダイ6	WASHER, PLAIN L 6	
114	062060806	2	ナベコ6X8	SCREW, PAN M6X8	
115	018061636	2	アナボルト6X16	BOLT, SOCKET M6X16	
116	021060306	2	3シュナツト6	NUT, 3 M6	
117	S36475000	2	ツマミネジM5	SCREW, M5	
118	S39545001	1	ワイヤ-ペダルクミ	WIRE PEDAL ASSY	
119	S39546001	2	オサエアゲワイヤ-クミ	PRESSER BAR LIFTER WIRE ASSY	
120	S39547001	1	ペダルベース	PEDAL BASE	
121	S09834000	5	ゴムキヤク	RUBBER LEG	
122	062300616	5	ナベコ3X6	SCREW, PAN M3X6	
123	S39548001	1	ペダル	PEDAL	
124	S39561001	1	ワイヤ-ジク	WIRE SHAFT	
125	048040342	2	トメワE4	RETAINING RING, E4	
126	S39549001	1	ペダルジク	PEDAL SHAFT	
127	048060346	2	トメワE6	RETAINING RING, E6	
128	S39804001	1	ペダルバネ	SPRING, PEDAL	
129	S39550001	1	ワイヤ-スタンド	WIRE STAND	
130	018501036	2	アナボルト5X10	BOLT, SOCKET M5X10	
131	028050246	2	バネザガネ2-5	WASHER, SPRING 2-5	
132	025050236	2	ヒラザガネチユウ5	WASHER, PLAIN M 5	

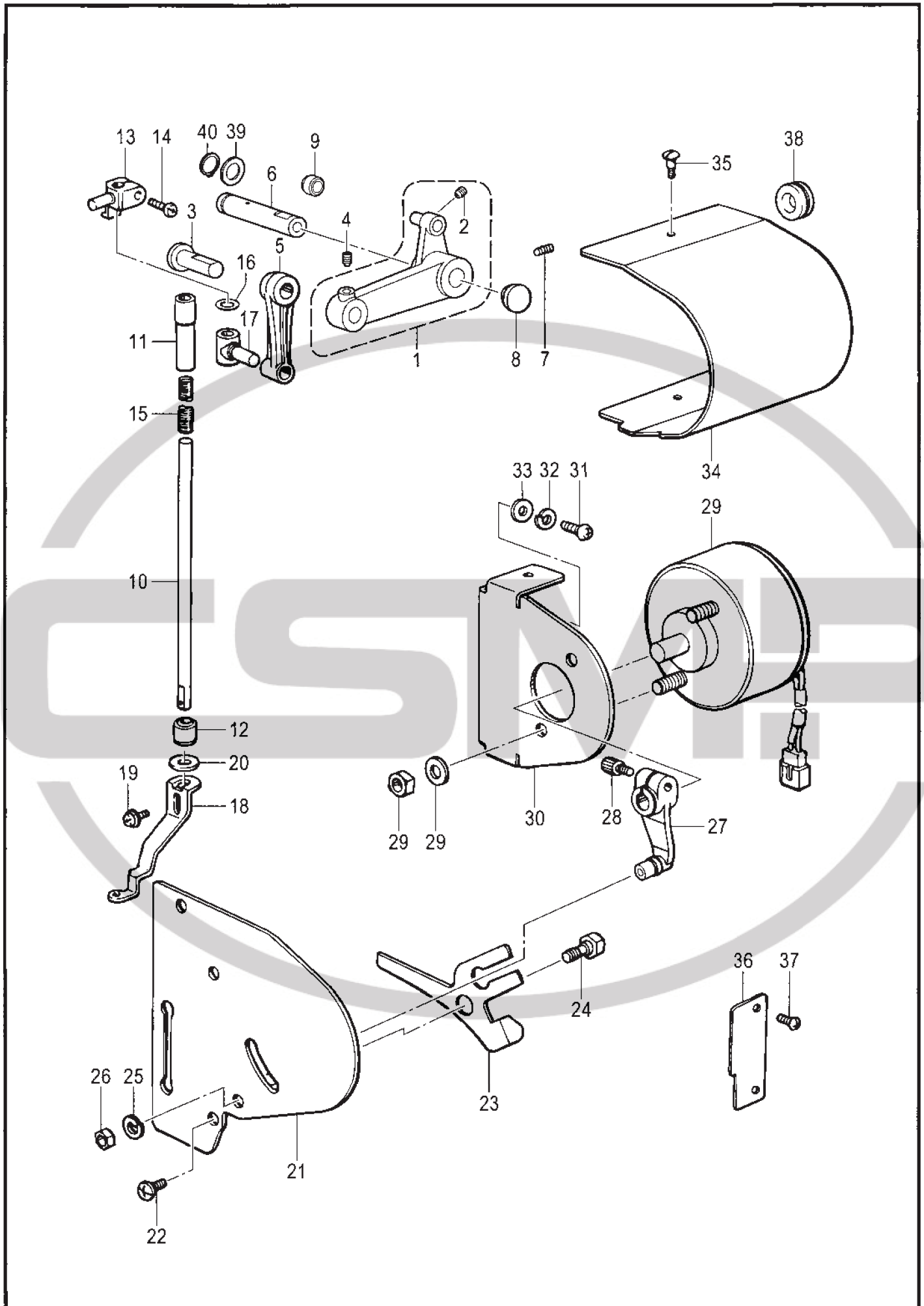
F7 . 押え関係 (オプション部品) / Presser foot mechanism (Option parts)



F7. 押え関係 (オプション部品) / Presser foot mechanism (Option parts)

REF.NO	CODE	QTY	品名	NAME OF PARTS	RM
			<縫製エリア285X410mm>	<Sewing area "285X410">	
432	S43473001	1	ヒラワク30X43クミ	SQUARE FRAME SET, 30X43	
433	S42331001	1	カクワク30X43クミ	SQUARE FRAME ASSY, 30X43	
434	S42332001	1	カクワク30X43ソト	SQUARE FRMAE, 30X43 : OUTER	
435	S32798001	1	ワクシメカラ	COLLAR	
436	S32799001	1	ワクシメナツトM4	NUT, M4	
437	S33802001	1	ワクシメネジM4	SCREW, M4	
438	S36043000	1	ワクヨウバネ	SPRING, COMPRESSION 5.3X47.7	
439	S43471001	1	ヒラワクカナグBL	HOLDER, BL	
440	S43472001	1	ヒラワクカナグBR	HOLDER, BR	
441	062401216	4	ナベコ4X12	SCREW, PAN M4X12	
442	021400206	4	2シユナツト4	NUT, 2 M4	
			<縫製エリア225X215mm>	<Sewing area "225X215">	
454	S44716001	1	ヒラワク23X24クミ	SQUARE FRAME SET, 23X24	
455	S44714001	1	カクワク23X24クミ	SQUARE FRAME ASSY, 23X24	
456	S44713001	1	カクワク23X24ソト	SQUARE FRAME, 23X24 : OUTER	
457	S32798001	1	ワクシメカラ	COLLAR	
458	S32799001	1	ワクシメナツトM4	NUT, M4	
459	S33802001	1	ワクシメネジM4	SCREW, M4	
460	S36043000	1	ワクヨウバネ	SPRING, COMPRESSION 5.3X47.7	
461	S44734001	1	ヒラワクカナグCR	HOLDER BASE CLAMP, CR	
462	S44733001	1	ヒラワクカナグCL	HOLDER BASE CLAMP, CL	
463	062401216	4	ナベコ4X12	SCREW, PAN M4X12	
464	021400206	4	2シユナツト4	NUT, 2 M4	
			<縫製エリア415X210mm>	<Sewing area "415X210">	
465	S44721001	1	ヒラワク23X43クミ	SQUARE FRAME SET, 23X43	
466	S44719001	1	カクワク23X43クミ	SQUARE FRAME ASSY, 23X43	
467	S44718001	1	カクワク23X43ソト	SQUARE FRAME, 23X43 : OUTER	
468	S32798001	1	ワクシメカラ	COLLAR	
469	S32799001	1	ワクシメナツトM4	NUT, M4	
470	S33802001	1	ワクシメネジM4	SCREW, M4	
471	S36043000	1	ワクヨウバネ	SPRING, COMPRESSION 5.3X47.7	
472	S43471001	1	ヒラワクカナグBL	HOLDER, BL	
473	S43472001	1	ヒラワクカナグBR	HOLDER, BR	
474	062401216	4	ナベコ4X12	SCREW, PAN M4X12	
475	021400206	4	2シユナツト4	NUT, 2 M4	
			<縫製エリア270X285mm>	<Sewing area "270X285mm">	
476	S44726001	1	ヒラワク30X28クミ	SQUARE FRAME SET, 30X28	
477	S44724101	1	カクワク30X28クミ	SQUARE FRAME ASSY, 30X28	
478	S44723001	1	カクワク30X28ソト	SQUARE FRAME, 30X28 : OUTER	
479	S32798001	1	ワクシメカラ	COLLAR	
480	S32799001	1	ワクシメナツトM4	NUT, M4	
481	S33802001	1	ワクシメネジM4	SCREW, M4	
482	S36043000	1	ワクヨウバネ	SPRING, COMPRESSION 5.3X47.7	
483	S33805001	1	ヒラワクカナグAR	HOLDER, AR	
484	S33806001	1	ヒラワクカナグAL	HOLDER, AL	
485	062401216	4	ナベコ4X12	SCREW, PAN M4X12	
486	021400206	4	2シユナツト4	NUT, 2 M4	

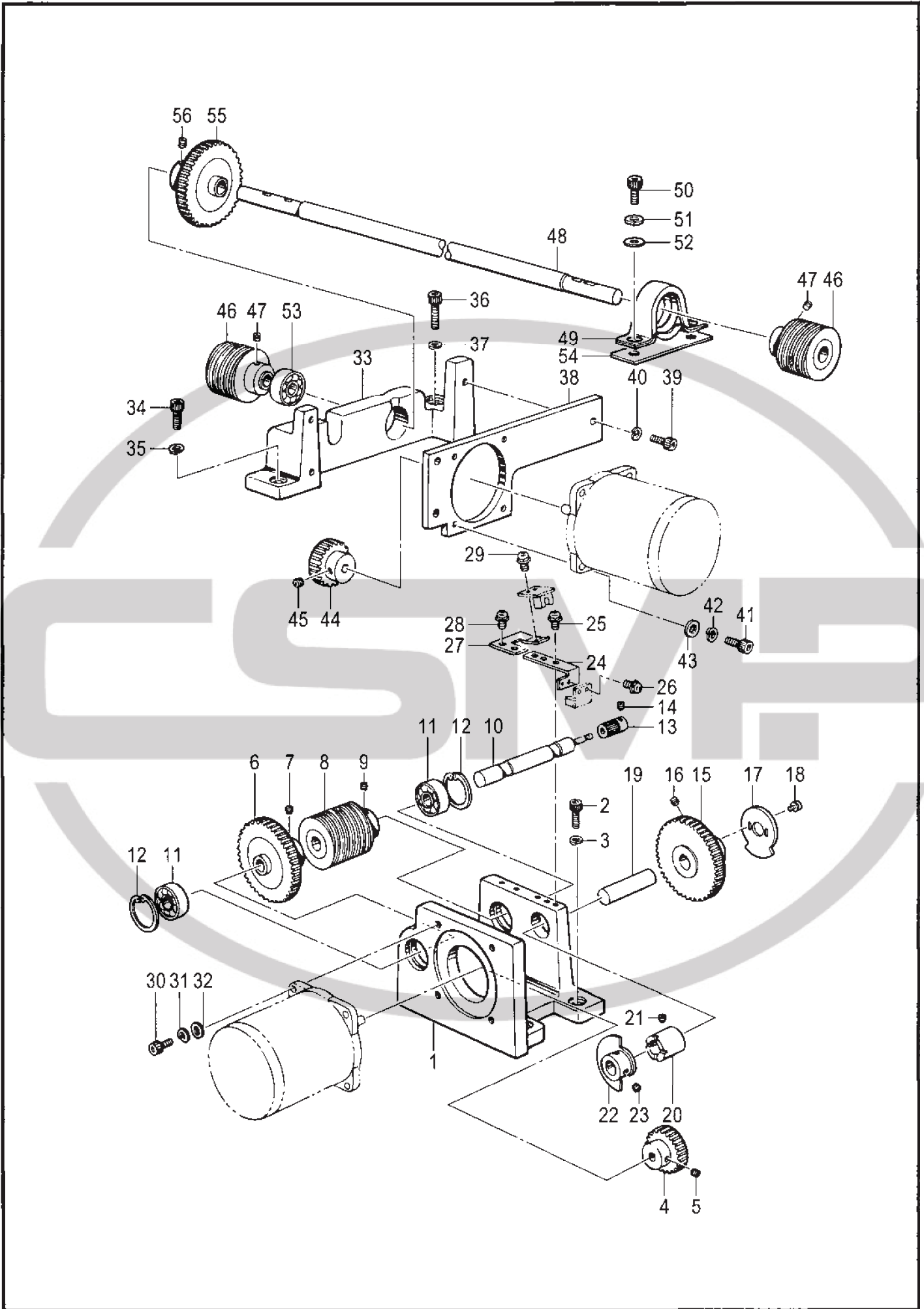
G . 押え上げ関係 / Presser foot lifter mechanism



BE-0901E/1201B-204

## G. 押え上げ関係 / Presser foot lifter mechanism

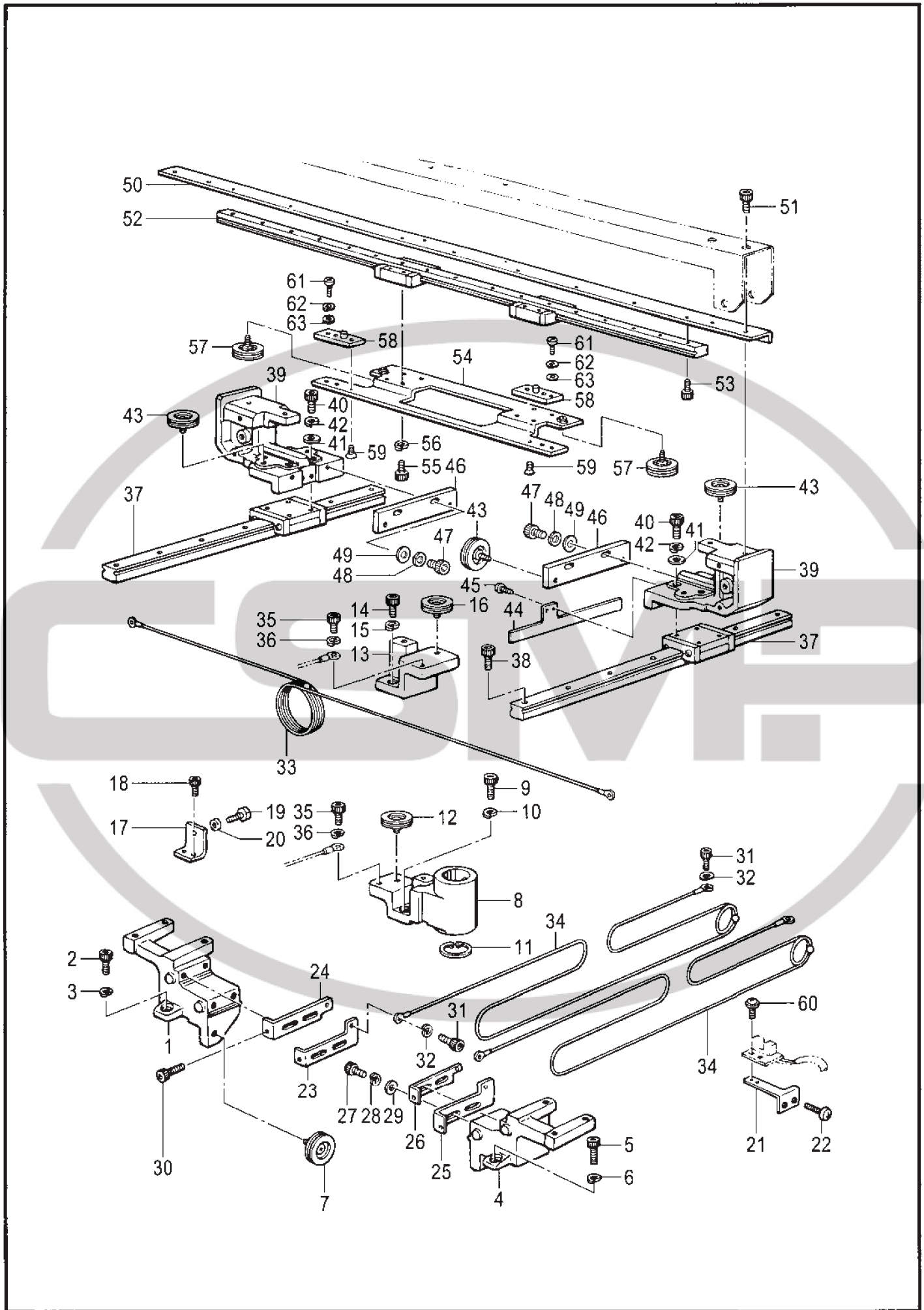
REF.NO	CODE	Q'TY	品名	NAME OF PARTS	RM
1	S32662101	1	オサエドウレバークミ	DRIVING LEVER ASSY	
2	014400636	1	アナクボミ4X6	SET SCREW, SOCKET (CP) M4X6	
3	S50024001	1	レバージク	LEVER SHAFT	
4	012500536	1	アナヒラ5X5	SET SCREW, SOCKET (FT) M5X5	
5	S32663001	1	オサエサドウリンク	LINK, OPERATING	
6	S44514101	1	オサエドウレバージク	PRESSER DRIVING LEVER SHAFT	
7	012060636	1	アナヒラ6X6	SET SCREW, SOCKET (FT) M6X6	
8	111865009	1	セン6	CAP, 6	
9	S50019001	1	コロ7.94	ROLLER, 7.94	
10	S32667001	1	オサエジク	P-FOOT SHAFT	
11	S32668001	1	オサエジクメタルU	BUSH, U :P-FOOT SHAFT	
12	S32669001	1	オサエジクメタルD	BUSH, D :P-FOOT SHAFT	
13	S32665001	1	オサエジクダキ	HOLDER, P-FOOT SHAFT	
14	062401016	1	ナベコ4X10	SCREW, PAN M4X10	
15	S32675001	1	オサエタイヒバネ	SPRING, RETRACTING	
16	081006070	1	OリングP6	O RING, P6	
17	S32664201	1	オサエサドウタイ	OPERATING BASE, P-FOOT	
18	S32672001	1	オサエアシA	PRESSER FOOT, A	
19	052400806	1	ナベコバネヒラ4X8	SCREW, PAN (S/P WASHER) M4X8	
20	S32676000	1	オサエクツシヨン	CUSHION, P-FOOT	
21	S32673001	1	オサエアンナイイタ	GUIDE PLATE, P-FOOT	
22	060501016	3	バインド5X10	SCREW, BIND M5X10	
23	S32678001	1	オサエタイヒレバー	RETRACTING LEVER	
24	S32677001	1	タイヒレバージク	LEVER SHAFT, ;RET.	
25	028060243	1	バネザガネ2-6	WASHER, SPRING 2-6	
26	021060106	1	1シユナツト6	NUT, 1 M6	
27	S32680101	1	タイヒS0Lレバークミ	RETRACTING SOLENOID LEVER ASSY	
28	018501436	1	アナボルト5X14	BOLT, SOCKET M5X14	
29	S32683100	1	オサエタイヒソレノイド	RETRACTING SOLENOID	
30	S32682001	1	オサエS0Lトリツケイタ	SETTING PLATE, ;SOL.	
31	060501016	2	バインド5X10	SCREW, BIND M5X10	
32	028050246	2	バネザガネ2-5	WASHER, SPRING 2-5	
33	025050236	2	ヒラザガネチユウ5	WASHER, PLAIN M 5	
34	S33630009	1	ソレノイドカバー	SOLENOID COVER	
35	008400604	3	+トラスコ4X6	SCREW, TRUSS M4X6	
36	S33631001	1	オサエカバー	PRESSER COVER	
37	008400604	2	+トラスコ4X6	SCREW, TRUSS M4X6	
38	S15259001	1	コードブツシユチユウ	CORD BUSH	
39	S44515001	1	スラストザガネ11	WASHER, THRUST 11	
40	048110142	1	トメワジクヨウC11	RETAINING RING, EXTERNAL C11	



## H. 駆動側送り関係 / Drive, feed mechanism

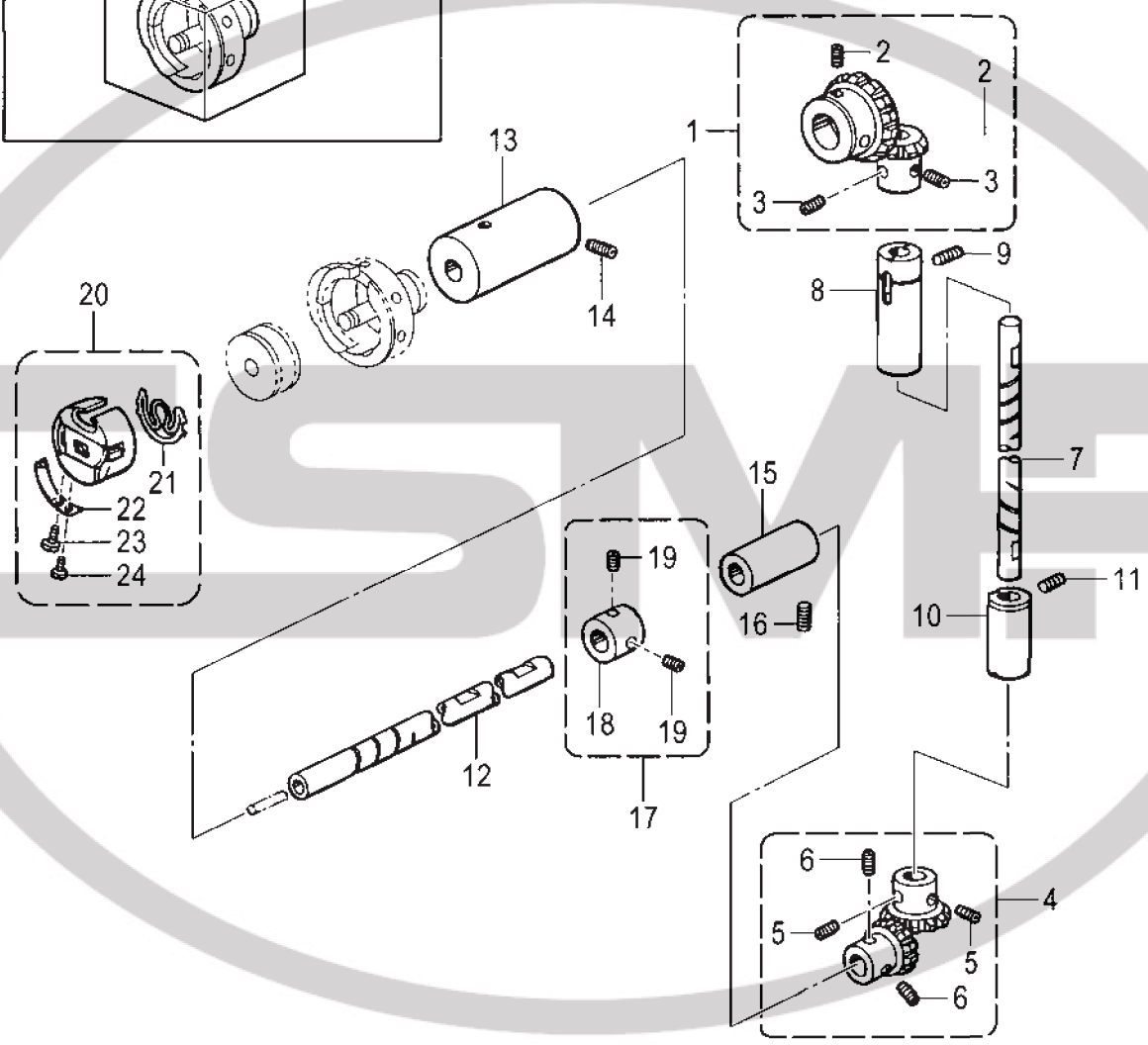
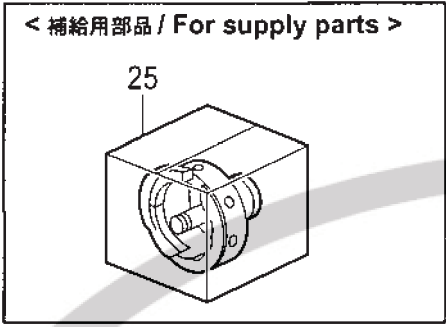
REF.NO	CODE	QTY	品名	NAME OF PARTS	RM
1	S15225101	1	Xクドウダイ	X-DRIVING BRACKET	
2	018062036	3	アナボルト6X20	BOLT, SOCKET M6X20	
3	028060246	3	バネザガネ2-6	WASHER, SPRING 2-6	
4	S15268000	1	ピニオンギアB	PINION GEAR, B	
5	012500536	2	アナヒラ5X5	SET SCREW, SOCKET (FT) M5X5	
6	S15232000	1	アイドルギヤA	IDLER GEAR, A	
7	012500536	2	アナヒラ5X5	SET SCREW, SOCKET (FT) M5X5	
8	S15233000	1	ワイヤードラムX	WIRE DRUM, X	
9	012500536	2	アナヒラ5X5	SET SCREW, SOCKET (FT) M5X5	
10	S15234000	1	Xクドウジク	X-DRIVING SHAFT	
11	076002800	2	Rタマジクウケ6002ZZ	BALL BEARING, RADIAL 6002ZZ	
12	048320242	2	トメワアナヨウC32	RETAINING RING, INTERNAL C32	
13	S15267000	1	ピニオンギアA	PINION GEAR, A	
14	012300536	2	アナヒラ3X5	SET SCREW, SOCKET (FT) M3X5	
15	S15239000	1	アイドルギヤB	IDLER GEAR, B	
16	012500536	2	アナヒラ5X5	SET SCREW, SOCKET (FT) M5X5	
17	S39488001	1	XリミットドグWCAP	X-LIMIT DOG, W	
18	0A4300605	2	+ナベザクミ3X6DA	SCREW, PAN (S/P WASHER) M3X6	
19	S15240101	1	センサージク	SENSOR SHAFT	
20	S15235001	1	ヘンシンメタル	BUSH, ;ECCENTRIC	
21	012400636	1	アナヒラ4X6	SET SCREW, SOCKET (FT) M4X6	
22	S15236001	1	Xゲンテンドグ	X-AXIS HOME POSITION DOG	
23	012500536	2	アナヒラ5X5	SET SCREW, SOCKET (FT) M5X5	
24	S15237001	1	Xゲンテンブラケット	X-AXIS HOME POSITION BRACKET	
25	0A5400806	2	+ナベザクミ4X8DB	SCREW, PAN (S/P WASHER) M4X8	
26	0A4300605	2	+ナベザクミ3X6DA	SCREW, PAN (S/P WASHER) M3X6	
27	S15241001	1	Xリミットブラケット	X-LIMIT BRACKET	
28	0A5400806	2	+ナベザクミ4X8DB	SCREW, PAN (S/P WASHER) M4X8	
29	0A4300605	2	+ナベザクミ3X6DA	SCREW, PAN (S/P WASHER) M3X6	
30	018501436	4	アナボルト5X14	BOLT, SOCKET M5X14	
31	028050246	4	バネザガネ2-5	WASHER, SPRING 2-5	
32	025050236	4	ヒラザガネチユウ5	WASHER, PLAIN M 5	
33	S15229001	1	Yクドウダイ	Y-DRIVING BRACKET	
34	018062036	1	アナボルト6X20	BOLT, SOCKET M6X20	
35	028060246	1	バネザガネ2-6	WASHER, SPRING 2-6	
36	018063036	1	アナボルト6X30	BOLT, SOCKET M6X30	
37	028060246	1	バネザガネ2-6	WASHER, SPRING 2-6	
38	S15230001	1	Yモータブラケット	Y-MOTOR BRACKET	
39	018061636	3	アナボルト6X16	BOLT, SOCKET M6X16	
40	028060246	3	バネザガネ2-6	WASHER, SPRING 2-6	
41	018501436	4	アナボルト5X14	BOLT, SOCKET M5X14	
42	028050246	4	バネザガネ2-5	WASHER, SPRING 2-5	
43	025050236	4	ヒラザガネチユウ5	WASHER, PLAIN M 5	
44	S15268000	1	ピニオンギアB	PINION GEAR, B	
45	012500536	2	アナヒラ5X5	SET SCREW, SOCKET (FT) M5X5	
46	S15242000	2	ワイヤードラムY	WIRE DRUM, Y	
47	012500536	4	アナヒラ5X5	SET SCREW, SOCKET (FT) M5X5	
48	S31959051	1	Yクドウジク	Y-DRIVING SHAFT	
49	S06740101	1	ベアリングASPP202	BALL BEARING, ASPP202	
50	018081636	2	アナボルト8X16	BOLT, SOCKET M8X16	
51	028080246	2	バネザガネ2-8	WASHER, SPRING 2-8	
52	025080236	2	ヒラザガネチユウ8	WASHER, PLAIN M 8	
53	076002800	1	Rタマジクウケ6002ZZ	BALL BEARING, RADIAL 6002ZZ	
54	S31958001	1	ベアリングシタカンザ	SPACER	
55	S15232000	1	アイドルギヤA	IDLER GEAR, A	
56	012500536	2	アナヒラ5X5	SET SCREW, SOCKET (FT) M5X5	

J. 送り案内関係 / Feed guide mechanism



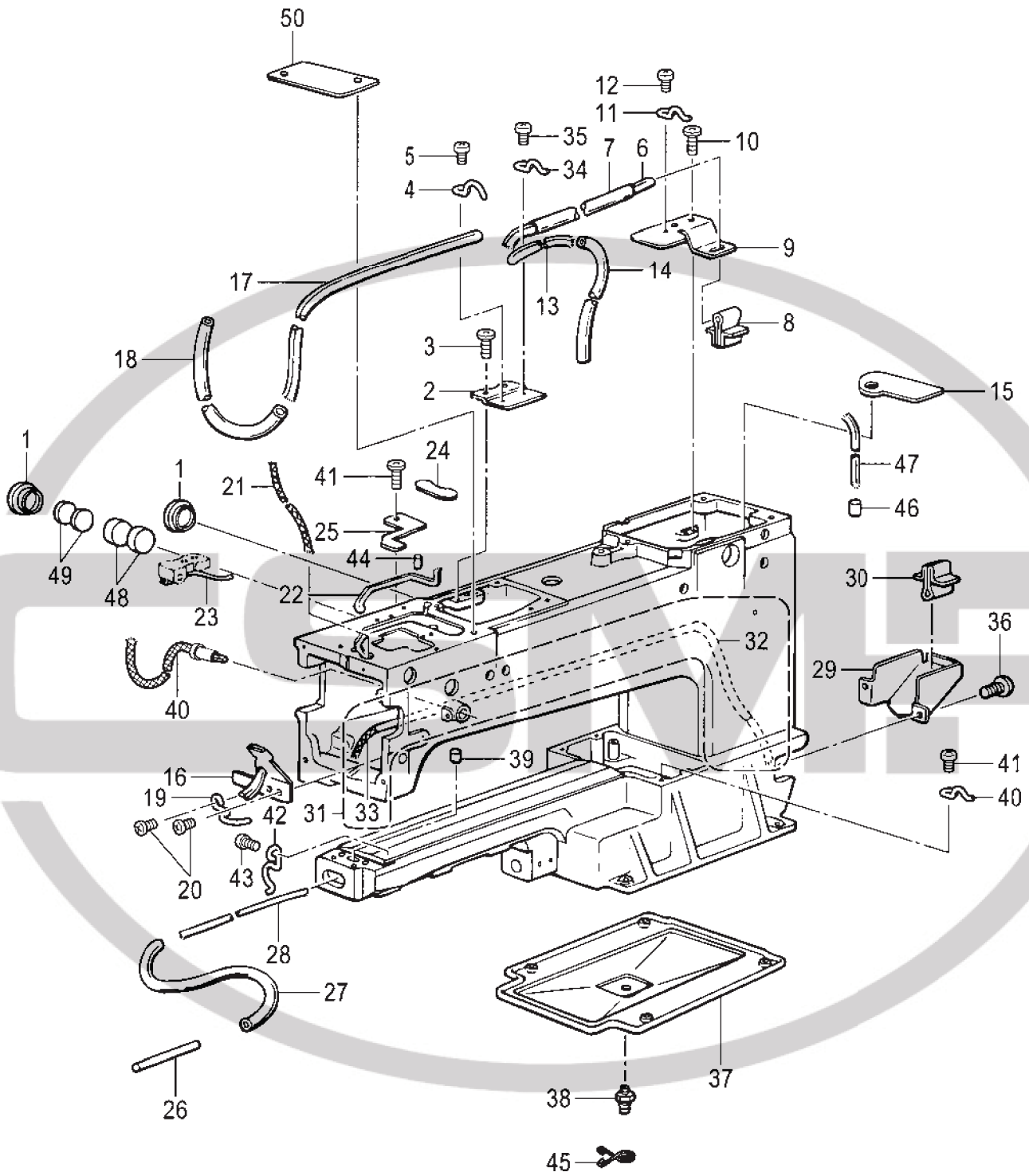
## J. 送り案内関係 / Feed guide mechanism

REF.NO	CODE	Q'TY	品名	NAME OF PARTS	RM
1	S36432001	1	スタンドFL	STAND, FL	
2	018062036	2	アナボルト6X20	BOLT, SOCKET M6X20	
3	028060246	2	バネザガネ2-6	WASHER, SPRING 2-6	
4	S36431001	1	スタンドFR	STAND, FR	
5	018062036	2	アナボルト6X20	BOLT, SOCKET M6X20	
6	028060246	2	バネザガネ2-6	WASHER, SPRING 2-6	
7	S21085000	2	ワイヤプーリ	WIRE PULLEY	
8	S21033009	1	スタンドRR	STAND, RR	
9	018062036	2	アナボルト6X20	BOLT, SOCKET M6X20	
10	028060246	2	バネザガネ2-6	WASHER, SPRING 2-6	
11	048320242	1	トメワアナヨウC32	RETAINING RING, INTERNAL C32	
12	S21085000	1	ワイヤプーリ	WIRE PULLEY	
13	S21034052	1	スタンドRL	STAND, RL	
14	018062036	2	アナボルト6X20	BOLT, SOCKET M6X20	
15	028060246	2	バネザガネ2-6	WASHER, SPRING 2-6	
16	S21085000	1	ワイヤプーリ	WIRE PULLEY	
17	S36425001	4	ストツパー	STOPPER	
18	018401036	8	アナボルト4X10	BOLT, SOCKET M4X10	
19	017501606	4	ボルト5X16	BOLT, M5X16	
20	021500103	4	1シユナツト5	NUT, 1 M5	
21	S36426001	1	センサブラケット	SENSOR BRACKET	
22	060400616	2	バインド4X6	SCREW, BIND M4X6	
23	S36427001	1	フックLX	HOOK, LX	
24	S36428001	1	フックLY	HOOK, LY	
25	S36429001	1	フックRX	HOOK, RX	
26	S36430001	1	フックRY	HOOK, RY	
27	018501436	8	アナボルト5X14	BOLT, SOCKET M5X14	
28	028050246	8	バネザガネ2-5	WASHER, SPRING 2-5	
29	025050236	8	ヒラザガネチユウ5	WASHER, PLAIN M 5	
30	S36491001	4	アナボルト5X25	BOLT, SOCKET M5X25	
31	018400836	4	アナボルト4X8	BOLT, SOCKET M4X8	
32	028040246	4	バネザガネ2-4	WASHER, SPRING 2-4	
33	S15248000	1	Xワイヤー	X-WIRE	
34	S15247000	2	Yワイヤー-R	Y-WIRE, R	
35	018400836	2	アナボルト4X8	BOLT, SOCKET M4X8	
36	028040246	2	バネザガネ2-4	WASHER, SPRING 2-4	
37	S15257000	2	リニアガイドY	LINEAR GUIDE, Y	
38	018401636	14	アナボルト4X16	BOLT, SOCKET M4X16	
39	S21037009	2	Yキヤリツジ	Y-CARRIAGE	
40	018401236	8	アナボルト4X12	BOLT, SOCKET M4X12	
41	025040136	8	ヒラザガネシヨウ4	WASHER, PLAIN S 4	
42	028040246	8	バネザガネ2-4	WASHER, SPRING 2-4	
43	S21085000	12	ワイヤプーリ	WIRE PULLEY	
44	S36423001	1	Yゲンテンドグ	Y-AXIS HOME POSITION DOG	
45	062400616	2	ナベコ4X6	SCREW, PAN M4X6	
46	S15231000	2	プーリープレート	PULLEY PLATE	
47	018501636	4	アナボルト5X16	BOLT, SOCKET M5X16	
48	028050246	4	バネザガネ2-5	WASHER, SPRING 2-5	
49	025050236	4	ヒラザガネチユウ5	WASHER, PLAIN M 5	
50	S21038101	1	ガイドサポート	GUIDE SUPPORT	
51	018501036	6	アナボルト5X10	BOLT, SOCKET M5X10	
52	S15256000	1	リニアガイドX	LINEAR GUIDE, X	
53	018300836	9	アナボルト3X8	BOLT, SOCKET M3X8	
54	S15251001	1	Xキヤリツジ	X-CARRIAGE	
55	018300836	8	アナボルト3X8	BOLT, SOCKET M3X8	
56	028030246	8	バネザガネ2-3	WASHER, SPRING 2-3	
57	S21085000	2	ワイヤプーリ	WIRE PULLEY	
58	S15252001	2	フレームザイタクミ	FRAME PLATE ASSY	
59	S17052001	4	+サラネジ5X6	SCREW, FLAT M5X6	
60	0A4300605	2	+ナベザクミ3X6DA	SCREW, PAN (S/P WASHER) M3X6	
61	062501016	2	ナベコ5X10	SCREW, PAN M5X10	
62	028050246	2	バネザガネ2-5	WASHER, SPRING 2-5	
63	025050236	2	ヒラザガネチユウ5	WASHER, PLAIN M 5	



## K. 下軸関係 / Lower shaft mechanism

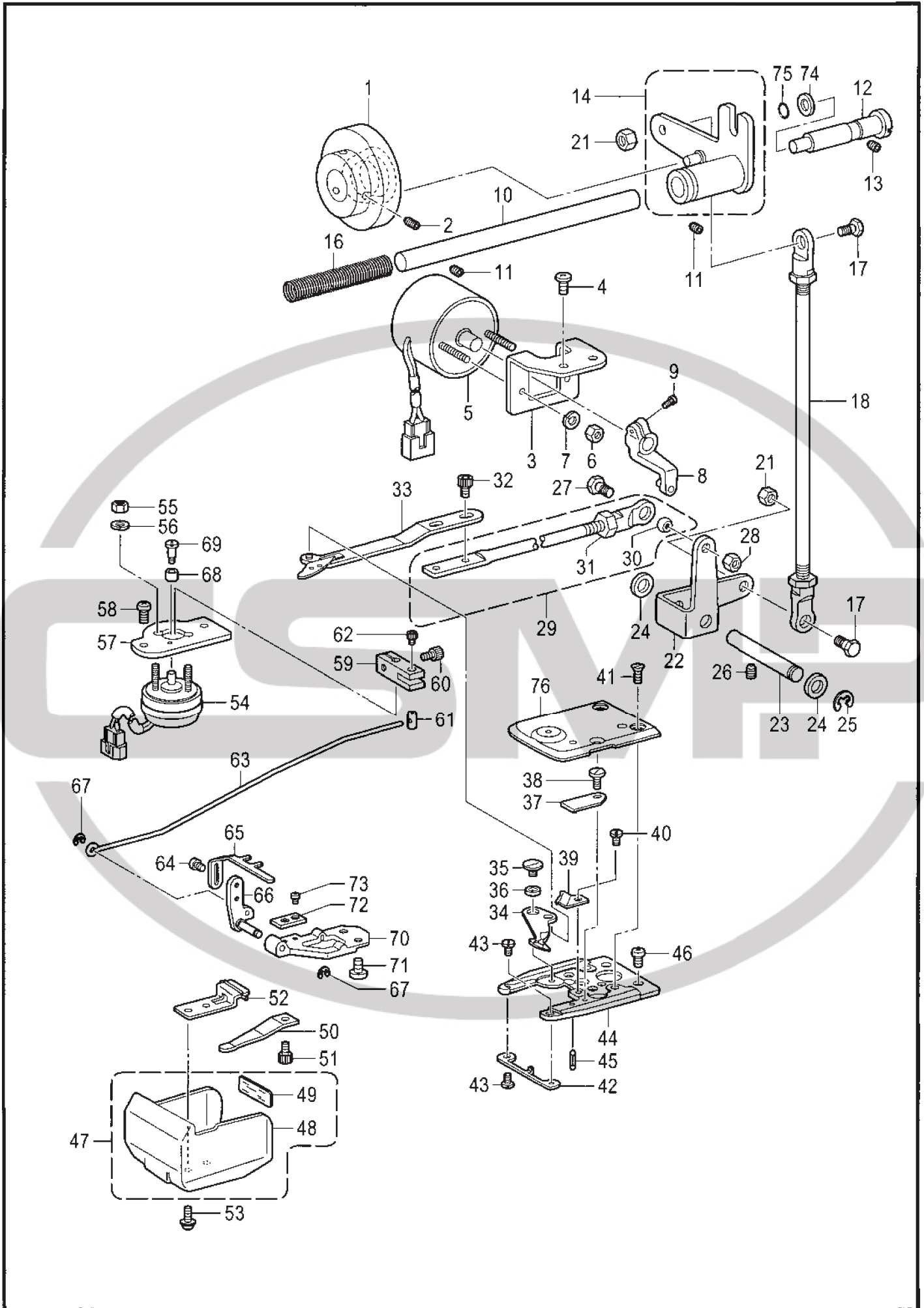
REF.NO	CODE	QTY	品名	NAME OF PARTS	RM
1	S32544001	1	ベベルギヤUクミ	BEVEL GEAR ASSY, U	
2	S23651001	2	アナヒラ6X6ホソメ	SET SCREW, SOCKET (FT) M6X6	
3	S23651001	2	アナヒラ6X6ホソメ	SET SCREW, SOCKET (FT) M6X6	
4	S32547001	1	ベベルギヤDクミ	BEVEL GEAR ASSY, D	
5	S23651001	2	アナヒラ6X6ホソメ	SET SCREW, SOCKET (FT) M6X6	
6	S23651001	2	アナヒラ6X6ホソメ	SET SCREW, SOCKET (FT) M6X6	
7	S32538101	1	タテジク	VERTICAL SHAFT	
8	142708000	1	タテジクメタルU	VERTICAL SHAFT BUSH, U	
9	012060636	1	アナヒラ6X6	SET SCREW, SOCKET (FT) M6X6	
10	142709000	1	タテジクメタルD	VERTICAL SHAFT BUSH, D	
11	012060636	1	アナヒラ6X6	SET SCREW, SOCKET (FT) M6X6	
12	S32539101	1	シタジク	LOWER SHAFT	
13	S32540000	1	シタジクメタルL	LOWER SHAFT BUSH, L	
14	012060636	1	アナヒラ6X6	SET SCREW, SOCKET (FT) M6X6	
15	104520000	1	シタジクメタルR	LOWER SHAFT BUSH, R	
16	012060636	1	アナヒラ6X6	SET SCREW, SOCKET (FT) M6X6	
17	S32550001	1	セットカラークミ	SET SCREW COLLAR ASSY	
18	S32551001	1	セットカラークミ	SET SCREW COLLAR ASSY	
19	S23651001	2	アナヒラ6X6ホソメ	SET SCREW, SOCKET (FT) M6X6	
20	S35584001	1	ボビンケースクミ	BOBBIN CASE ASSY	
21	S35583001	1	クウテンボウシバネ	ANTI-SPIN SPRING	
22	181936001	1	ボビンケースチヨウシバネ	TENSION SPRING	
23	181937001	1	チヨウシバネチヨウセツネジ	ADJUSTING SCREW	
24	181938001	1	チヨウシバネトメネジ	SET SCREW	
25	SA1646001	1	<補給用> S35595カマハコクミ	<For Supply parts> ROTARY HOOK ASSY, W/BOX S35595	



## L. 給油潤滑関係 / Lubrication

REF.NO	CODE	QTY	品名	NAME OF PARTS	RM
1	152948001	2	オイルポットマド	OIL GAUGE WINDOW	
2	S32555001	1	キユウユササエA	OIL SUPPORT, A	
3	060501016	2	バインド5X10	SCREW, BIND M5X10	
4	152969001	1	コードササエカネ	CORD HOLDER	
5	062300616	1	ナベコ3X6	SCREW, PAN M3X6	
6	S32552000	1	クミヒモ6X6(750)	WICK, 6X6 L=750	
7	S32553000	1	ビニルチューブ(300)	OIL TUBE, L=300	
8	S32554000	1	ギアキユウユフェルト	FELT	
9	S32556001	1	キユウユササエB	OIL SUPPORT, B	
10	060501016	2	バインド5X10	SCREW, BIND M5X10	
11	117150001	1	コードササエカネ	CORD HOLDER	
12	062300616	1	ナベコ3X6	SCREW, PAN M3X6	
13	S32557000	1	クミヒモ4X4(330)	WICK, 4X4 L=330	
14	S32558000	1	ビニルチューブ(85)	OIL TUBE, L=85	
15	S32559000	1	キユウユフェルトA	FELT, A	
16	S32561101	1	キユウユササエCクミ	SUPPOTER ASSY, C	
17	S32564000	1	ヒラクミヒモ(500)	WICK, FLAT L=500	
18	S32565000	1	ビニルチューブ(230)	OIL TUBE, L=230	
19	152969001	1	コードササエカネ	CORD HOLDER	
20	062300616	2	ナベコ3X6	SCREW, PAN M3X6	
21	S36482000	1	クミヒモ	WICK	
22	S32557000	2	クミヒモ4X4(330)	WICK, 4X4 L=330	
23	S32570000	1	クミヒモ4X4(120)	WICK, 4X4 L=120	
24	S32571000	1	キユウユフェルトB	OIL FELT, B	
25	S36494001	1	オイルカバーAA	OIL COVER, LL	
26	S32603000	1	メタルフェルトL	FELT, L	
27	S32604000	1	ビニルチューブ(400)	OIL TUBE, L=400	
28	S32605000	1	クミヒモ4X4(520)	WICK, 4X4 L=520	
29	S32606001	1	ギヤカバー	GEAR COVER	
30	S32554000	1	ギアキユウユフェルト	FELT	
31	S40899000	1	ハイユヒモクミ	OIL WICK ASSY	
32	S21677000	1	ビニルチューブ	OIL TUBE	
33	S36481000	1	クミヒモ4X4(680)	WICK, 4X4 L=680	
34	117150001	2	コードササエカネ	CORD HOLDER	
35	062300616	2	ナベコ3X6	SCREW, PAN M3X6	
36	062400816	2	ナベコ4X8	SCREW, PAN M4X8	
37	S36477001	1	オイルパン	OIL PAN	
38	S38735001	1	オイルクチ	OIL FEEDING PIPE	
39	107155001	1	フェルト	FELT	
40	S34012000	1	クミヒモ4X4(240)	WICK, 4X4 L=240	
41	060501016	1	バインド5X10	SCREW, BIND M5X10	
42	117150001	1	コードササエカネ	CORD HOLDER	
43	062300616	1	ナベコ3X6	SCREW, PAN M3X6	
44	152883000	1	フェルト8X15.5	FELT, 8X15.5	
45	S07876101	1	チューブストツパー	TUBE CLIP	
46	S29700000	1	ウワルーパーナイフフェルト	FELT	
47	117006001	1	クミヒモ	WICK, L=60	
48	S36479000	2	フェルト28X15	FELT, 28X15	
49	S36480000	2	フェルト23X4	FELT, 23X4	
50	S34325001	1	オイルカバーB	OIL COVER, B	

M. 糸切り関係 / Thread trimmer mechanism

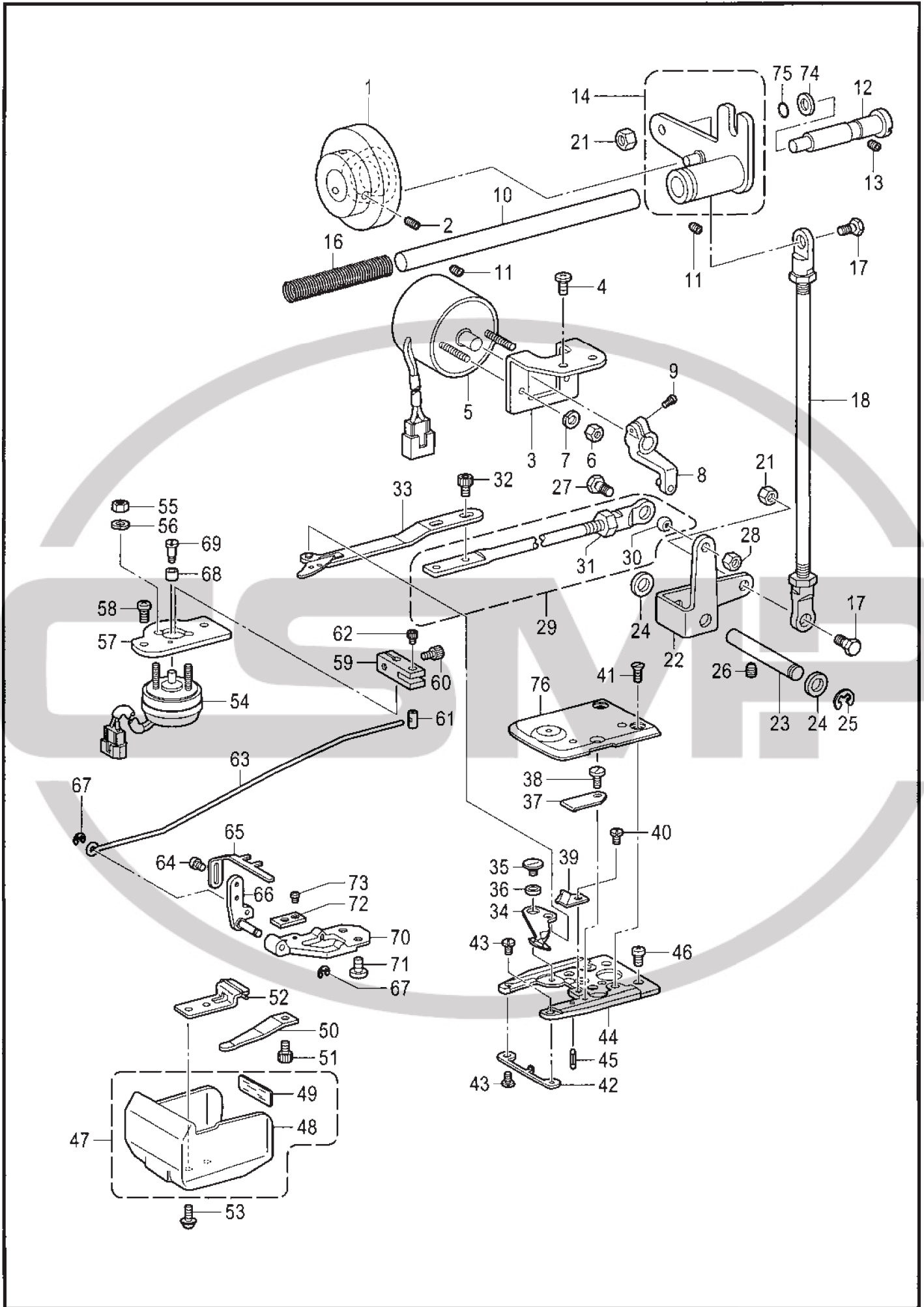


BE-0901E/1201B-403

## M. 糸切り関係 / Thread trimmer mechanism

REF.NO	CODE	Q'TY	品名	NAME OF PARTS	RM
1	S32451001	1	イトキリカム	THREAD TRIMMER CAM	
2	S23651001	3	アナヒラ6X6ホソメ	SET SCREW, SOCKET (FT) M6X6	
3	S32452001	1	ソレノイドトリツケイタ	SOLENOID SETTING PLATE	
4	060501016	2	バインド5X10	SCREW, BIND M5X10	
5	S32453100	1	イトキリソレノイド	THREAD TRIMMER SOLENOID	
6	021400106	2	1シユナツト4	NUT, 1 M4	
7	028040246	2	バネザガネ2-4	WASHER, SPRING 2-4	
8	S32454001	1	ソレノイドレバークミ	SOLENOID LEVER ASSY	
9	062351016	1	ナベコ35X10	SCREW, PAN M3.5X10	
10	S32456001	1	クドウレバーアンナイジク	GUIDE SHAFT, ;D-LEVER	
11	012060636	2	アナヒラ6X6	SET SCREW, SOCKET (FT) M6X6	
12	S32486001	1	イチギメジク	POSITIONING SHAFT	
13	012060636	1	アナヒラ6X6	SET SCREW, SOCKET (FT) M6X6	
14	S32457001	1	イトキリクドウレバークミ	DRIVING LEVER ASSY, TR	
16	S32461001	1	クドウレバーモドシバネ	SPRING, COMPRESSION	
17	S32462001	2	タマツギテダンネジB	SHOULDER SCREW, B ;M6	
18	S32463001	1	イトキリロツドVクミ	THREAD TRIMMER ROD ASSY, V	
21	021060106	2	1シユナツト6	NUT, 1 M6	
22	S32467001	1	イトキリレバー	THREAD TRIMMER LEVER	
23	S32468001	1	イトキリレバークミ	LEVER SHAFT, TR	
24	110367001	2	ザガネ	WASHER, PLAIN SPECIAL 8	
25	048060342	1	トメワE6	RETAINING RING, E6	
26	012060636	1	アナヒラ6X6	SET SCREW, SOCKET (FT) M6X6	
27	S32462001	1	タマツギテダンネジB	SHOULDER SCREW, B ;M6	
28	021060106	1	1シユナツト6	NUT, 1 M6	
29	S32469001	1	イトキリロツドHクミ	THREAD TRIMMER ROD ASSY, H	
30	141331001	1	キュウメンブシユ	BUSH	
31	021060106	1	1シユナツト6	NUT, 1 M6	
32	018400836	2	アナボルト4X8	BOLT, SOCKET M4X8	
33	S32471201	1	イトキリレンカンクミ	CONNECTING ROD ASSY, TR	
34	S32474001	1	イドウハ	MOVABLE KNIFE	
35	S32475001	1	シメネジ4	SCREW, M4	
36	S32476001	1	イドウハカラー	COLLAR, M-KNIFE	
37	S32477001	1	コァイハ	FIXED KNIFE	
38	S50674101	1	ハリイタガイドネジ	T-PLATE GUIDE SCREW, M3X5.5 SP	
39	S36135101	1	イトホジイタ	THREAD HOLDING PLATE	
40	S44924001	1	シメネジM3X5.5	SCREW, M3X5.5	
41	S25310101	2	サラネジ4	SCREW, FLAT M4	
42	S42456051	1	カマドメ	ROTARY HOOK STOPPER	
43	S44924001	2	シメネジM3X5.5	SCREW, M3X5.5	
44	S42461251	1	ハリイタダイ	NEEDLE PLATE BASE	
45	047200542	1	スプリングピンAW2	PIN, SPRING ROLL AW2	
46	062400816	4	ナベコ4X8	SCREW, PAN M4X8	
47	S47229100	1	カマカバークミ	ROTARY HOOK COVER ASSY	
48	S44518100	1	カマカバー	ROTARY HOOK COVER	
49	SA0171000	1	カマカバーフェルト	FELT	
50	S32488001	1	カバーオサエバネ	COVER HOLDER SPRING	
51	018400836	1	アナボルト4X8	BOLT, SOCKET M4X8	
52	S44519001	1	カバーササエ	COVER SUPPORT	
53	U08671003	2	ナベセムス3X5DB	SCREW, PAN (S/P WASHER) M3X5	
54	S32490000	1	ピツカーソレノイド	PICKER SOLENOID	
55	021300106	2	1シユナツト3	NUT, 1 M3	
56	028030245	2	バネザガネ2-3	WASHER, SPRING 2-3	
57	S32491001	1	PKソレノイドイタ	PICKER SOLENOID PLATE	
58	062401016	2	ナベコ4X10	SCREW, PAN M4X10	
59	S32492001	1	ソレノイドアーム	SOLENOID ARM	
60	018400836	1	アナボルト4X8	BOLT, SOCKET M4X8	
61	S32493001	1	アームピン	ARM PIN	
62	018300536	1	アナボルト3X5	BOLT, SOCKET M3X5	
63	S32494001	1	レンケツセン	CONNECTING WIRE	
64	062300416	2	ナベコ3X4	SCREW, PAN M3X4	
65	S32495001	1	ピツカー	PICKER	

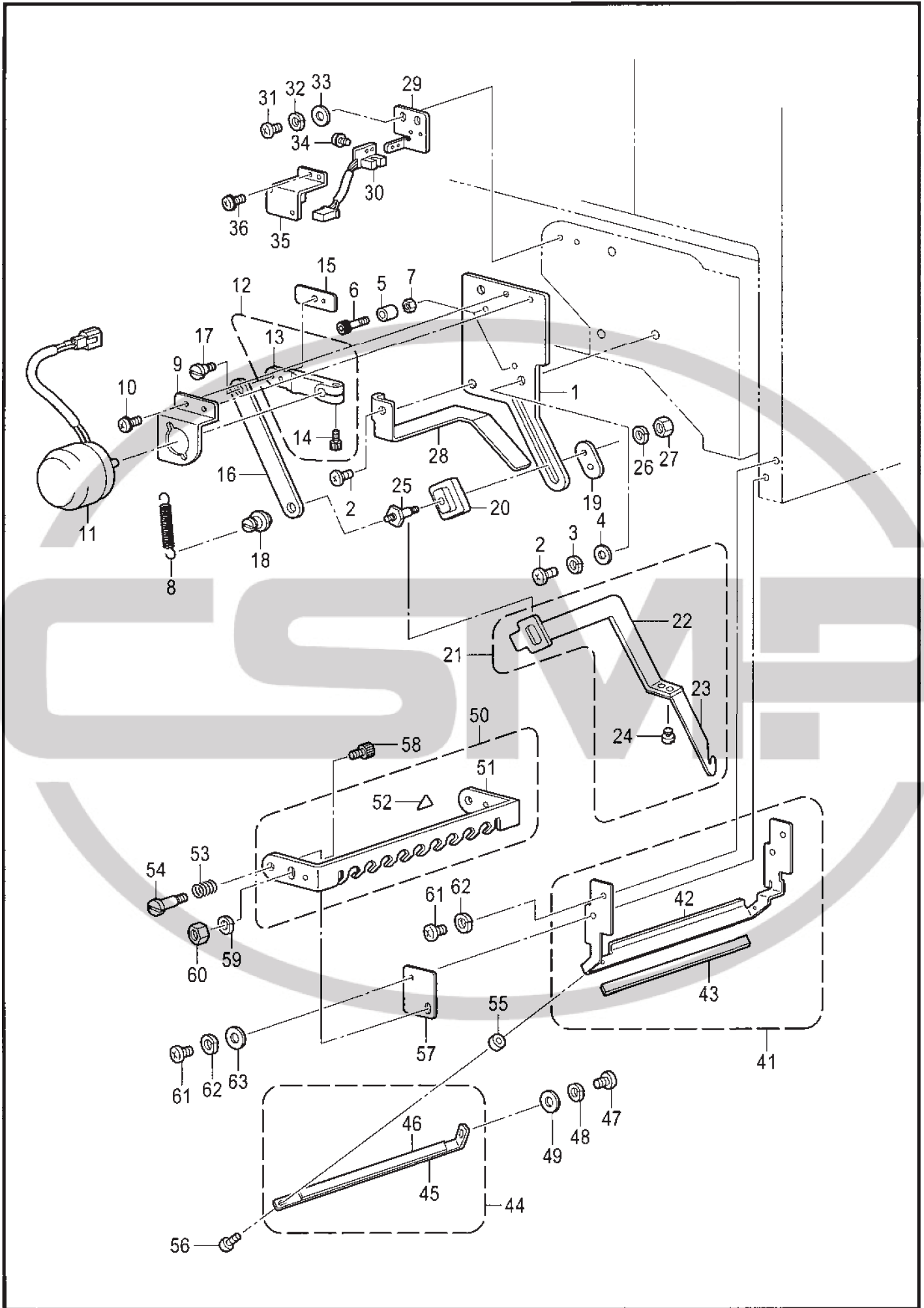
M. 糸切り関係 / Thread trimmer mechanism



## M. 糸切り関係 / Thread trimmer mechanism

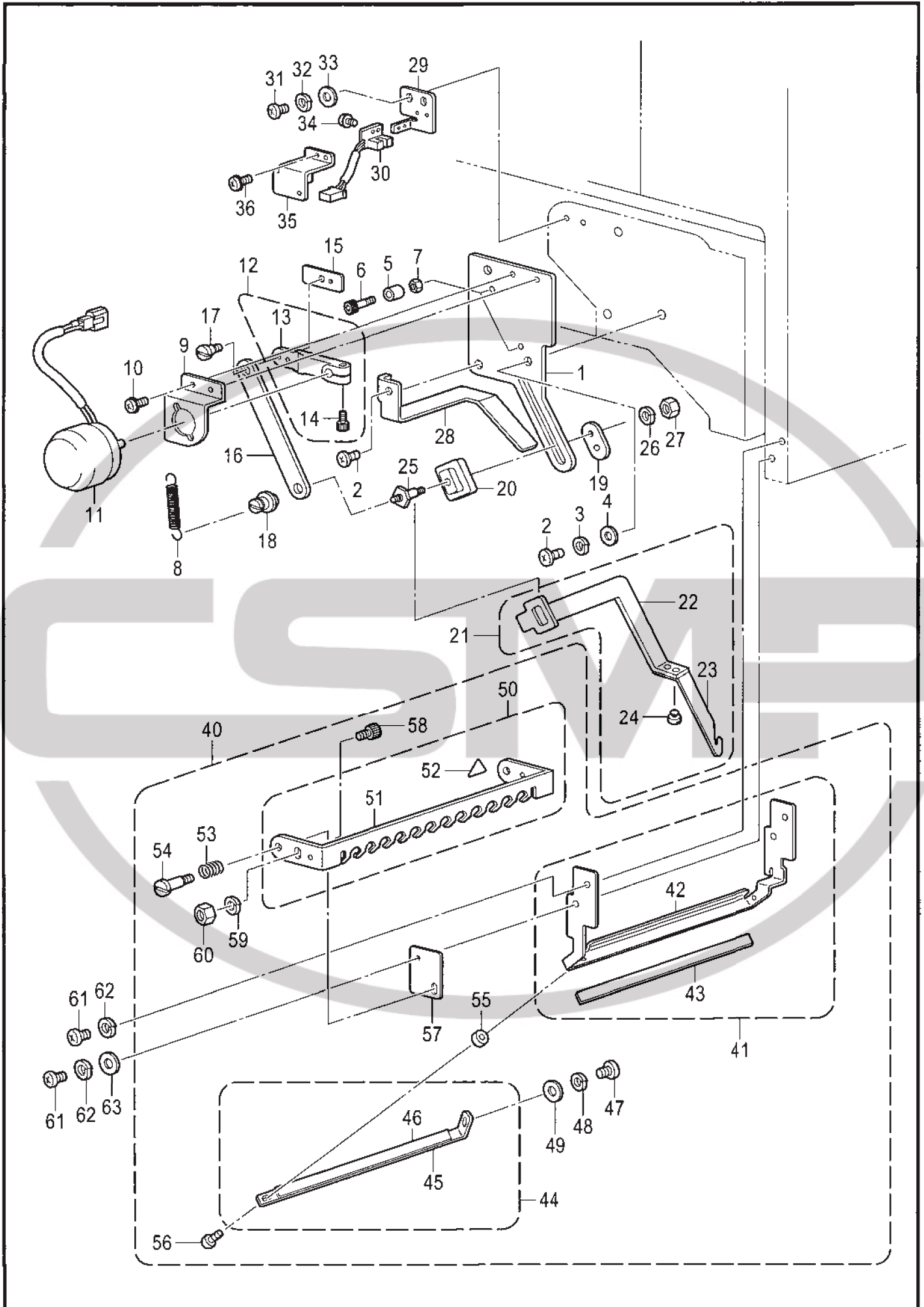
REF.NO	CODE	Q'TY	品名	NAME OF PARTS	RM
66	S32496001	1	ピツカーベース	PICKER BASE	
67	048020342	2	トメワE2	RETAINING RING, E2	
68	S32497001	1	クツシヨン	CUSHION	
69	S32498001	1	クツシヨンピン	SHOULDER SCREW, M3	
70	S32614001	1	PKブラケット	PICKER BRACKET	
71	060400816	2	バインド4X8	SCREW, BIND M4X8	
72	S32499001	1	ピツカーストツパ	PICKER STOPPER	
73	062300416	2	ナベコ3X4	SCREW, PAN M3X4	
74	025080132	1	ヒラザガネシヨウ8	WASHER, PLAIN S 8	
75	081007070	1	OリングP7	O RING, P7	
76	S51245001	1	シシユウヨウハリイタN	NEEDLE PLATE, N :EMBRO.	

N1 . 糸払い関係(BE-0901E-AC) / Thread wiper mechanism (BE-0901E-AC)



N1. 糸払い関係 (BE-0901E-AC) / Thread wiper mechanism (BE-0901E-AC)

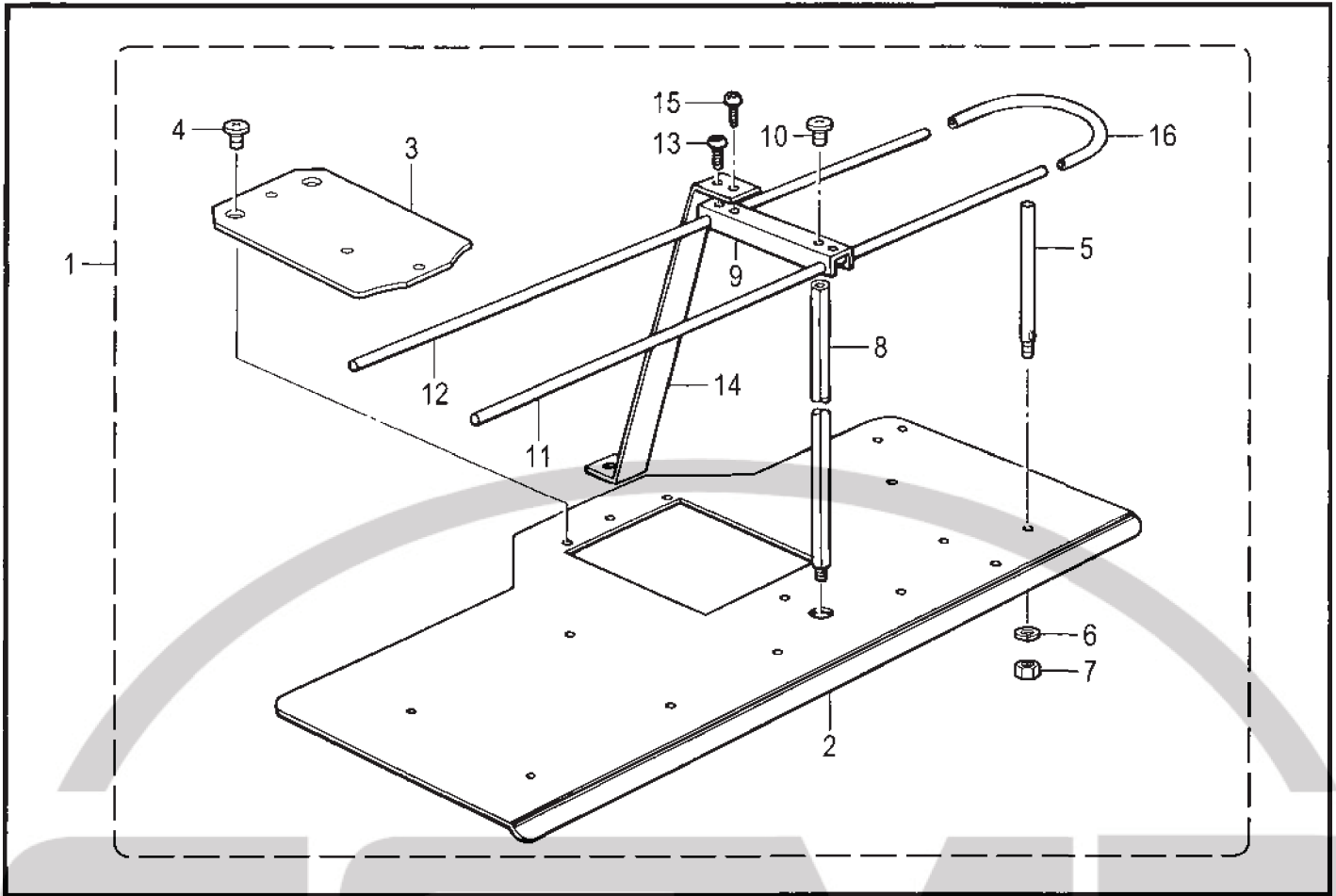
REF.NO	CODE	Q'TY	品名	NAME OF PARTS	RM
1	S32361201	1	イトカケソレノイドベース	SOLENOID BASE, ;T/GUIDE	
2	060501016	3	バインド5X10	SCREW BIND M5X10	
3	028050246	2	バネザガネ2-5	WASHER SPRING 2-5	
4	025050236	2	ヒラザガネチュウ5	WASHER PLAIN M 5	
5	S32362000	2	ア-ムクツシヨン	ARM CUSHION	
6	S52069001	2	クツシヨントリツケネジ	BOLT, SOCKET M4X14	
7	021400106	2	1シュナット4	NUT 1 M4	
8	S32365101	1	イトハライバネ	THREAD WIPER SPRING	
9	S32366001	1	イトカケソレノイドイタ	SOLENOID PLATE, ;T/GUIDE	
10	0A4300605	2	+ナベザクミ3X6DA	SCREW PAN (S/P WASHER) M3X6	
11	S32367000	1	ワイパーソレノイド	WIPER SOLENOID	
12	S47051101	1	ソレノイドア-ムクミ	SOLENOID ARM ASSY	
13	S47052101	1	ソレノイドア-ム	SOLENOID ARM	
14	018401036	1	アナボルト4X10	BOLT SOCKET M4X10	
15	S32386001	1	ソレノイドセンサーイタ	SOLENOID SENSOR PLATE	
16	S32369001	1	モクガネイタ	PLATE	
17	S25283001	1	ダンネジ4	SHOULDER SCREW, M4	
18	S32371101	1	ガイドメタル	GUIDE METAL	
19	S35711001	1	イチギメスペ-サB	POSITIONING SPACER, B	
20	S32373100	1	イチギメカラ-	COLLAR, ;POSITIONING	
21	S32374101	1	ウワイトカケフツククミ	GUIDE HOOK ASSY, ;U-THREAD	
22	S32387101	1	ウワイトカケフツクイタ	GUIDE HOOK PLATE, ;U-THREAD	
23	S32388100	1	ウワイトカケフツク	GUIDE HOOK, ;U-THREAD	
24	S32480001	2	シメネジ3X2.5	SCREW, M3X2.5	
25	S35710101	1	ダンネジ3	SHOULDER SCREW, M3	
26	028030243	1	バネザガネ2-3	WASHER, SPRING 2-3	
27	021300106	1	1シュナット3	NUT 1 M3	
28	S34452000	1	ワイパーオサエイタ	WIPER HOLDER PLATE	
29	S32384101	1	センサーイタ	SENSOR PLATE	
30	S36220001	1	センサキバンクミ	SENSOR PCB ASSY, CX	
31	062400816	2	ナベコ4X8	SCREW PAN M4X8	
32	028040246	2	バネザガネ2-4	WASHER SPRING 2-4	
33	026040236	2	ヒラザガネミガキ4	WASHER PLAIN M 4	
34	0A4300605	2	+ナベザクミ3X6DA	SCREW PAN (S/P WASHER) M3X6	
35	S32385101	1	センサーカバー	SENSOR COVER	
36	0A4300605	2	+ナベザクミ3X6DA	SCREW PAN (S/P WASHER) M3X6	
41	S32375201	1	イトオサエベースクミ	THREAD PRESSER BASE ASSY	
42	S32376201	1	イトオサエベース	THREAD PRESSER BASE	
43	S32377000	1	マジックテープ	MAGIC TAPE	
44	S32380101	1	イトオサエフタクミ	COVER ASSY, ;TR/PRESSER	
45	S32381101	1	イトオサエフタ	COVER, ;TR/PRESSER	
46	S32377000	1	マジックテープ	MAGIC TAPE	
47	062300616	1	ナベコ3X6	SCREW PAN M3X6	
48	028030243	1	バネザガネ2-3	WASHER, SPRING 2-3	
49	025030233	1	ヒラザガネチュウ3	WASHER, PLAIN M 3	
50	S44925001	1	フィンガーガードBクミ	FINGER GUARD ASSY, B	
51	S44926001	1	フィンガーガードB	FINGER GUARD, B	
52	S36924001	1	ワ-ニングマーク	INJURY MARK	
53	S32383001	2	フィンガーガードバネ	SPRING	
54	S32363001	2	スズトリツケネジ	SHOULDER SCREW, M3	
55	S36714001	1	ウエイトツカミスペ-サ	SPACER	
56	062301006	1	ナベコ3X10	SCREW PAN M3X10	
57	S43505001	2	フィンガーガードイタ	FINGER GUARD PLATE	
58	018300636	1	アナボルト3X6	BOLT SOCKET M3X6	
59	028030243	1	バネザガネ2-3	WASHER, SPRING 2-3	
60	021300106	1	1シュナット3	NUT 1 M3	
61	062400816	4	ナベコ4X8	SCREW PAN M4X8	
62	028040246	4	バネザガネ2-4	WASHER SPRING 2-4	
63	026040236	2	ヒラザガネミガキ4	WASHER PLAIN M 4	



N2. 糸払い関係 (BE-1201B-AC) / Thread wiper mechanism (BE-1201B-AC)

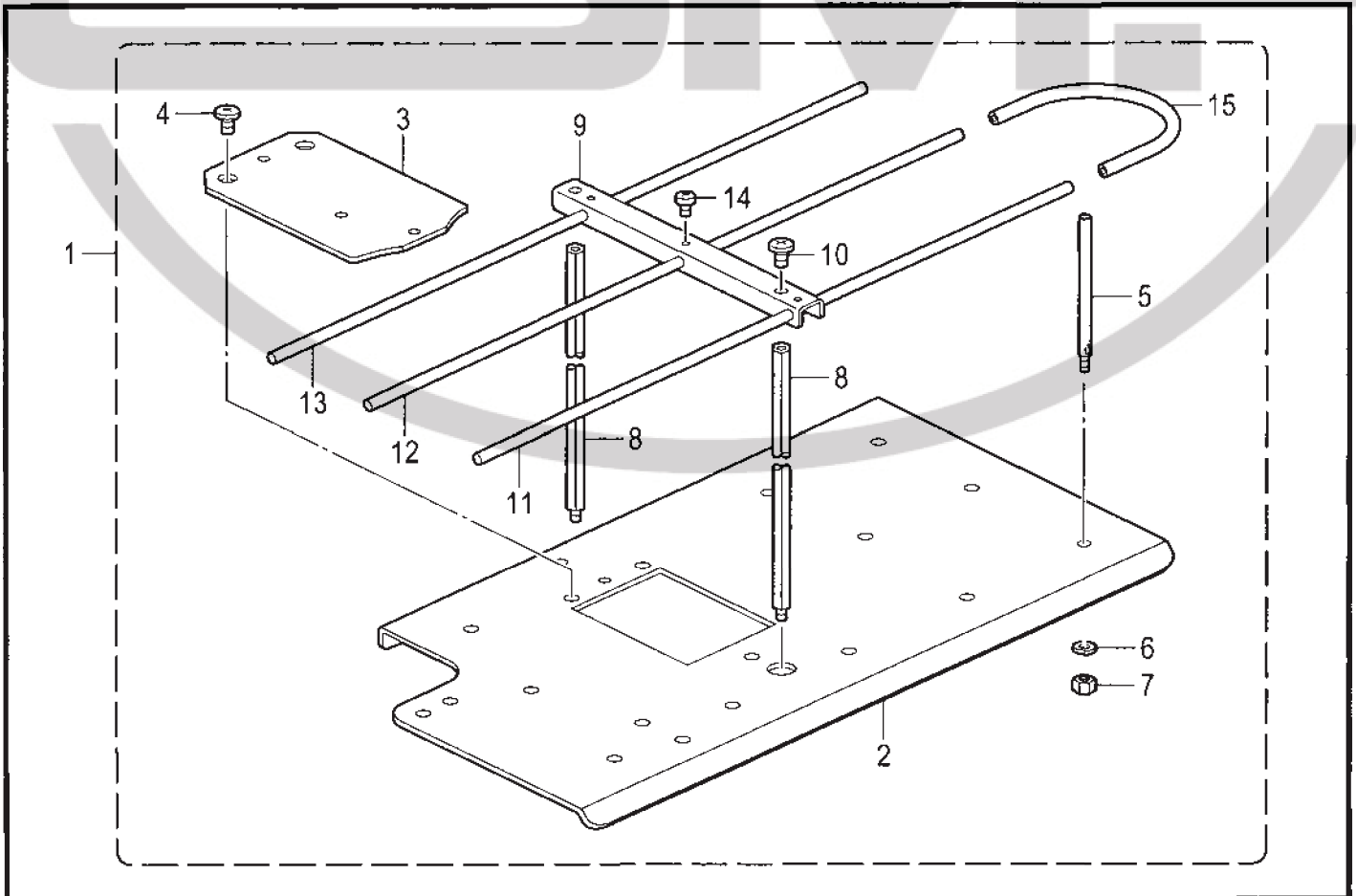
REF.NO	CODE	QTY	品名	NAME OF PARTS	RM
1	S32361201	1	イトカケソレノイドベース	SOLENOID BASE, ;T/GUIDE	
2	060501016	3	バインド5X10	SCREW BIND M5X10	
3	028050246	2	バネザガネ2-5	WASHER SPRING 2-5	
4	025050236	2	ヒラザガネチュウ5	WASHER PLAIN M 5	
5	S32362000	2	アームクッション	ARM CUSHION	
6	S52069001	2	クツシヨントリツケネジ	BOLT, SOCKET M4X14	
7	021400106	2	1シュナット4	NUT 1 M4	
8	S32365101	1	イトハライバネ	THREAD WIPER SPRING	
9	S32366001	1	イトカケソレノイドイタ	SOLENOID PLATE, ;T/GUIDE	
10	0A4300605	2	+ナベザクミ3X6DA	SCREW PAN (S/P WASHER) M3X6	
11	S32367000	1	ワイパーソレノイド	WIPER SOLENOID	
12	S47051101	1	ソレノイドアームクミ	SOLENOID ARM ASSY	
13	S47052101	1	ソレノイドアーム	SOLENOID ARM	
14	018401036	1	アナボルト4X10	BOLT SOCKET M4X10	
15	S32386001	1	ソレノイドセンサーイタ	SOLENOID SENSOR PLATE	
16	S32369001	1	モクガネイタ	PLATE	
17	S25283001	1	ダンネジ4	SHOULDER SCREW, M4	
18	S32371101	1	ガイドメタル	GUIDE METAL	
19	S35711001	1	イチギメスペーサB	POSITIONING SPACER, B	
20	S32373100	1	イチギメカラ	COLLAR, ;POSITIONING	
21	S32374101	1	ウワイトカケフツククミ	GUIDE HOOK ASSY, ;U-THREAD	
22	S32387101	1	ウワイトカケフツクイタ	GUIDE HOOK PLATE, ;U-THREAD	
23	S32388100	1	ウワイトカケフツク	GUIDE HOOK, ;U-THREAD	
24	S32480001	2	シメネジ3X2.5	SCREW, M3X2.5	
25	S35710101	1	ダンネジ3	SHOULDER SCREW, M3	
26	028030243	1	バネザガネ2-3	WASHER, SPRING 2-3	
27	021300106	1	1シュナット3	NUT 1 M3	
28	S34452000	1	ワイパーオサエイタ	WIPER HOLDER PLATE	
29	S32384101	1	センサーイタ	SENSOR PLATE	
30	S36220001	1	センサキバンクミ	SENSOR PCB ASSY, CX	
31	062400816	2	ナベコ4X8	SCREW PAN M4X8	
32	028040246	2	バネザガネ2-4	WASHER SPRING 2-4	
33	026040236	2	ヒラザガネミガキ4	WASHER PLAIN M 4	
34	0A4300605	2	+ナベザクミ3X6DA	SCREW PAN (S/P WASHER) M3X6	
35	S32385101	1	センサーカバー	SENSOR COVER	
36	0A4300605	2	+ナベザクミ3X6DA	SCREW PAN (S/P WASHER) M3X6	
40	S45540001	1	イトツカミ12クミ	THREAD NIPPER ASSY, 12	
41	S45541001	1	イトオサエベース12クミ	THREAD PRESSER BASE ASSY, 12	
42	S45542001	1	イトオサエベース12	THREAD PRESSER BASE, 12	
43	S45543000	1	マジツクテープ12	MAGIC TAPE, 12	
44	S45544001	1	イトオサエフタ12クミ	THREAD PRESSER COVER ASSY, 12	
45	S45545001	1	イトオサエフタ12	THREAD PRESSER COVER, 12	
46	S45543000	1	マジツクテープ12	MAGIC TAPE, 12	
47	062300616	1	ナベコ3X6	SCREW PAN M3X6	
48	028030243	1	バネザガネ2-3	WASHER, SPRING 2-3	
49	025030233	1	ヒラザガネチュウ3	WASHER, PLAIN M 3	
50	S45546001	1	フィンガーガード12クミ	FINGER GUARD ASSY, 12	
51	S45547001	1	フィンガーガード12	FINGER GUARD, 12	
52	S36924001	1	ワーニングマーク	INJURY MARK	
53	S32383001	2	フィンガーガードバネ	SPRING	
54	S32363001	2	スズトリツケネジ	SHOULDER SCREW, M3	
55	S36714001	1	ウエイトツカミスぺーサ	SPACER	
56	062301006	1	ナベコ3X10	SCREW PAN M3X10	
57	S43505001	2	フィンガーガードイタ	FINGER GUARD PLATE	
58	018300636	1	アナボルト3X6	BOLT SOCKET M3X6	
59	028030243	1	バネザガネ2-3	WASHER, SPRING 2-3	
60	021300106	1	1シュナット3	NUT 1 M3	
61	062400816	4	ナベコ4X8	SCREW PAN M4X8	
62	028040246	4	バネザガネ2-4	WASHER SPRING 2-4	
63	026040236	2	ヒラザガネミガキ4	WASHER PLAIN M 4	

P1 . 上糸通し関係 (BE-0901E-AC) / Upper threading mechanism (BE-0901E-AC)



BE-0901E-AC-412

P2 . 上糸通し関係 (BE-1201B-AC) / Upper threading mechanism (BE-1201B-AC)



BE-1201B-AC-412

P1. 上糸通し関係 (BE-0901E-AC) / Upper threading mechanism (BE-0901E-AC)

REF.NO	CODE	QTY	品名	NAME OF PARTS	RM
1	S49451001	1	イトタテダイ9クミ	COTTON STAND ASSY, 9	
2	S32508009	1	イトタテダイL	COTTON STAND, L	
3	S32509009	1	イトタテダイS	COTTON STAND, S	
4	060501016	4	バインド5X10	SCREW BIND M5X10	
5	S46972001	9	スプールジク	SPOOL SHAFT	
6	028050246	9	バネザガネ2-5	WASHER SPRING 2-5	
7	021500103	9	1シュナツト5	NUT, 1 M5	
8	S32510001	1	イトアンナイシジボウ	THREAD GUIDE BAR	
9	S15273001	1	イトアンナイジヨイント	THREAD GUIDE JOINT	
10	060501016	1	バインド5X10	SCREW BIND M5X10	
11	S15286101	1	イトアンナイA	THREAD GUIDE, A	
12	S15287101	1	イトアンナイB	THREAD GUIDE, B	
13	062400816	2	ナベコ4X8	SCREW PAN M4X8	
14	S34450001	1	アンナイシジイタ	GUIDE PLATE	
15	062300616	1	ナベコ3X6	SCREW PAN M3X6	
16	S25391000	1	ビニールチューブ	OIL TUBE, L=220	

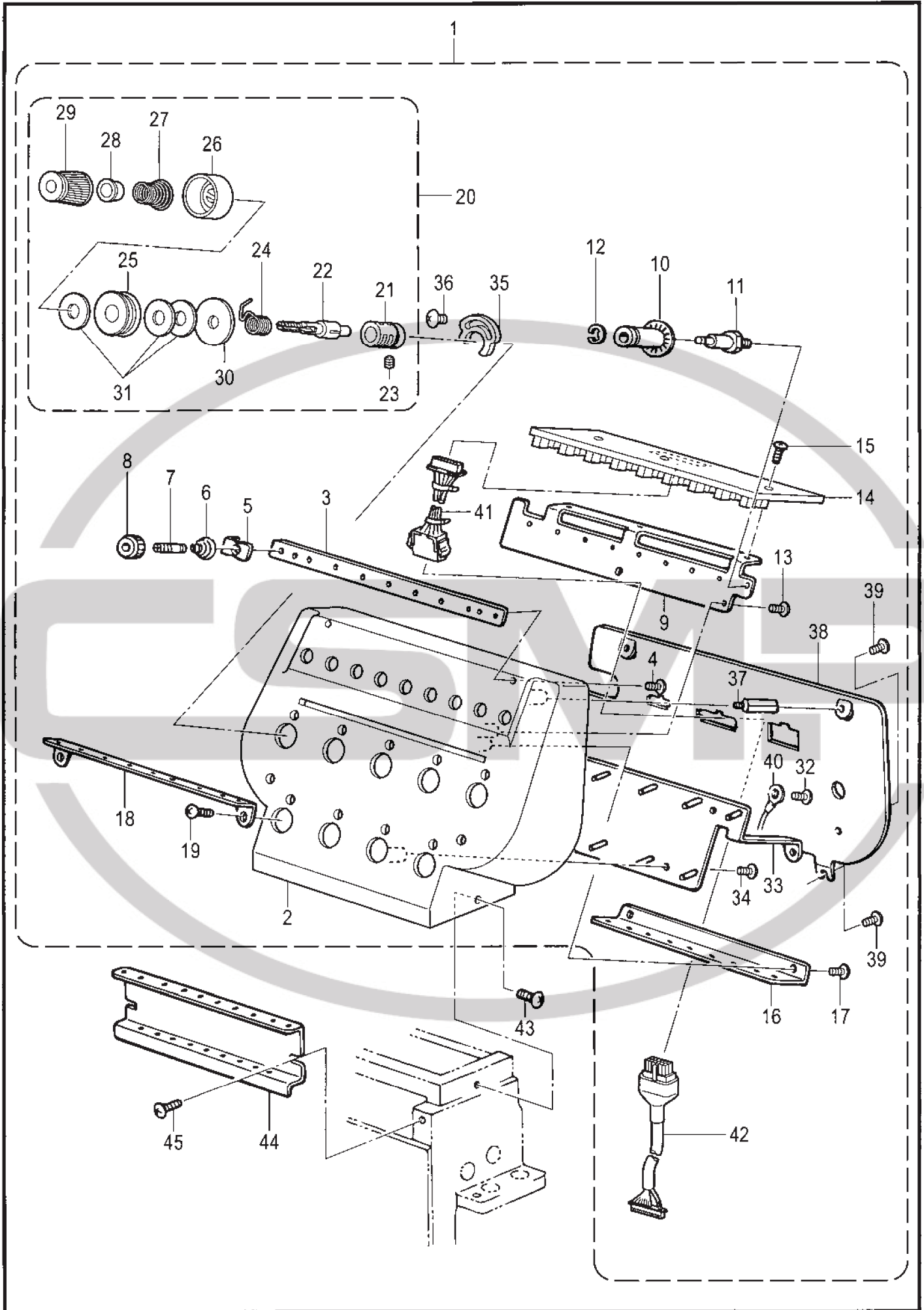
BE-0901E-AC-412

P2. 上糸通し関係 (BE-1201B-AC) / Upper threading mechanism (BE-1201B-AC)

REF.NO	CODE	QTY	品名	NAME OF PARTS	RM
1	S49450001	1	イトタテダイ12クミ	COTTON STAND ASSY, 12	
2	S45588009	1	イトタテダイ12	COTTON STAND, 12	
3	S32509009	1	イトタテダイS	COTTON STAND, S	
4	060501016	4	バインド5X10	SCREW BIND M5X10	
5	S46972001	12	スプールジク	SPOOL SHAFT	
6	028050246	12	バネザガネ2-5	WASHER SPRING 2-5	
7	021500103	12	1シュナツト5	NUT, 1 M5	
8	S32510001	2	イトアンナイシジボウ	THREAD GUIDE BAR	
9	S45590001	1	イトアンナイジヨイント12	THREAD GUIDE JOINT, 12	
10	060501016	2	バインド5X10	SCREW BIND M5X10	
11	S46290001	1	イトアンナイA	THREAD GUIDE, A	
12	S46291001	1	イトアンナイB	THREAD GUIDE, B	
13	S45589001	1	イトアンナイC	THREAD GUIDE, C	
14	062400816	3	ナベコ4X8	SCREW PAN M4X8	
15	S25391000	1	ビニールチューブ	OIL TUBE, L=220	

BE-1201B-AC-412

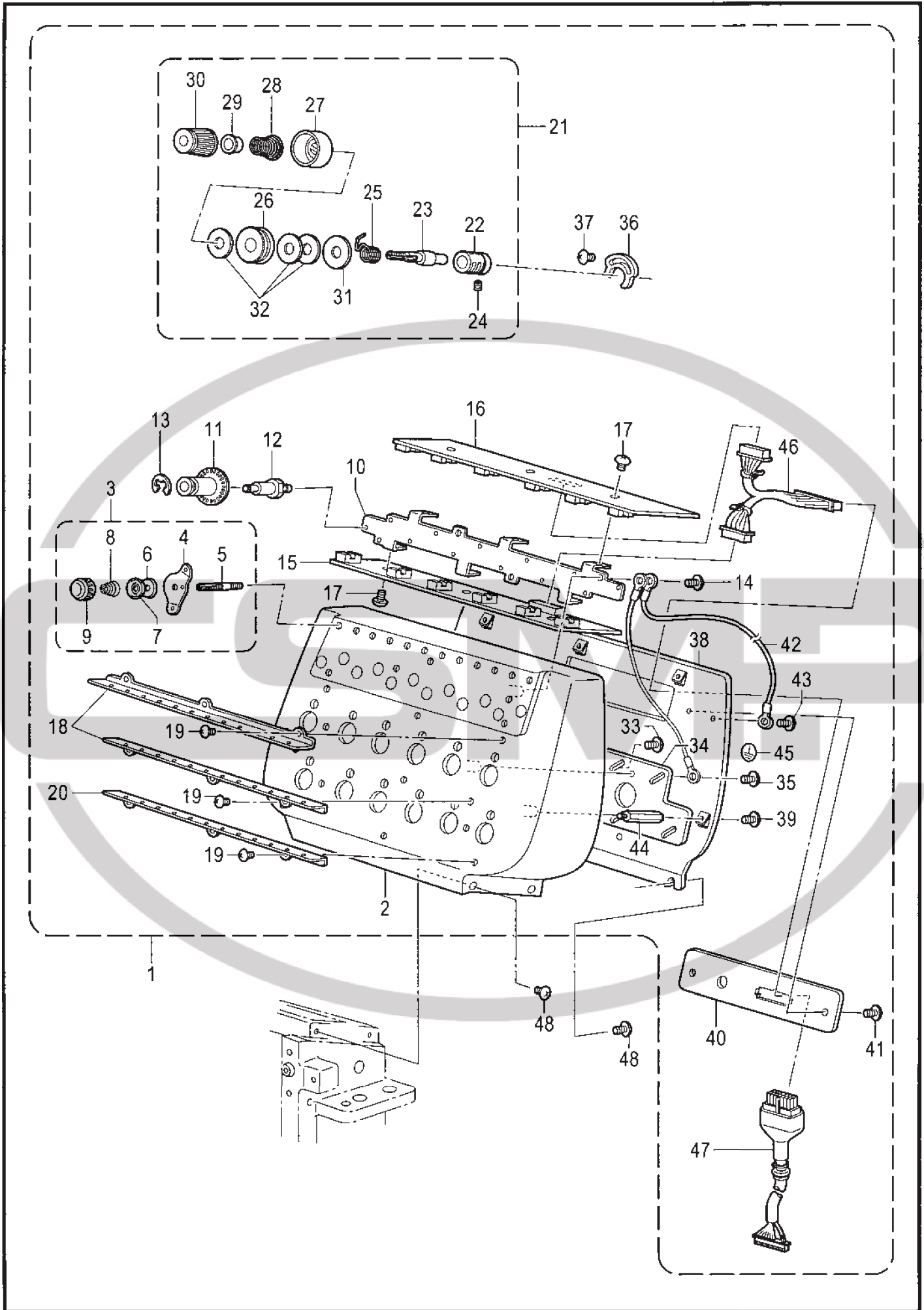
Q1 . 糸調子関係 (BE-0901E-AC) / Thread tension (BE-0901E-AC)



Q1. 糸調子関係 (BE-0901E-AC) / Thread tension (BE-0901E-AC)

REF.NO	CODE	QTY	品名	NAME OF PARTS	RM
1	S58170009	1	チヨウセイダイ1H9Sクミ	ADJUSTMENT BASE ASSY, 1H:9S	
2	S40702009	1	チヨウセイダイベ-スクミ	ADJUSTMENT BASE ASSY, S	
3	S32394101	1	イトカケベ-ス	THREAD GUIDE BASE	
4	008400806	2	+トラスコ4X8	SCREW TRUSS M4X8	
5	S32395001	9	イトアンナイチヨウシサラ	THREAD GUIDE DISK	
6	S34033001	9	プレテンションパネ	SPRING	
7	S32397001	9	イトアンナイダンネジ	SHOULDER SCREW	
8	155510001	9	イトチヨウシナツト	TENSION NUT	
9	S40709001	1	イトキレプ-リーイタ	THREAD BREAKAGE PULLEY PLATE	
10	S40707000	9	イトキレプ-リー	THREAD BREAKAGE PULLEY	
11	S40708001	9	イトキレプ-リージク	THREAD BREAKAGE PULLEY SHAFT	
12	048020346	9	トメワE2	RETAINING RING E2	
13	008400806	3	+トラスコ4X8	SCREW TRUSS M4X8	
14	S41030001	1	イトキレセンサーキバンクミ	TR-BRAKEAGE SENSOR PCB ASSY	
15	008400806	3	+トラスコ4X8	SCREW TRUSS M4X8	
16	S40712001	1	ジヨウブイトミチウエ	THREAD GUIDE, U :UPPER	
17	008400806	2	+トラスコ4X8	SCREW TRUSS M4X8	
18	S40713001	1	ジヨウブイトミチナカ	THREAD GUIDE, C :UPPER	
19	008400806	2	+トラスコ4X8	SCREW TRUSS M4X8	
20	S37295401	9	イトチヨウシボウダイクミ	TENSION BRACKET ASSY	
21	S40714101	9	イトチヨウシボウダイ	TENSION STUD BASE	
22	S50013001	9	イトチヨウシボウ	TENSION STUD	
23	100402004	9	トメネジ3.57	SET SCREW, SM3.57	
24	S37297101	9	イトトリパネ	THREAD TAKE-UP SPRING	
25	S36300000	9	ロータリーサラ	ROTARY DISC	
26	144103009	9	イトチヨウシサラオサエ	TENSION DISC PRESSER	
27	S20680001	9	イトチヨウシパネS	TENSION SPRING, S	
28	S20681000	9	チヨウシパネウエザガネ	WASHER	
29	S20682103	9	イトチヨウシナツト	TENSION NUT	
30	S48398000	9	イトチヨウシボウイタL	TENSION BAR PLATE, L	
31	S36299001	25	イトチヨウシサラフェルト	TENSION DISC FELT	
32	008400806	18	+トラスコ4X8	SCREW TRUSS M4X8	
33	S40715000	1	イトチヨウシボウタイイタ	TENSION STUD BASE PLATE	
34	008400806	4	+トラスコ4X8	SCREW TRUSS M4X8	
35	S40716001	9	イトトリパネイタ	THREAD TAKE-UP SPRING PLATE	
36	008400806	9	+トラスコ4X8	SCREW TRUSS M4X8	
37	S40740001	2	スタツド4X25	STUD, 4X25	
38	S40717101	1	チヨウセイダイカバー	ADJUSTMENT BASE COVER	
39	008400806	4	+トラスコ4X8	SCREW TRUSS M4X8	
40	S17061000	1	ア-スセン120	GROUND WIRE, 120	
41	S42643050	1	イトキレセンサー-ハーネスクミ	T-BREAKAGE SENSOR HARNESS ASSY	
42	S52781000	1	チヨウシダイハーネスクミ	HARNESS ASSY, A/B.H/PCB-HEAD	
43	008400806	4	+トラスコ4X8	SCREW TRUSS M4X8	
44	S40718001	1	イトミチウエ	THREAD GUIDE, U	
45	008400806	2	+トラスコ4X8	SCREW TRUSS M4X8	

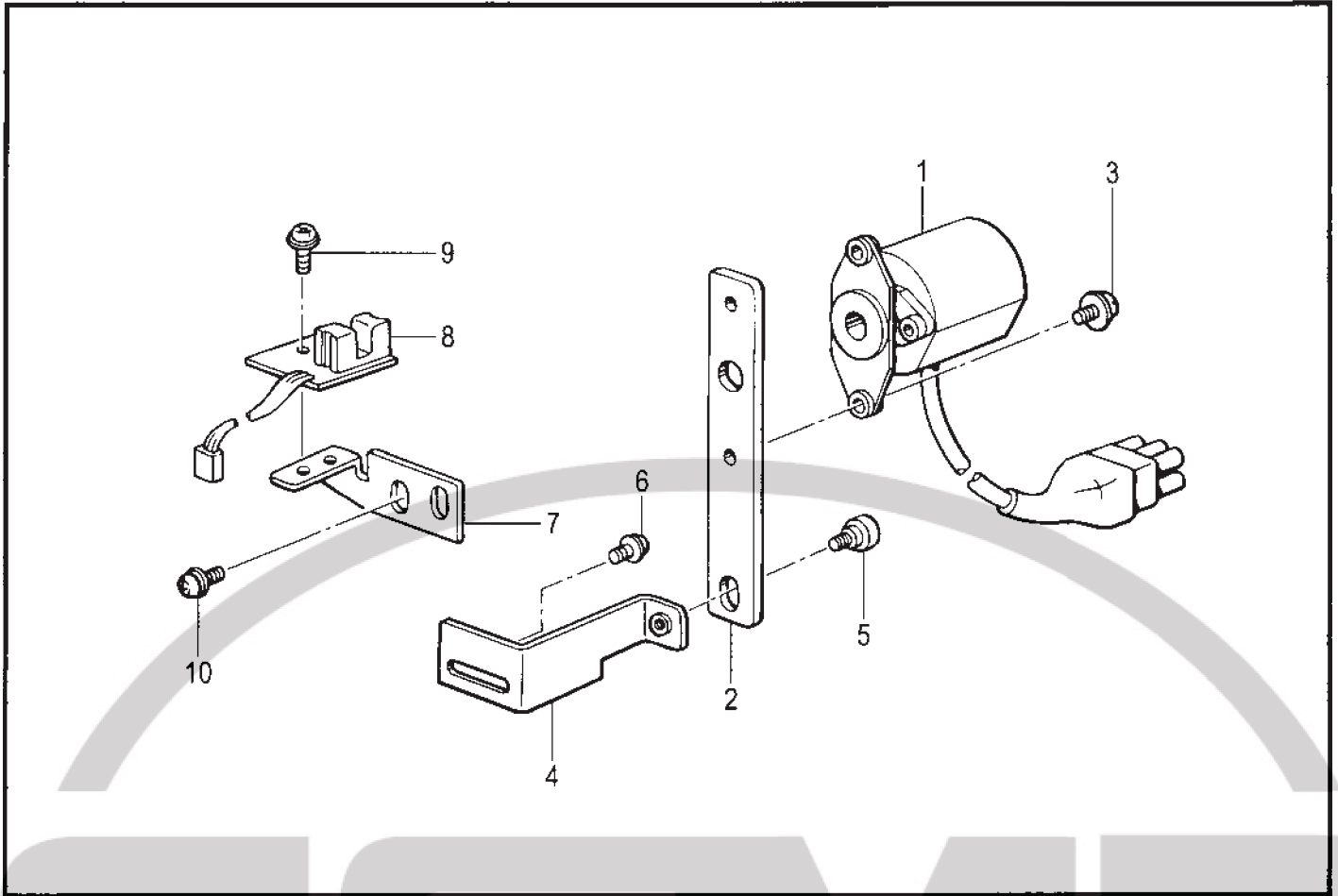
Q2 . 糸調子関係 (BE-1201B-AC) / Thread tension (BE-1201B-AC)



## Q2. 糸調子関係 (BE-1201B-AC) / Thread tension (BE-1201B-AC)

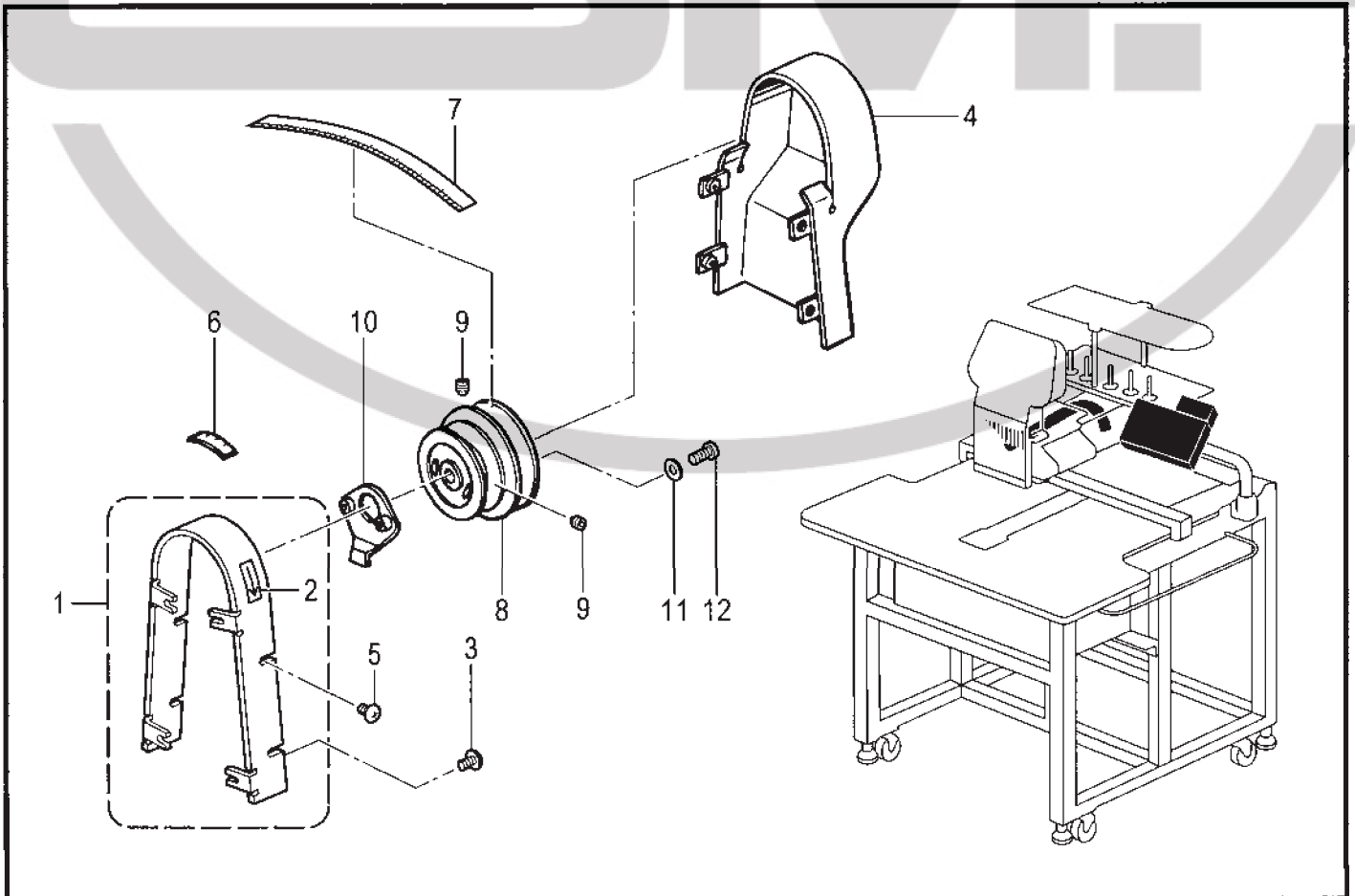
REF.NO	CODE	QTY	品名	NAME OF PARTS	RM
1	S52034209	1	チヨウセイダイ1H12Sクミ	ADJUSTMENT BASE ASSY, 1H :12S	
2	S46286009	1	チヨウセイダイB12Sクミ	ADJUSTMENT BASE ASSY, B :12S	
3	S51497001	12	プレテンションクミC	PRE-TENSION ASSY, C	
4	S51498001	12	イトアンナイ	THREAD GUIDE	
5	S45563001	12	イトアンナイチヨウシボウ	THREAD GUIDE TENSION STUD	
6	S51499000	12	イトアンナイサラ	TENSION DISC	
7	S51499000	12	イトアンナイサラ	TENSION DISC	
8	S51440001	12	プレテンションバネC	SPRING, C	
9	S45567001	12	イトチヨウシナツト	TENSION NUT	
10	S45568001	1	イトキレプリーイタ12	T-BREAKAGE PULLEY PLATE, 12	
11	S40707000	12	イトキレプリー	THREAD BREAKAGE PULLEY	
12	S40708001	12	イトキレプリージク	THREAD BREAKAGE PULLEY SHAFT	
13	048020346	12	トメワE2	RETAINING RING E2	
14	008400806	4	トラスコ4X8	SCREW TRUSS M4X8	
15	S45501001	1	イトキレセンサキバンクミ	T-BREAKAGE SENSOR PCB ASSY	
16	S45501002	1	イトキレセンサキバンクミ	T-BREAKAGE SENSOR PCB ASSY	
17	008400806	6	トラスコ4X8	SCREW TRUSS M4X8	
18	S45570001	2	ジヨウブイトミチナカ12	UPPER THREAD GUIDE, C :12	
19	008400806	9	トラスコ4X8	SCREW TRUSS M4X8	
20	S46968001	1	ジヨウブイトミチシタ12	UPPER THREAD GUIDE, D ;12	
21	S37295401	12	イトチヨウシボウダイクミ	TENSION BRACKET ASSY	
22	S40714101	12	イトチヨウシボウダイ	TENSION STUD BASE	
23	S50013001	12	イトチヨウシボウ	TENSION STUD	
24	100402004	12	トメネジ3.57	SET SCREW, SM3.57	
25	S37297101	12	イトトリバネ	THREAD TAKE-UP SPRING	
26	S36300000	12	ロータリーサラ	ROTARY DISC	
27	144103009	12	イトチヨウシサラオサエ	TENSION DISC PRESSER	
28	S20680001	12	イトチヨウシバネS	TENSION SPRING, S	
29	S20681000	12	チヨウシバネウエザガネ	WASHER	
30	S20682103	12	イトチヨウシナツト	TENSION NUT	
31	S48398000	12	イトチヨウシボウイタL	TENSION BAR PLATE, L	
32	S36299001	33	イトチヨウシサラフェルト	TENSION DISC FELT	
33	008400806	24	トラスコ4X8	SCREW TRUSS M4X8	
34	S45571000	1	イトチヨウシボウタイイタ12	TENSION BAR PLATE, 12	
35	008400806	6	トラスコ4X8	SCREW TRUSS M4X8	
36	S40716001	12	イトトリバネイタ	THREAD TAKE-UP SPRING PLATE	
37	008400806	12	トラスコ4X8	SCREW TRUSS M4X8	
38	S45572001	1	チヨウセイダイカバー12	ADJ-BASE COVER, 12	
39	008400806	5	トラスコ4X8	SCREW TRUSS M4X8	
40	S49396001	1	イトチヨウシコネクタイタSTN	SETTING PLATE, CONNECTOR :STN	
41	008400806	2	トラスコ4X8	SCREW TRUSS M4X8	
42	S17061000	2	アースセン120	GROUND WIRE, 120	
43	008400806	1	トラスコ4X8	SCREW TRUSS M4X8	
44	S45574001	2	スタツド4X50	STUD, 4X50	
45	S37060001	3	アースマーク	LABEL, GROUNDING	
46	S46284000	1	イトキレセンサハーネスクミ	T-BREAKAGE SENSOR HARNESS ASSY	
47	S51151000	1	チヨウシダイハーネスクミ	HARNESS ASSY, H/PCB-HEAD	
48	008400806	6	トラスコ4X8	SCREW TRUSS M4X8	

R. 針位置檢出器關係 / Synchronizer



BE-0901E/1201B-501

S. 頭部部品關係 / Machine head parts



BE-0901E/1201B-601

## R. 針位置検出器関係 / Synchronizer

REF.NO	CODE	Q'TY	品名	NAME OF PARTS	RM
1	S20913000	1	ロータリ-エンコーダJK	ROTARY ENCODER, JK	
2	S15281001	1	エンコーダブラケット	ENCODER BRACKET	
3	0A5300805	2	+ナベザクミ3X8DB	SCREW, PAN (S/P WASHER) M3X8	
4	S36436101	1	エンコーダトリツケイタ	ENCODER SETTING PLATE	
5	UA0130001	1	ダンネジ	SHOULDER SCREW	
6	0A5400806	2	+ナベザクミ4X8DB	SCREW, PAN (S/P WASHER) M4X8	
7	S36435001	1	ハリイチセンサトリツケイタ	SENSOR SETTING PLATE	
8	S36220001	1	センサキバンクミ	SENSOR PCB ASSY, CX	
9	0A4300605	2	+ナベザクミ3X6DA	SCREW, PAN (S/P WASHER) M3X6	
10	0A5400806	2	+ナベザクミ4X8DB	SCREW, PAN (S/P WASHER) M4X8	

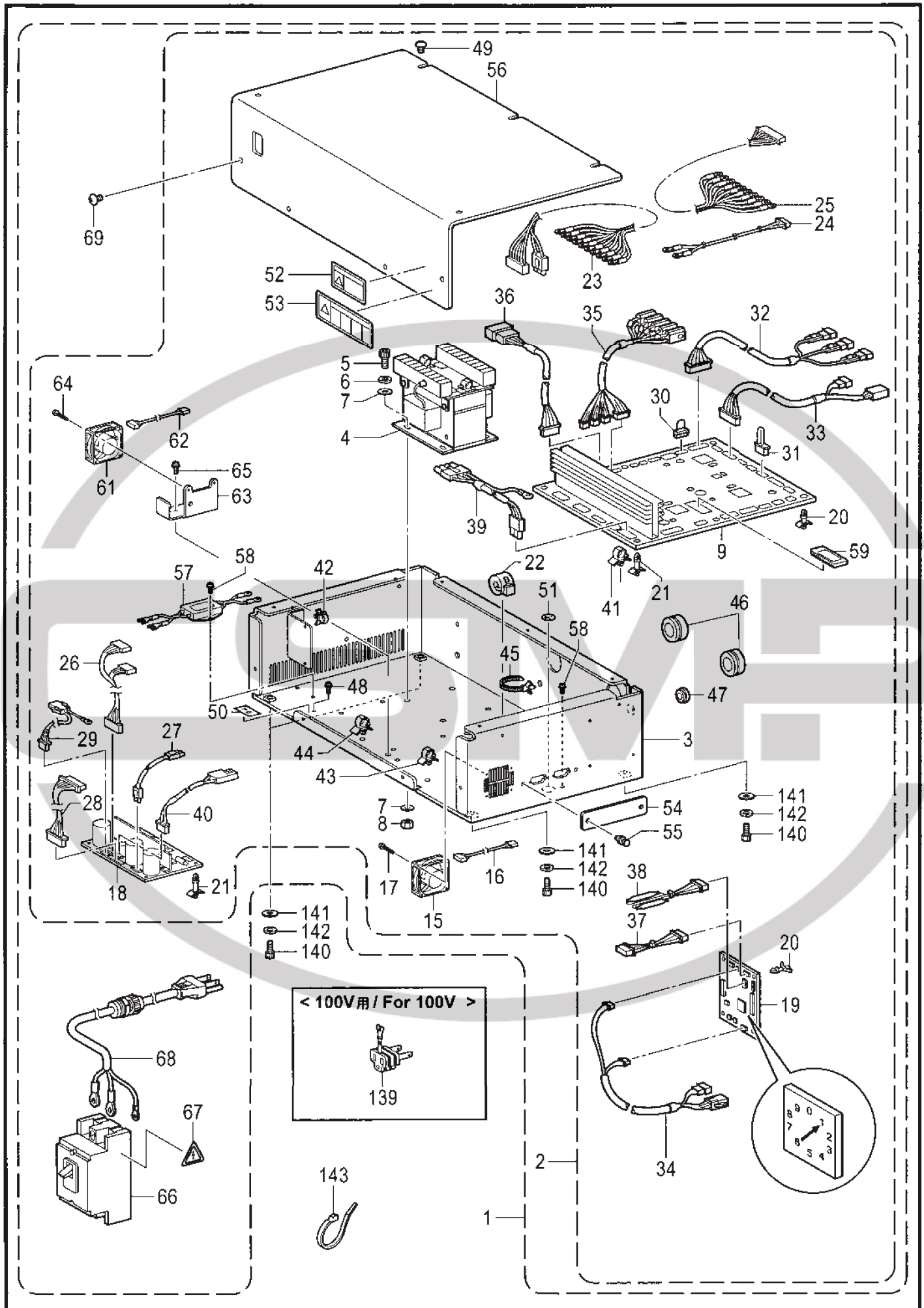
BE-0901E/1201B-501

## S. 頭部部品関係 / Machine head parts

REF.NO	CODE	Q'TY	品名	NAME OF PARTS	RM
1	S39414009	1	ベルトカバー-Aクミ	BELT COVER ASSY, A	
2	S37058001	1	ヤジルシマーク	LABEL, ARROW	
3	008400604	4	+トラスコ4X6	SCREW, TRUSS M4X6	
4	S36438009	1	ベルトカバー-B	BELT COVER, B	
5	008400604	4	+トラスコ4X6	SCREW, TRUSS M4X6	
6	S32446009	1	テイシマーク	STOP MARK	
7	S32445009	1	プーリスケール	PULLEY SCALE	
8	S36439000	1	プーリ1H	PULLEY, 1H	
9	012060636	2	アナヒラ6X6	SET SCREW, SOCKET (FT) M6X6	
10	S32536001	1	ハリイチドグ	ZERO BIGHT NEEDLE LOCATION DOG	
11	025040236	2	ヒラザガネチュウ4	WASHER, PLAIN M 4	
12	062401616	2	ナベコ4X16	SCREW, PAN M4X16	

BE-0901E/1201B-601

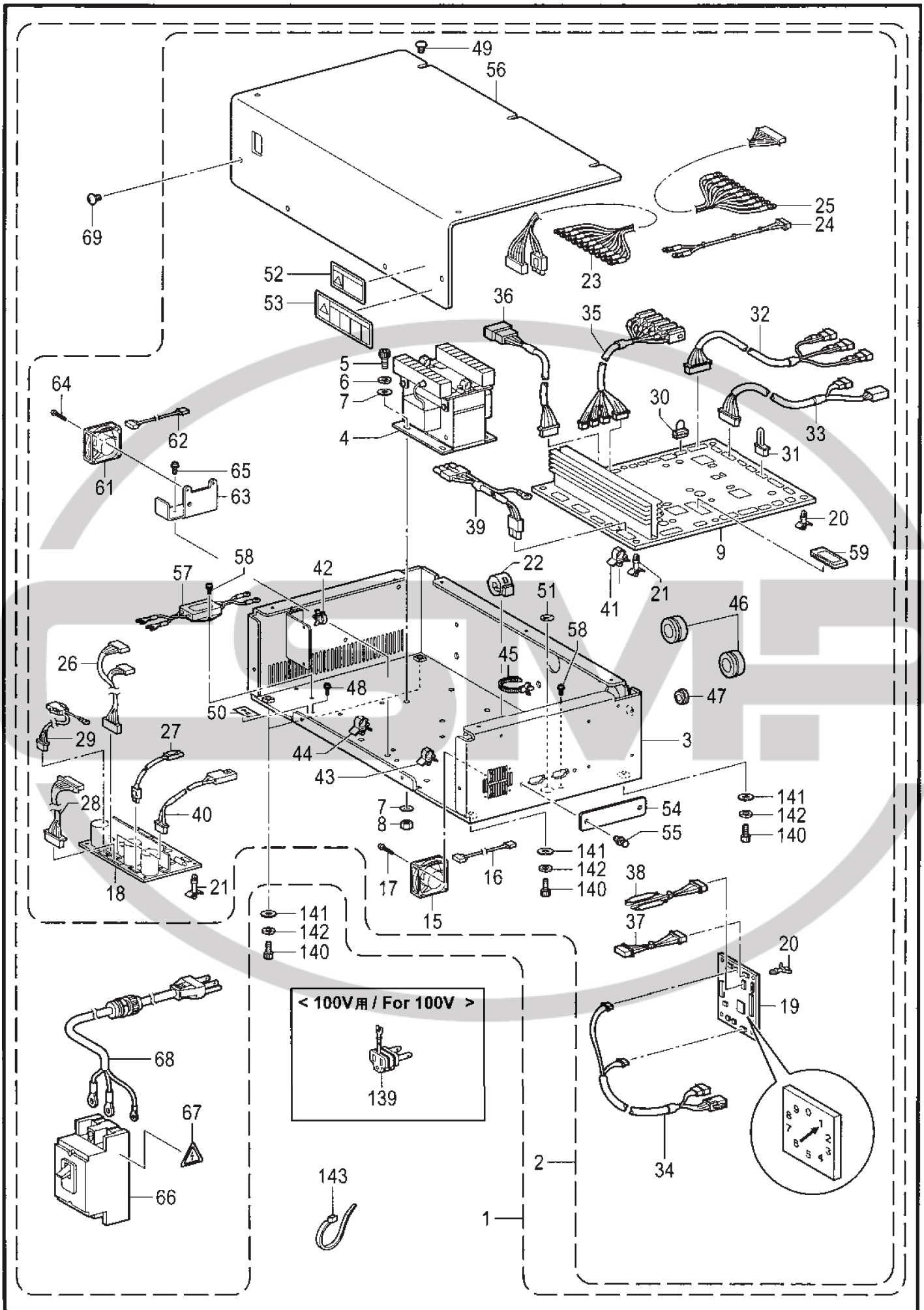
T1 . コントロールボックス関係(100V,120V用) / Control box mechanism(For 100V,120V)



## T1. コントロールボックス関係 (100V,120V用) / Control box mechanism(For 100V,120V)

REF.NO	CODE	QTY	品名	NAME OF PARTS	RM
1	S55095001	1	セイギヨボックスクミN	CONTROL BOX ASSY, N	
2	S55096001	1	セイギヨボックスNクミN	CONTROL BOX ASSY, N :N	
3	S49390009	1	セイギヨBOXソコイタ	CONTROL BOX BOTTOM PLATE	
4	S55985000	1	トランス698VA	TRANSFORMER, 698VA	
5	018061236	3	アナボルト6X12	BOLT, SOCKET M6X12	
6	028060246	3	バネザガネ2-6	WASHER, SPRING 2-6	
7	025060236	6	ヒラザガネチユウ6	WASHER, PLAIN M 6	
8	021060106	3	1シユナツト6	NUT, 1 M6	
9	S49770201	1	メインキバンクミ	MAIN PCB ASSY	
15	S42946000	1	DCファンFBA06A24HS	FAN MOTOR, DC :FBA06A24HS	
16	S51150000	1	DCファンハーネスクミM	HARNESS ASSY, M :DC F/MOTOR	
17	UL0233001	2	+ナベセムス3X30DA	SCREW, PAN (S/P WASHER) M3X30	
18	S52221001	1	デンゲンキバンクミ	POWER SUPPLY PCB ASSY	
19	S41195201	1	トウブキバンクミ	HEAD PCB ASSY	
20	S00554000	6	サポート6NS	SUPPORT, 6NS	
21	S52031000	8	サポート12NS	SUPPORT, 12NS	
22	S52166000	1	コアNFR-161608	CORE, NFR-161608	
23	S52229000	1	トランスハーネスクミ	TRANS P-SUPPLY HARNESS P ASSY	
24	S51141000	1	トランスハーネスクミZ	TRANS-M/PCB HARNESS Z ASSY	
25	S51142000	1	トランスハーネスクミM	TRANS-M/PCB HARNESS M ASSY	
26	S51143000	1	デンゲンハーネスクミMN	HARNESS ASSY, MN :P/SUP.-M/PCB	
27	S51144000	1	デンゲンハーネスクミMT	HARNESS ASSY, MT :P/SUP.-M/PCB	
28	S51145000	1	デンゲンハーネスクミHD	HARNESS ASSY, HD :P/SUP.-H/PCB	
29	S51146000	1	デンゲンハーネスクミSP	HARNESS ASSY, SP :P/SUP.-R/HA	
30	S55636000	1	ファンケンチシユウタン	FAN TERMINATOR	
31	S52032000	1	ストップスイッチシユウタン	TERMINATOR, STOP SWITCH :M/PCB	
32	S36211100	1	XYエリアハーネスクミ	AREA HARNESS ASSY, XY	
33	S36213200	1	タイミングハーネスクミ	TIMING HARNESS ASSY	
34	S51152000	1	トウブセンサハーネスクミ	HERNESS ASSY, :H/PCB-HEAD	
35	S51155000	1	ソレノイドハーネスクミ	SOLENOID HARNESS ASSY	
36	S36216100	1	INDEXモータハーネスクミ	MOTOR HARNESS ASSY, INDEX	
37	S51157000	1	トウブツウシンハーネスクミ	MAIN-HEAD PCB HARNESS ASSY	
38	S43018000	1	Hシユウタンクミ	TERMINATOR ASSY, H	
39	S51158000	1	ミシンモータハーネスクミ	M-PCB MOTOR HARNESS ASSY	
40	S36218200	1	イトマキハーネスクミ	B-WINDER HARNESS ASSY	
41	S11848000	4	コードクランプ#7	CORD CLAMP, 7N	
42	150349001	2	コードクランプ10	CORD CLAMP, 10-L	
43	150357001	2	コードクランプ13	CORD CLAMP, 13-L	
44	S09142000	1	コードクランプ20L	CORD CLAMP, 20-L	
45	SA3672001	2	コードクランプF1259	CORD CLAMP:F1259	
46	S21057000	2	コードブツシユ	CORD BUSH	
47	S49397000	1	コードブツシユMG-4	CORD BUSH, MG-4	
48	533923001	1	+ナベセムス3X14DB	SCREW, PAN (S/P WASHER) M3X14	
49	008400604	4	+トラスコ4X6	SCREW, TRUSS M4X6	
50	S37059001	1	PEマーク	LABEL, PE	
51	S37060001	1	アースマーク	LABEL, GROUNDING	
52	S38353101	1	デンゲキラベル.ワ	LABEL, ELEC. SHOCK JPN.	
53	S38352101	1	デンゲキラベル.4カコク	LABEL, ELEC. SHOCK 4 LANG.	
54	S32954009	1	SWフタ	COVER, ;SWITCH	
55	S12481000	2	ナイラツチ	NYLATCH	
56	S49391009	1	セイギヨBOXカバー	CONTROL BOX COVER	
57	S36202000	1	ノイズフィルタMYW1205	NOISE FILTER, MYW1205	
58	0A5300605	2	+ナベザクミ3X6DB	SCREW, PAN (S/P WASHER) M3X6	
59	S44341000	1	PROM960MTクミ	EPROM ASSY, 960 MT	
61	S42946000	1	DCファンFBA06A24HS	FAN MOTOR, DC :FBA06A24HS	
62	S42947000	1	DCファンハーネスクミ	F-MOTOR HARNESS ASSY, DC	
63	S55595001	1	ファントリツケイタ	FAN SETTING PLATE	
64	UL0233001	2	+ナベセムス3X30DA	SCREW, PAN (S/P WASHER) M3X30	
65	0A5401006	1	+ナベザクミ4X10DB	SCREW, PAN (S/P WASHE) M4X10	
66	S47900000	1	ブレーカ-M10A	BREAKER, M :10A	
67	616415001	1	デンゲンラベル ショウ	LABEL, P-SUPPLY S	
68	S55987000	1	デンゲンコードUS	POWER SUPPLY HARNESS. US	

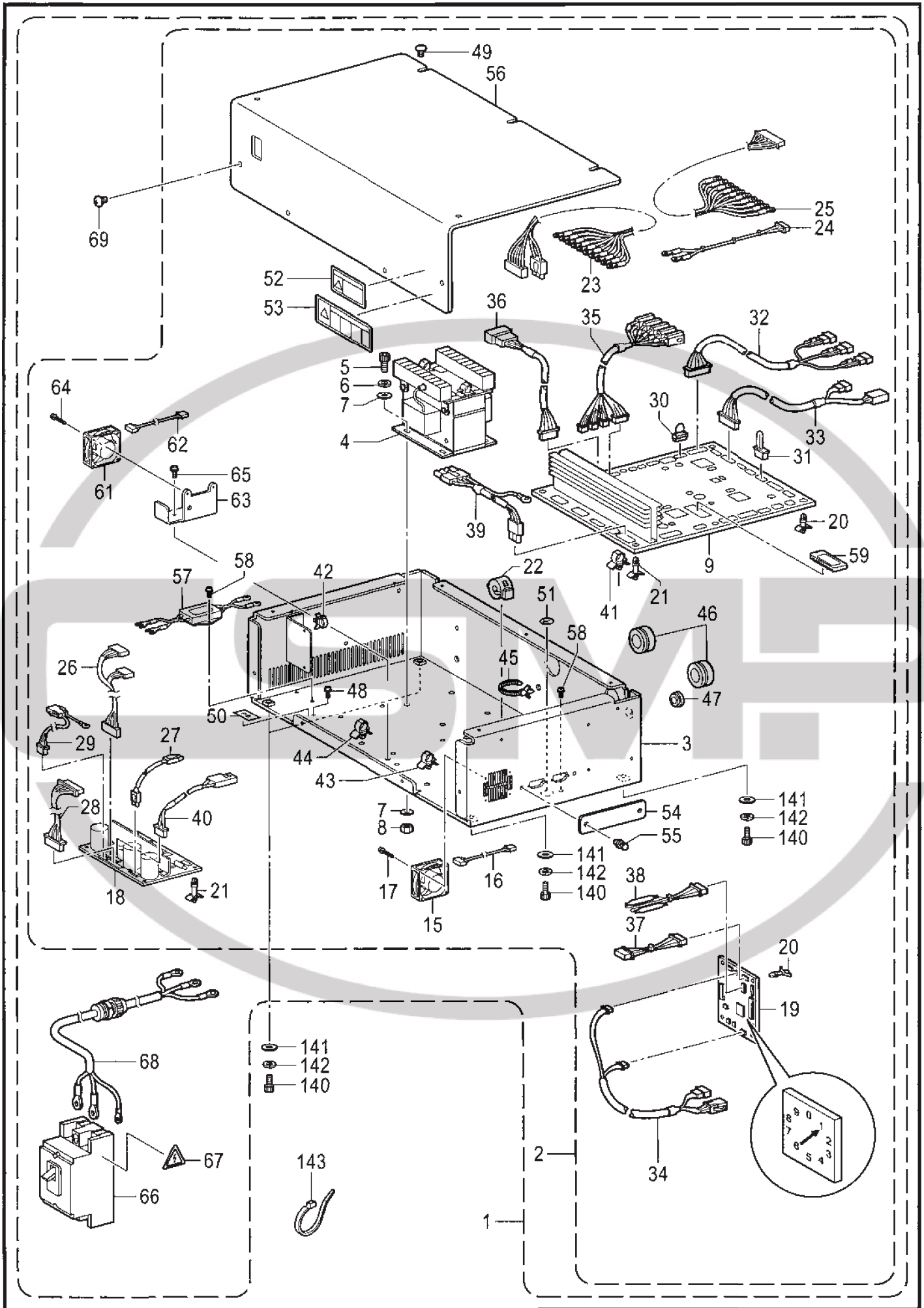
T1 . コントロールボックス関係(100V,120V用) / Control box mechanism(For 100V,120V)



T1. コントロールボックス関係 (100V,120V用) / Control box mechanism(For 100V,120V)

REF.NO	CODE	QTY	品名	NAME OF PARTS	RM
69	008400604	5	+トラスコ4X6	SCREW, TRUSS M4X6	
140	018061636	4	アナボルト6X16	BOLT, SOCKET M6X16	
141	025060236	4	ヒラザガネチユウ6	WASHER, PLAIN M 6	
142	028060246	4	バネザガネ2-6	WASHER, SPRING 2-6	
143	S04557000	1	パンタイPLT1M	BAND, PLT1M	
139	U34148001	1	<100V用> ヘンカンプラグ#1	<For 100V> ADAPTER PLUG #1	

T2 . コントロールボックス関係(220V-240V用) / Control box mechanism(For 220V-240V)

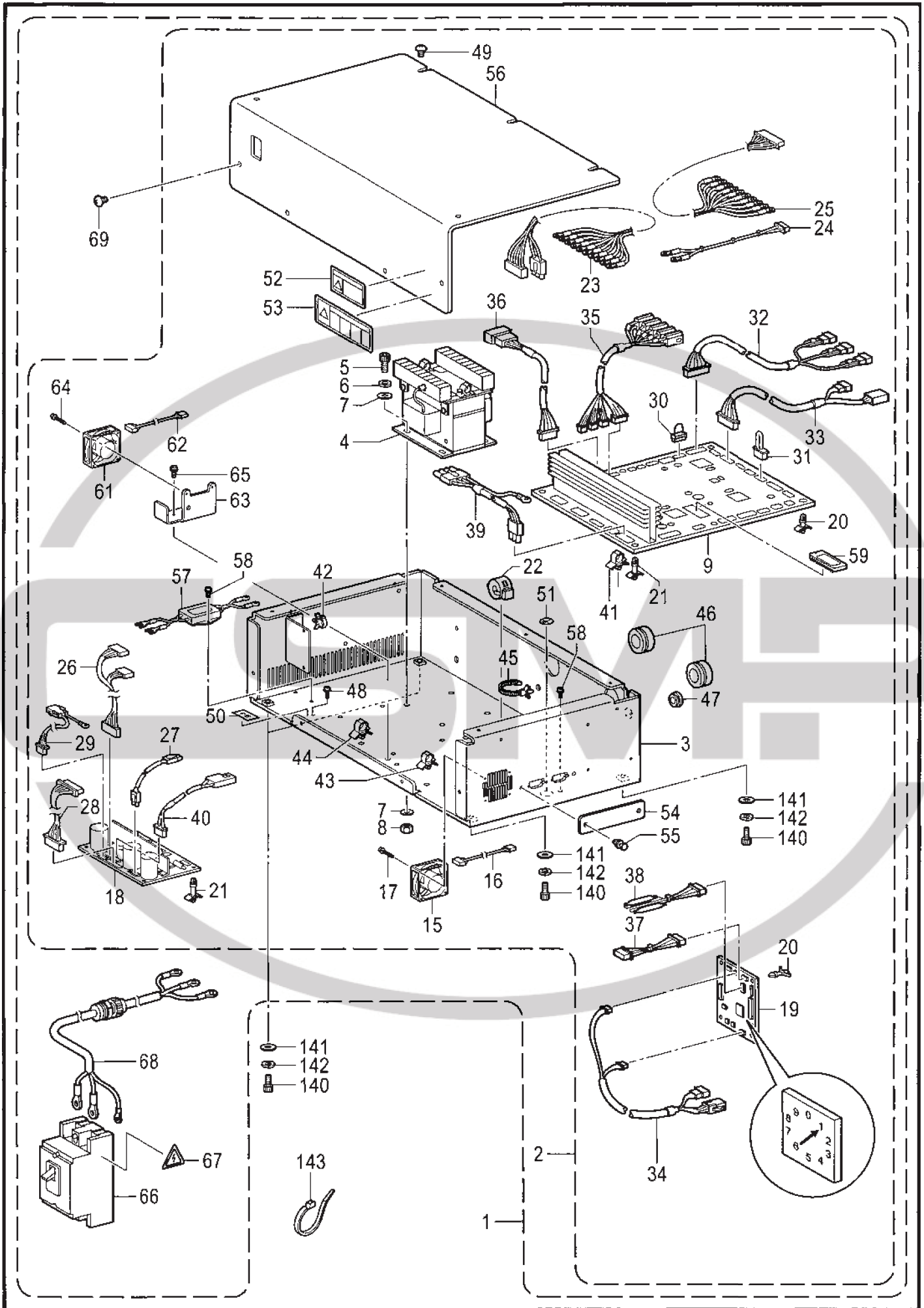


BE-0901E/1201B-502

## T2. コントロールボックス関係 (220V-240V用) / Control box mechanism(For 220V-240V)

REF.NO	CODE	QTY	品名	NAME OF PARTS	RM
1	S55095002	1	セイギヨボックスクミN	CONTROL BOX ASSY, N	
2	S55096001	1	セイギヨボックスNクミN	CONTROL BOX ASSY, N :N	
3	S49390009	1	セイギヨBOXソコイタ	CONTROL BOX BOTTOM PLATE	
4	S55985000	1	トランス698VA	TRANSFORMER, 698VA	
5	018061236	3	アナボルト6X12	BOLT, SOCKET M6X12	
6	028060246	3	バネザガネ2-6	WASHER, SPRING 2-6	
7	025060236	6	ヒラザガネチユウ6	WASHER, PLAIN M 6	
8	021060106	3	1シユナツト6	NUT, 1 M6	
9	S49770201	1	メインキバンクミ	MAIN PCB ASSY	
15	S42946000	1	DCファンFBA06A24HS	FAN MOTOR, DC :FBA06A24HS	
16	S51150000	1	DCファンハーネスクミM	HARNESS ASSY, M :DC F/MOTOR	
17	UL0233001	2	+ナベセムス3X30DA	SCREW, PAN (S/P WASHER) M3X30	
18	S52221001	1	デンゲンキバンクミ	POWER SUPPLY PCB ASSY	
19	S41195201	1	トウブキバンクミ	HEAD PCB ASSY	
20	S00554000	6	サポート6NS	SUPPORT, 6NS	
21	S52031000	8	サポート12NS	SUPPORT, 12NS	
22	S52166000	1	コアNFR-161608	CORE, NFR-161608	
23	S52229000	1	トランスハーネスクミ	TRANS P-SUPPLY HARNESS P ASSY	
24	S51141000	1	トランスハーネスクミZ	TRANS-M/PCB HARNESS Z ASSY	
25	S51142000	1	トランスハーネスクミM	TRANS-M/PCB HARNESS M ASSY	
26	S51143000	1	デンゲンハーネスクミMN	HARNESS ASSY, MN :P/SUP.-M/PCB	
27	S51144000	1	デンゲンハーネスクミMT	HARNESS ASSY, MT :P/SUP.-M/PCB	
28	S51145000	1	デンゲンハーネスクミHD	HARNESS ASSY, HD :P/SUP.-H/PCB	
29	S51146000	1	デンゲンハーネスクミSP	HARNESS ASSY, SP :P/SUP.-R/HA	
30	S55636000	1	ファンケンチシユウタン	FAN TERMINATOR	
31	S52032000	1	ストップスイッチシユウタン	TERMINATOR, STOP SWITCH :M/PCB	
32	S36211100	1	XYエリアハーネスクミ	AREA HARNESS ASSY, XY	
33	S36213200	1	タイミングハーネスクミ	TIMING HARNESS ASSY	
34	S51152000	1	トウブセンサハーネスクミ	HERNESS ASSY, :H/PCB-HEAD	
35	S51155000	1	ソレノイドハーネスクミ	SOLENOID HARNESS ASSY	
36	S36216100	1	INDEXモータハーネスクミ	MOTOR HARNESS ASSY, INDEX	
37	S51157000	1	トウブツウシンハーネスクミ	MAIN-HEAD PCB HARNESS ASSY	
38	S43018000	1	Hシユウタンクミ	TERMINATOR ASSY, H	
39	S51158000	1	ミシンモータハーネスクミ	M-PCB MOTOR HARNESS ASSY	
40	S36218200	1	イトマキハーネスクミ	B-WINDER HARNESS ASSY	
41	S11848000	4	コードクランプ#7	CORD CLAMP, 7N	
42	150349001	2	コードクランプ10	CORD CLAMP, 10-L	
43	150357001	2	コードクランプ13	CORD CLAMP, 13-L	
44	S09142000	1	コードクランプ20L	CORD CLAMP, 20-L	
45	SA3672001	2	コードクランプF1259	CORD CLAMP:F1259	
46	S21057000	2	コードブツシユ	CORD BUSH	
47	S49397000	1	コードブツシユMG-4	CORD BUSH, MG-4	
48	533923001	1	+ナベセムス3X14DB	SCREW, PAN (S/P WASHER) M3X14	
49	008400604	4	トラスコ4X6	SCREW, TRUSS M4X6	
50	S37059001	1	PEマーク	LABEL, PE	
51	S37060001	1	アースマーク	LABEL, GROUNDING	
52	S38353101	1	デンゲキラベル.ワ	LABEL, ELEC. SHOCK JPN.	
53	S38352101	1	デンゲキラベル.4カコク	LABEL, ELEC. SHOCK 4 LANG.	
54	S32954009	1	SWフタ	COVER, ;SWITCH	
55	S12481000	2	ナイラツチ	NYLATCH	
56	S49391009	1	セイギヨBOXカバー	CONTROL BOX COVER	
57	S36202000	1	ノイズフィルタMYW1205	NOISE FILTER, MYW1205	
58	0A5300605	2	+ナベザクミ3X6DB	SCREW, PAN (S/P WASHER) M3X6	
59	S44341000	1	PROM960MTクミ	EPROM ASSY, 960 MT	
61	S42946000	1	DCファンFBA06A24HS	FAN MOTOR, DC :FBA06A24HS	
62	S42947000	1	DCファンハーネスクミ	F-MOTOR HARNESS ASSY, DC	
63	S55595001	1	ファントリツケイタ	FAN SETTING PLATE	
64	UL0233001	2	+ナベセムス3X30DA	SCREW, PAN (S/P WASHER) M3X30	
65	0A5401006	1	+ナベザクミ4X10DB	SCREW, PAN (S/P WASHE) M4X10	
66	S52437000	1	ブレーカ-M5A	BREAKER, M :5A	
67	616415001	1	デンゲンラベル ショウ	LABEL, P-SUPPLY S	
68	S55988000	1	デンゲンコードコクガイ	POWER SUPPLY HARNESS, EX	

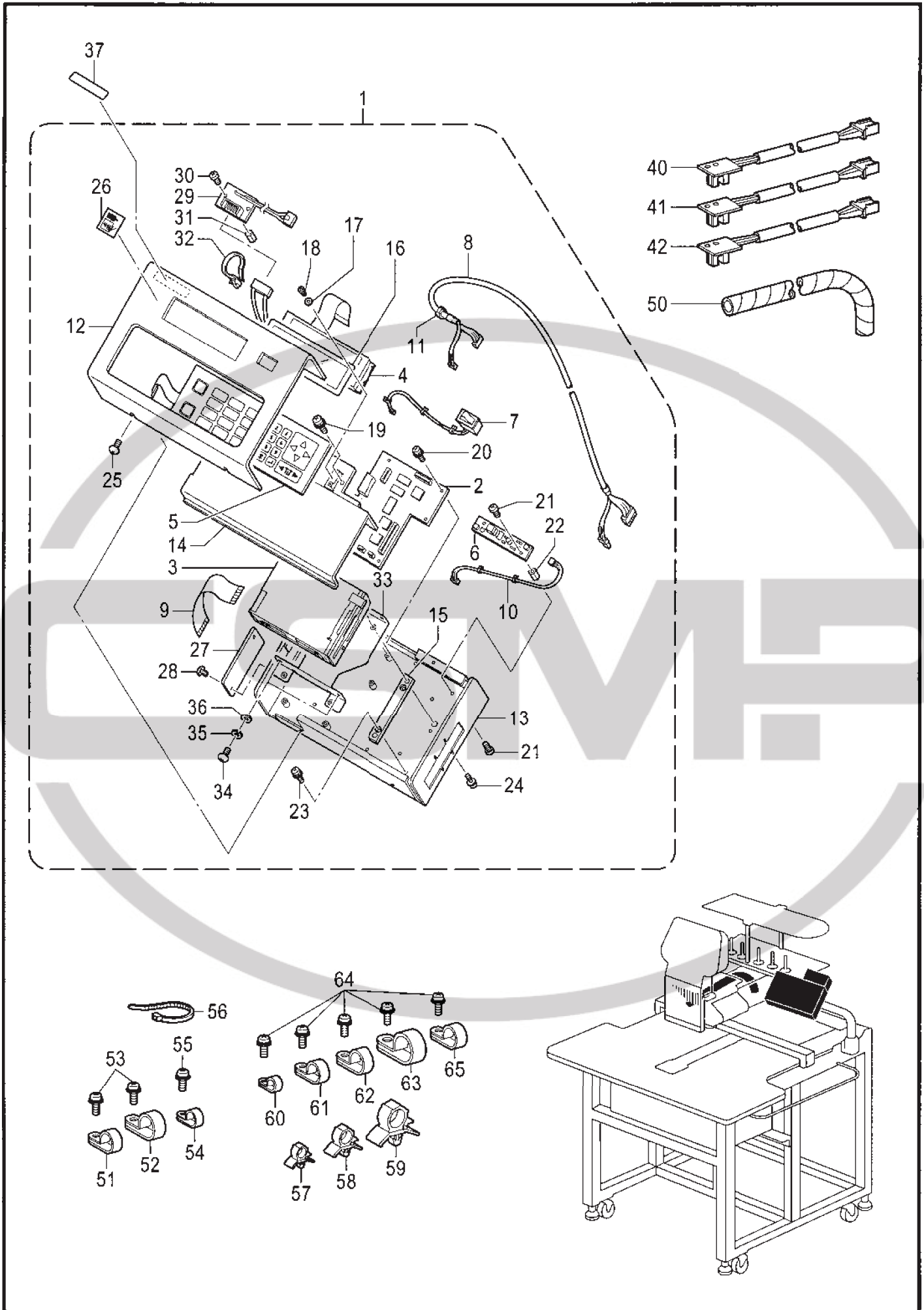
T2 . コントロールボックス関係(220V-240V用) / Control box mechanism(For 220V-240V)



## T2. コントロールボックス関係 (220V-240V用) / Control box mechanism(For 220V-240V)

REF.NO	CODE	QTY	品名	NAME OF PARTS	RM
69	008400604	5	トラスコ4X6	SCREW, TRUSS M4X6	
140	018061636	4	アナボルト6X16	BOLT, SOCKET M6X16	
141	025060236	4	ヒラザガネチユウ6	WASHER, PLAIN M 6	
142	028060246	4	パネザガネ2-6	WASHER, SPRING 2-6	
143	S04557000	1	パンタイPLT1M	BAND, PLT1M	

U1. 電装品関係 / Power supply equipment mechanism

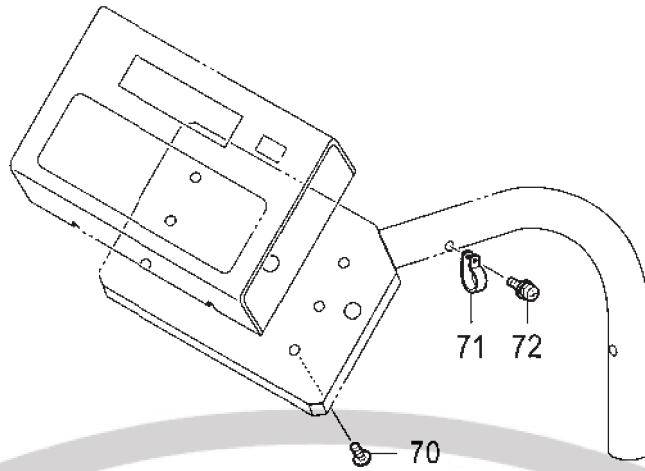


## U1. 電装品関係 / Power supply equipment mechanism

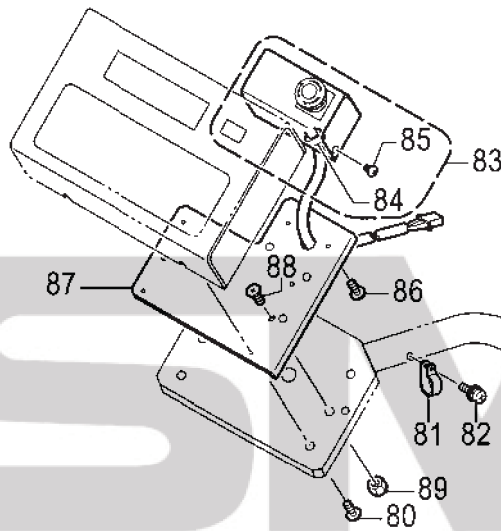
REF.NO	CODE	Q'TY	品名	NAME OF PARTS	RM
1	S55097301	1	ソウサパネルクミ1H	OPERATION PANEL ASSY, 1H	
2	S59001101	1	パネルキバンクミ	PANEL PCB ASSY, N	
3	XA9639001	1	FDDFD-05HG-5661	FDD:FD-05HG-5661	
4	S55002000	1	LCDモジュールR	LCD MODULE, R	
5	S45186001	1	シートスイッチクミ	SHEET SWITCH ASSY	
6	S59652000	1	LCDヨウインバーターF1A	INVERTER, LCD :F1A	
7	S45175000	1	キャップスイッチクミ	CAP SWITCH ASSY	
8	S51148000	1	パネルハーネスクミ	PANEL HARNESS ASSY	
9	XA9640001	1	FFCSML2CD-26	FLEXIBLE FLAT CABLE:SML2CD-26	
10	S45174000	1	インバーターハーネスクミ	INVERTER HARNESS ASSY	
11	S43270000	1	コードブツシュKR51	CORD BUSH, KR51	
12	S45179109	1	パネル	PANEL	
13	S58151109	1	パネルベース	PANEL BASE	
14	S58153101	1	シートキーサポート	SHEET KEY SUPPORT	
15	S45177000	2	スペーサプレート	SPACER PLATE	
16	S45176001	1	プレート	PLATE	
17	S46364001	4	ヒラザガネ1.6	WASHER, PLAIN 1.6	
18	S46833001	4	ナベネジM1.6X4	SCREW, PAN M1.6X4	
19	052400605	2	ナベコバネヒラ4X6	SCREW, PAN (S/P WASHER) M4X6	
20	052300605	5	ナベコバネヒラ3X6	SCREW, PAN (S/P WASHER) M3X6	
21	002260405	4	+ナベコ26X4	SCREW, PAN M2.6X4	
22	S46363000	2	スペーサL8	SPACER, L=8	
23	0A4300605	4	+ナベザクミ3X6DA	SCREW, PAN (S/P WASHER) M3X6	
24	0A4300805	4	+ナベザクミ3X8DA	SCREW, PAN (S/P WASHER) M3X8	
25	008400604	4	+トラスコ4X6	SCREW, TRUSS M4X6	
26	S43114001	1	ラベルBES(1)	LABEL, BES (1)	
27	S46362009	1	メカクシフタ	COVER PLATE	
28	008300504	2	+トラスコ3X5	SCREW, TRUSS M3X5	
29	S54783001	1	LCDチユウケイキバンクミ	RELAY PCB ASSY, LCD	
30	002260405	4	+ナベコ26X4	SCREW, PAN M2.6X4	
31	S46363000	2	スペーサL8	SPACER, L=8	
32	S55004000	1	スナップバンドSG110	SNAP BAND, SG110	
33	S58152001	1	FDDトリツケカナグ	FDD SETTING BRACKET	
34	002260505	4	+ナベコ26X5	SCREW, PAN M2.6X5	
35	028260245	4	バネザガネ2-2.6	WASHER, SPRING 2-2.6	
36	026260235	4	ヒラザガネミガキ2.6	WASHER, PLAIN M 2.6	
37	S59270001	1	ラベル0101	LABEL, 0101	
40	S36220001	1	センサキバンクミ	SENSOR PCB ASSY, CX	
41	S36220001	1	センサキバンクミ	SENSOR PCB ASSY, CX	
42	S36220001	1	センサキバンクミ	SENSOR PCB ASSY, CX	
50	S16452000	1	スパイラル450L	SPIRAL, 450L	
51	146202000	1	ナイロンクリップ	CORD HOLDER, 6N	
52	554482000	1	コードホルダ#12	CORD HOLDER, #12	
53	S21083001	5	+ナベコバネヒラ4X10	SCREW, PAN (S/P WASHER) M4X10	
54	S00480000	1	コードホルダ#5	CORD HOLDER, 5N	
55	S21083001	1	+ナベコバネヒラ4X10	SCREW, PAN (S/P WASHER) M4X10	
56	S04557000	1	パンタイPLT1M	BAND, PLT1M	
57	S11848000	1	コードクランプ#7	CORD CLAMP, 7N	
58	150349001	3	コードクランプ10	CORD CLAMP, 10-L	
59	S09142000	2	コードクランプ20L	CORD CLAMP, 20-L	
60	S10243000	1	ナイロンクランプNK-3N	CORD HOLDER, NK-3N	
61	149547000	2	コードオサエ	CORD HOLDER, 4N	
62	554482000	1	コードホルダ#12	CORD HOLDER, #12	
63	552908000	1	コードホルダ#14	CORD HOLDER, #14	
64	S21083001	5	+ナベコバネヒラ4X10	SCREW, PAN (S/P WASHER) M4X10	
65	552907000	3	コードホルダ#10	CORD HOLDER, #10	

U2. 電装品関係 / Power supply equipment mechanism

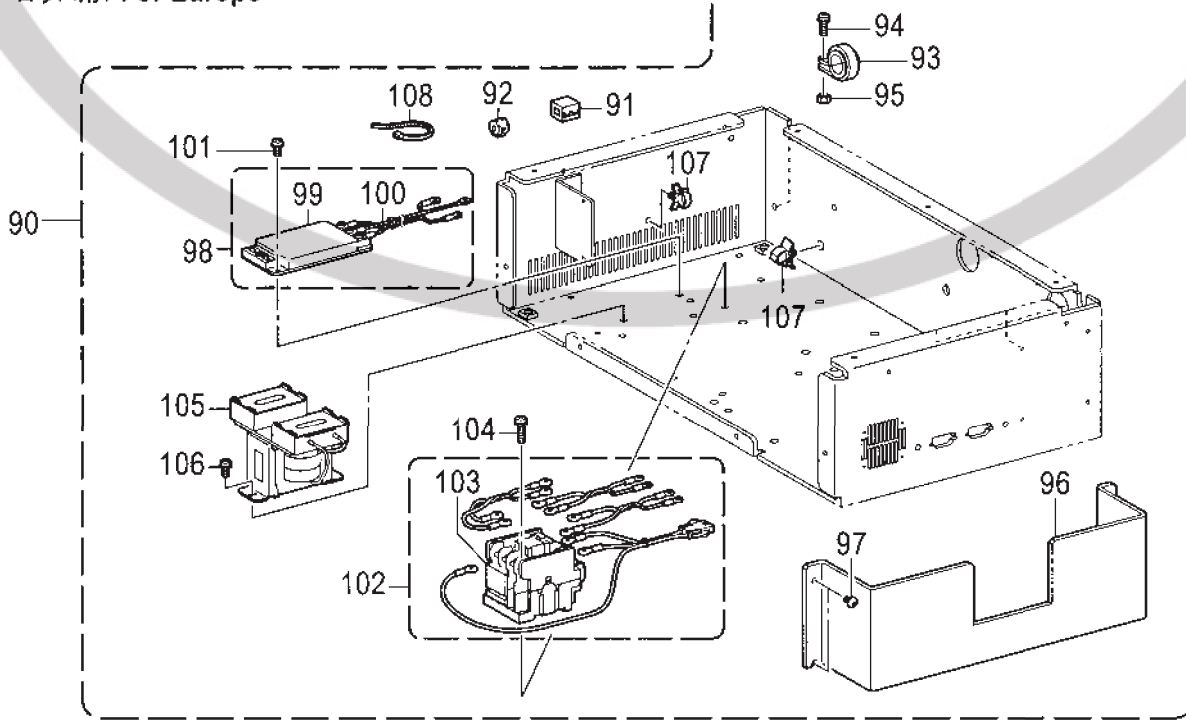
< USA 一般用 / For USA & general >



< ヨーロッパ用 / For Europe >



< ヨーロッパ用 / For Europe >

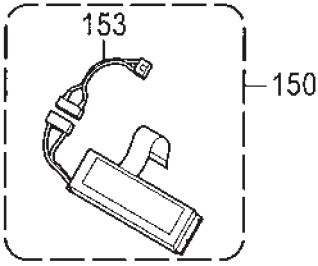


U2. 電装品関係 / Power supply equipment mechanism

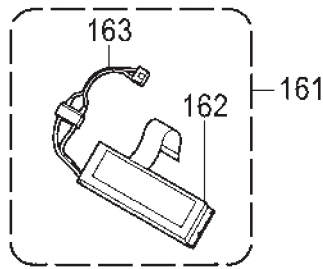
REF.NO	CODE	Q'TY	品名	NAME OF PARTS	RM
			<USA & 一般用>	<For USA & general>	
70	008400604	4	+トラスコ4X6	SCREW, TRUSS M4X6	
71	S00480000	4	コードホルダ#5	CORD HOLDER, 5N	
72	S21083001	4	+ナベコバネヒラ4X10	SCREW, PAN (S/P WASHER) M4X10	
			<ヨーロッパ用>	<For Europe>	
80	008400806	4	+トラスコ4X8	SCREW, TRUSS M4X8	
81	149287000	4	ナイロンクランプ	CORD HOLDER, 7N	
82	S21083001	4	+ナベコバネヒラ4X10	SCREW, PAN (S/P WASHER) M4X10	
83	S52026001	1	EMシヤダンSWクミ	CUT OFF SWITCH ASSY, EM	
84	S43270000	1	コードブツシユKR51	CORD BUSH, KR51	
85	008400604	3	+トラスコ4X6	SCREW, TRUSS M4X6	
86	008400604	2	+トラスコ4X6	SCREW, TRUSS M4X6	
87	S49414009	1	スイッチボックスプレート	SWITCH BOX SETTING PLATE	
88	004400803	2	+サラコ4X8	SCREW, FLAT M4X8	
89	021400106	2	1シユナツト4	NUT, 1 M4	
			<ヨーロッパ用>	<For Europe>	
90	S52033002	1	シシユウEMCセット1H	EMC SET, 1H	
91	S52163000	4	コアNF-130	CORE, NF-130	
92	S52166000	18	コアNFR-161608	CORE, NFR-161608	
93	S52164000	1	コアNFC-28	CORE, NFC-28	
94	0A5401605	1	+ナベザクミ4X16DB	SCREW, PAN (S/P WASHE) M4X16	
95	021400106	1	1シユナツト4	NUT, 1 M4	
96	S36457000	1	カバーB	COVER, B	
97	008400806	4	+トラスコ4X8	SCREW, TRUSS M4X8	
98	S47341200	1	ノイズフィルタEMCクミン	NOISE FILTER ASSY, N :EMC	
99	S47342000	1	ノイズフィルタ6A	NOISE FILTER, 6A	
100	S47343200	1	フィルタハーネス	FILTER HARNESS	
101	0A4400806	4	+ナベザクミ4X8DA	SCREW, PAN (S/P WASHER) M4X8	
102	S51160000	1	コンタクタS-N10クミ	CONNECTOR ASSY, S-N10	
103	S46551000	1	コンタクタS-N10 AC12	CONNECTOR:S-N10 AC12	
104	0A5401605	2	+ナベザクミ4X16DB	SCREW, PAN (S/P WASHE) M4X16	
105	S51156000	1	トランス18VA	TRANSFORMER, 18VA	
106	0A4400806	2	+ナベザクミ4X8DA	SCREW, PAN (S/P WASHER) M4X8	
107	S11848000	2	コードクランプ#7	CORD CLAMP, 7N	
108	S04557000	2	パンタイPLT1M	BAND, PLT1M	

U3 . 電装品関係 (オプション, 補給用) / Power supply equipment mechanism (Option & Supply parts)

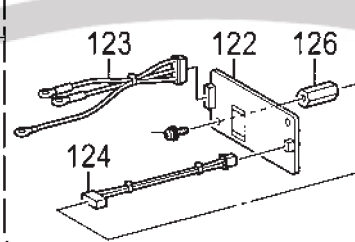
< 水銀警告地域用 /  
For Mercury Warning Area >



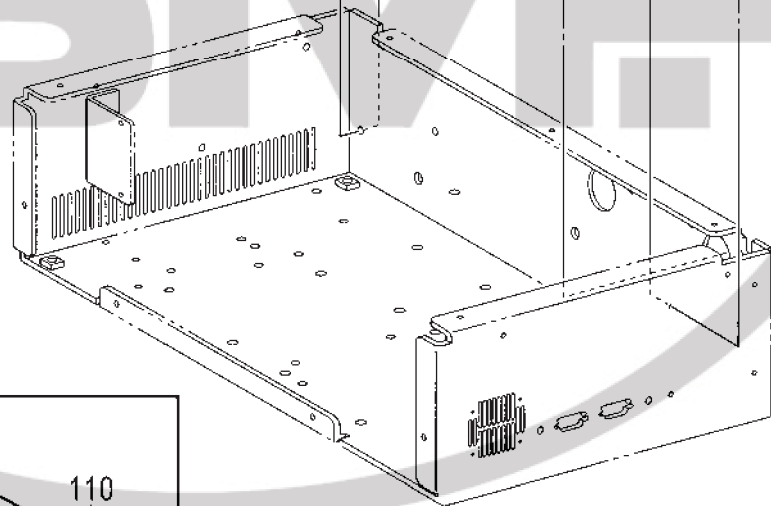
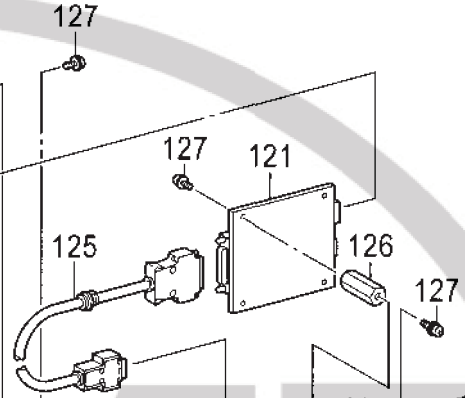
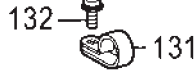
< 水銀警告地域以外用 /  
For Non-Mercury Warning Area >



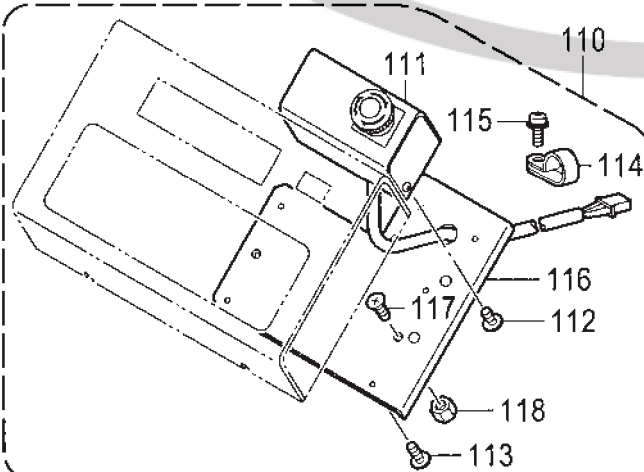
120  
< ヨーロッパ用 / For Europe >



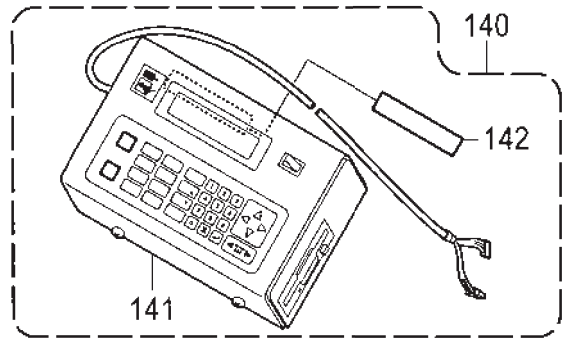
130  
< USA一般用 / For USA & general >



< USA一般用 / For USA & general >

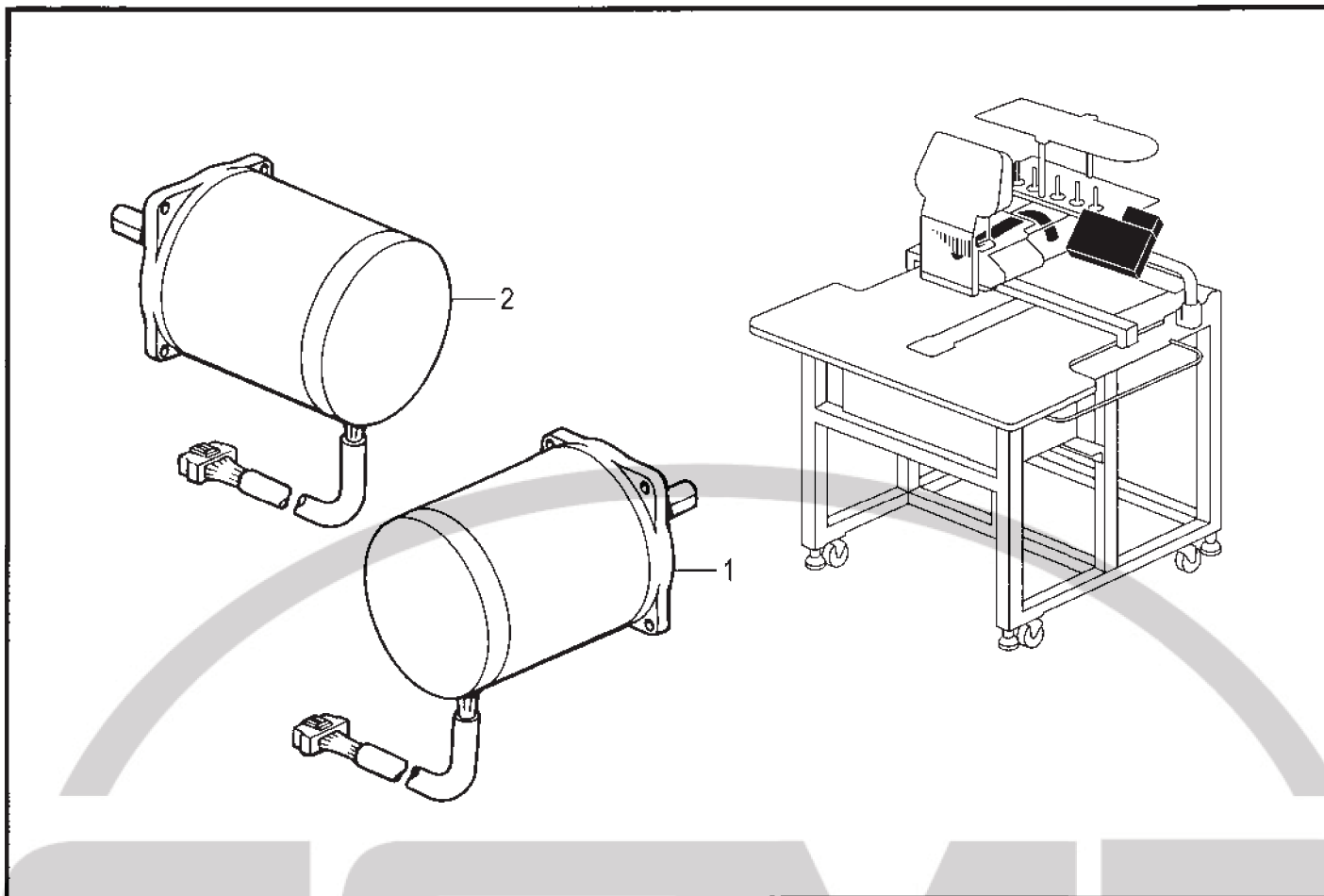


< 水銀警告地域用 / For Mercury Warning Area >



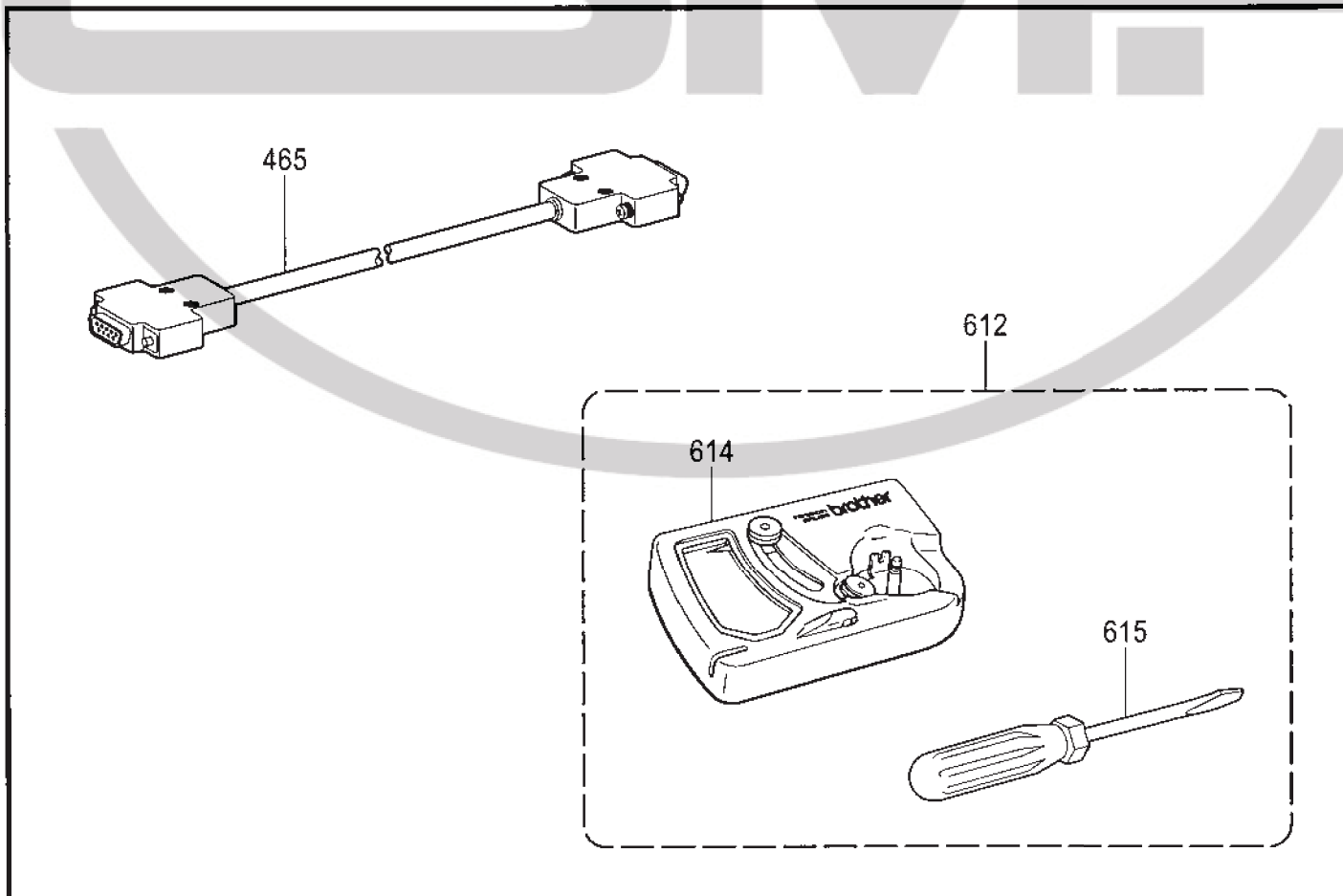
U3. 電装品関係(オプション, 補給用) / Power supply equipment mechanism (Option & Supply parts)

REF.NO	CODE	Q'TY	品名	NAME OF PARTS	RM
			<USA & 一般用>	<For USA & general>	
110	SA4504001	1	EMSWセット	SWITCH SET, EM	
111	S52027001	1	EMSWクミ	SWITCH ASSY, EM	
112	008400604	2	+トラスコ4X6	SCREW, TRUSS M4X6	
113	008400806	4	+トラスコ4X8	SCREW, TRUSS M4X8	
114	149287000	4	ナイロンクランプ	CORD HOLDER, 7N	
115	S21083000	4	+ナベコバネヒラ4X10	SCREW, PAN (S/P WASHER) 4X10	
116	S49414009	1	スイッチボックスプレート	SWITCH BOX SETTING PLATE	
117	004400803	2	+サラコ4X8	SCREW, FLAT M4X8	
118	021400106	2	1シュナツト4	NUT, 1 M4	
			<ヨーロッパ用>	<For Europe>	
120	S51916001	1	ネットワークセット1H	NETWORK SET, 1H	
121	S52765000	1	CA-CXキバンクミ	PCB ASSY, CA-CX	
122	S52766000	1	SWデンゲンVS10B-5	POWER PCB, SW :VS10B-5	
123	S52767000	1	トランスハーネスNクミ	TRANSFORMER HARNESS ASSY, N	
124	S52768000	1	デンゲンハーネスNクミ	POWER SUPPLY HARNESS ASSY, N	
125	S52769000	1	DOSVRSケーブルクミ	RS CABLE ASSY, DOS/V	
126	S46533000	6	スペーサ12	SPACER, 12	
127	533527002	12	+ナベセムス3X8DB	SCREW, PAN (S/P WASHER) M3X8	
			<USA & 一般用>	<For USA & general>	
130	S51916002	1	ネットワークセット1H	NETWORK SET, 1H	
121	S52765000	1	CA-CXキバンクミ	PCB ASSY, CA-CX	
122	S52766000	1	SWデンゲンVS10B-5	POWER PCB, SW :VS10B-5	
123	S52767000	1	トランスハーネスNクミ	TRANSFORMER HARNESS ASSY, N	
124	S52768000	1	デンゲンハーネスNクミ	POWER SUPPLY HARNESS ASSY, N	
125	S52769000	1	DOSVRSケーブルクミ	RS CABLE ASSY, DOS/V	
126	S46533000	6	スペーサ12	SPACER, 12	
127	533527002	12	+ナベセムス3X8DB	SCREW, PAN (S/P WASHER) M3X8	
131	149287000	4	ナイロンクランプ	CORD HOLDER, 7N	
132	S21083000	4	+ナベコバネヒラ4X10	SCREW, PAN (S/P WASHER) 4X10	
			<水銀警告地域用>	<For Mercury Warning Area>	
140	S55989201	1	MBソウサパネルクミ1H	PERATION PANEL ASSY, 1H :MB	
141	S55097301	1	ソウサパネルクミ1H	OPERATION PANEL ASSY, 1H	
142	S52582001	1	スイギンケイコクラベルP2	MERCURY WARNING LABEL 14X70 P2	
			<水銀警告地域用>	<For Mercury Warning Area>	
150	S53127101	1	MBLCDモジュールクミ	LCD MODELE ASSY, MB	
153	S55003000	1	LCDエンチヨウハーネス	RELAY HARNESS, LCD	
			<水銀警告地域以外用>	<For Non-Mercury Warning Area>	
161	S55001001	1	LCDモジュールRクミ	LCD MODULE ASSY, R	
162	S55002000	1	LCDモジュールR	LCD MODULE, R	
163	S55003000	1	LCDエンチヨウハーネス	RELAY HARNESS, LCD	



BE-0901E/1201B-650

W. 付属装置関係 (オプション部品) / Attachment set (Option parts)



BE-0901E/1201B-940

V. モータ関係 / Motor mechanism

REF.NO	CODE	QTY	品名	NAME OF PARTS	RM
1	S36230201	1	パルスモータクミ	PULSE MOTOR ASSY	
2	S36230202	1	パルスモータクミ	PULSE MOTOR ASSY	

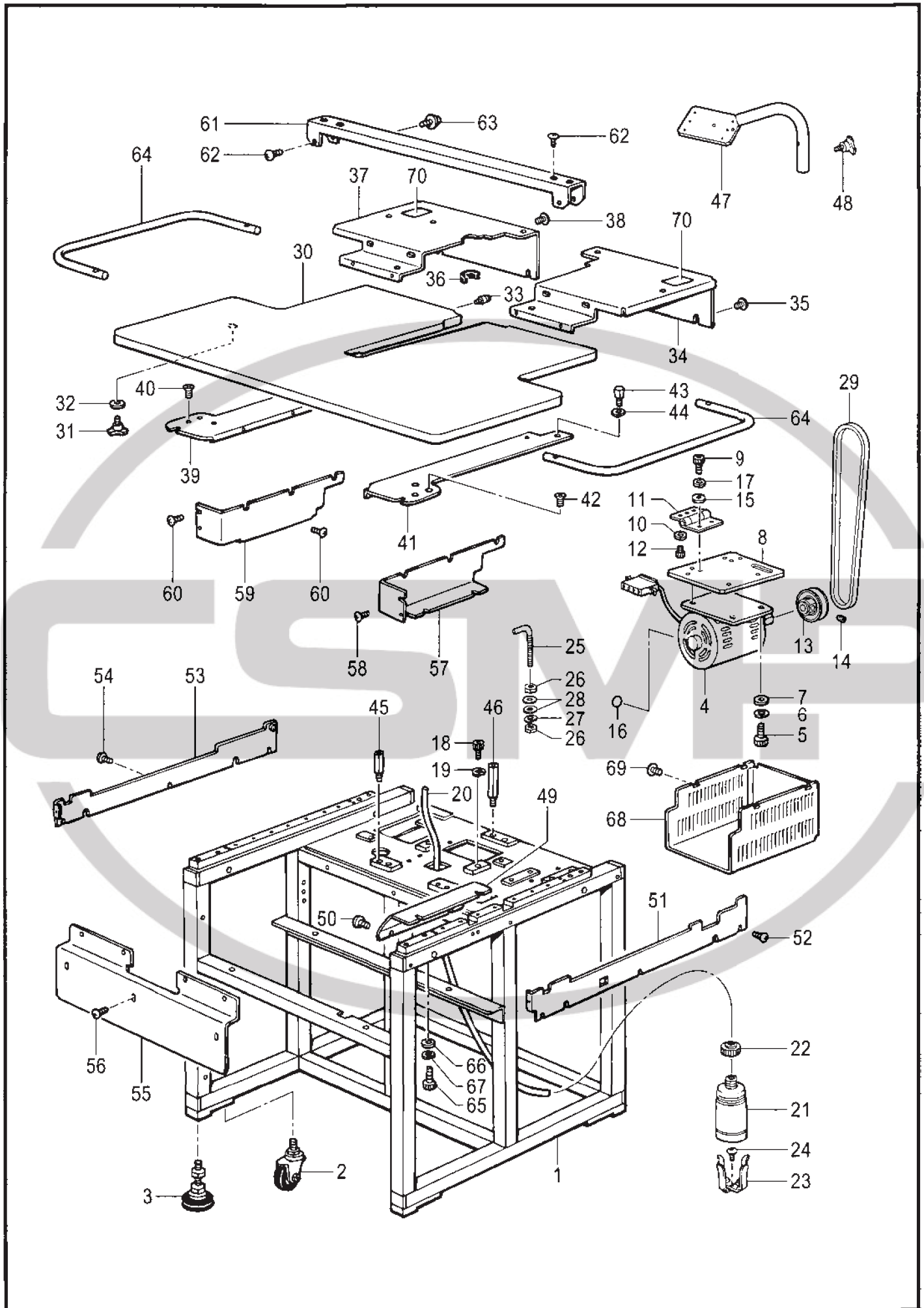
BE-0901E/1201B-650

W. 付属装置関係 (オプション部品) / Attachment set (Option parts)

REF.NO	CODE	QTY	品名	NAME OF PARTS	RM
465	S47059000	1	<BE-100, BE-200用> DOSVハーネス5Mクミ	<For BE-100 & BE-200> DOSV HARNESS ASSY, 5M	
612	SA2999001	1	ゲージTM-3クミ	GUAGE TM-3 ASSY	
614	S59636000	1	テンションゲージTM-3	TENTION GUAGE, TM-3	
615	142443001	1	ネジマワシ1.9X52	SCREW-DRIVER, 1.9X52	

BE-0901E/1201B-940

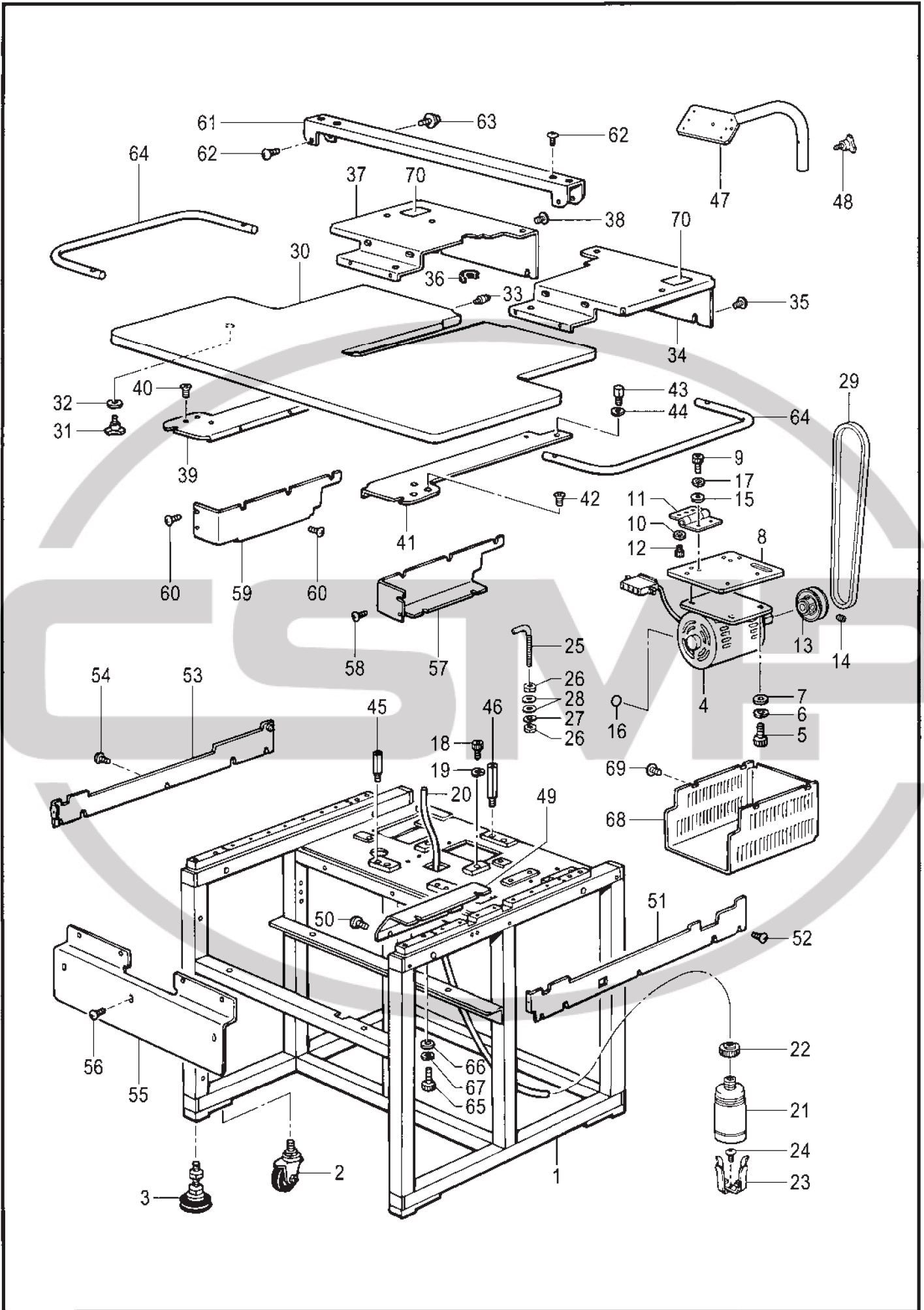
X. 動力台關係 / Power table



BE-0901E/1201B-652

## X. 動力台関係 / Power table

REF.NO	CODE	QTY	品名	NAME OF PARTS	RM
1	S36452309	1	キヤク	STAND	
2	S55092000	4	キヤスター	CASTER	
3	S36470000	4	アジャスター-20	ADJUSTER, 20	
4	S55248001	1	3ソウモータ200Vクミ	MOTOR ASSY, 3P-200V AC	
5	018061036	4	アナボルト6X10	BOLT, SOCKET M6X10	
6	028060246	4	バネザガネ2-6	WASHER, SPRING 2-6	
7	025060336	4	ヒラザガネダイ6	WASHER, PLAIN L 6	
8	S36466201	1	モーターベース	MOTOR BASE	
9	018501036	4	アナボルト5X10	BOLT, SOCKET M5X10	
10	028050246	4	バネザガネ2-5	WASHER, SPRING 2-5	
11	S48381000	2	チヨウバンB	HINGE, B	
12	018501036	4	アナボルト5X10	BOLT, SOCKET M5X10	
13	S53900001	1	N65プーリー	PULLEY, N65	
14	014761030	2	アナクボミ595-28X10	SET SCREW, SOCKET SM5.95-28X10	
15	025050236	4	ヒラザガネチユウ5	WASHER, PLAIN M 5	
16	S37060001	1	ア-スマーク	LABEL, GROUNDING	
17	028050246	4	バネザガネ2-5	WASHER, SPRING 2-5	
18	018082536	4	アナボルト8X25	BOLT, SOCKET M8X25	
19	028080246	4	バネザガネ2-8	WASHER, SPRING 2-8	
20	S21064000	1	ビニルチューブ	VINYL TUBE	
21	114486002	1	ポリオイラータイ	OILER	
22	144508001	1	ポリオイラーノズルトメ	CAP	
23	133172003	1	アブラサシダイ	OILER BASE	
24	008400604	1	+トラスコ4X6	SCREW, TRUSS M4X6	
25	S53204001	1	LガタボルトM10	BOLT, L-TYPE M10	
26	021100206	2	2シユナツト10	NUT, 2 M10	
27	028100246	1	バネザガネ2-10	WASHER, SPRING 2-10	
28	025100236	2	ヒラザガネチユウ10	WASHER, PLAIN L 10	
29	S18707141	1	VベルトMシロ	BELT, VM WHITE	
30	S36442009	1	テーブルイタ	TABLE PLATE	
31	S55277001	2	ツマミボルトM6	THUMB BOLT, M6	
32	025060236	2	ヒラザガネチユウ6	WASHER, PLAIN M 6	
33	S15321001	4	ピン	PIN	
34	S36445109	1	テーブルR	TABLE, R	
35	008400604	5	+トラスコ4X6	SCREW, TRUSS M4X6	
36	S36441001	1	ゴムブツシユ	RUBBER BUSH	
37	S36446009	1	テーブルL	TABLE, L	
38	008400604	5	+トラスコ4X6	SCREW, TRUSS M4X6	
39	S36444001	1	テーブルウケL	TABLE SUPPORT, L	
40	004400803	3	+サラコ4X8	SCREW, FLAT M4X8	
41	S36443001	1	テーブルウケR	TABLE SUPPORT, R	
42	004400803	3	+サラコ4X8	SCREW, FLAT M4X8	
43	S21056001	2	スペースネジM6-4	SPACER SCREW, M6-4	
44	028060246	2	バネザガネ2-6	WASHER, SPRING 2-6	
45	S36478001	2	ポストS	POST, S	
46	S36454001	2	ポストL	POST, L	
47	S49392209	1	キーボードダイ	KEYBOARD BASE	
48	149483001	1	ツマミボルトM6	KNOB BOLT, M6	
49	S36455109	2	タナカバー	SHELF COVER	
50	008400604	4	+トラスコ4X6	SCREW, TRUSS M4X6	
51	S36447009	1	カバーRU	COVER, RU	
52	008400604	4	+トラスコ4X6	SCREW, TRUSS M4X6	
53	S36448009	1	カバーLU	COVER, LU	
54	008400604	4	+トラスコ4X6	SCREW, TRUSS M4X6	
55	S36451109	1	カバーF	COVER, F	
56	008400604	7	+トラスコ4X6	SCREW, TRUSS M4X6	
57	S36449009	1	カバーLR	COVER, LR	
58	008400604	7	+トラスコ4X6	SCREW, TRUSS M4X6	
59	S36450009	1	カバーLL	COVER, LL	
60	008400604	7	+トラスコ4X6	SCREW, TRUSS M4X6	
61	S15243209	1	キヤリツジカバー	CARRIAGE COVER	
62	008400604	6	+トラスコ4X6	SCREW, TRUSS M4X6	



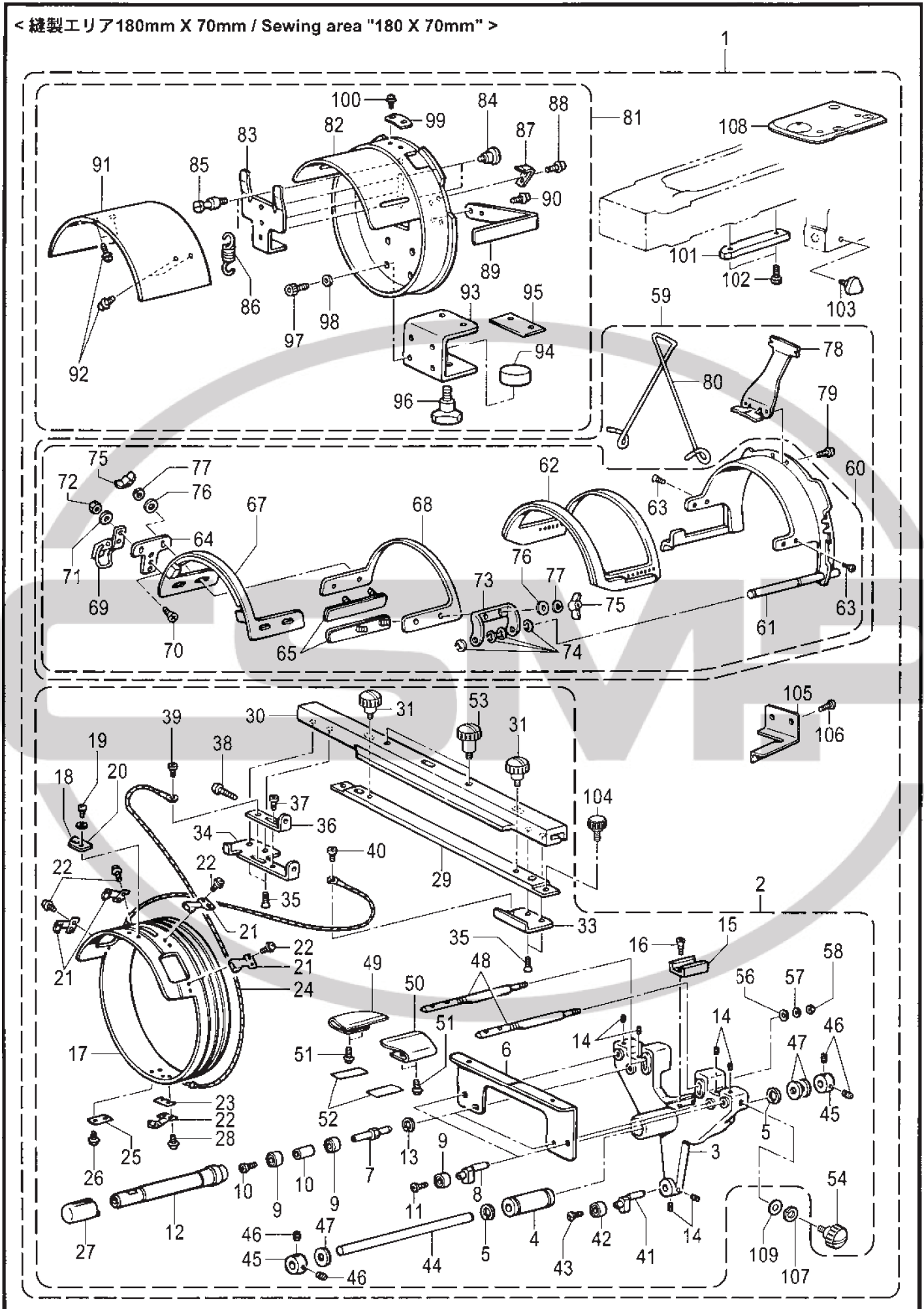
## X. 動力台関係 / Power table

REF.NO	CODE	Q'TY	品名	NAME OF PARTS	RM
63	052400606	4	ナベコパネヒラ4X6	SCREW, PAN (S/P WASHER) M4X6	
64	S21055151	2	ガードバー	GUARD BAR	
65	018061636	4	アナボルト6X16	BOLT, SOCKET M6X16	
66	025060236	4	ヒラザガネチユウ6	WASHER, PLAIN M 6	
67	028060246	4	パネザガネ2-6	WASHER, SPRING 2-6	
68	S36456000	1	モーターカバー	MOTOR COVER	
69	008400604	4	トラスコ4X6	SCREW, TRUSS M4X6	
70	S17069000	2	シール(1)	SEAL, 1	

BE-0901E/1201B-652

Y1 . 帽子枠装置 (オプション部品; 180 X 70mm) / Cap frame device (Option parts ; 180 X 70mm)

< 縫製エリア180mm X 70mm / Sewing area "180 X 70mm" >



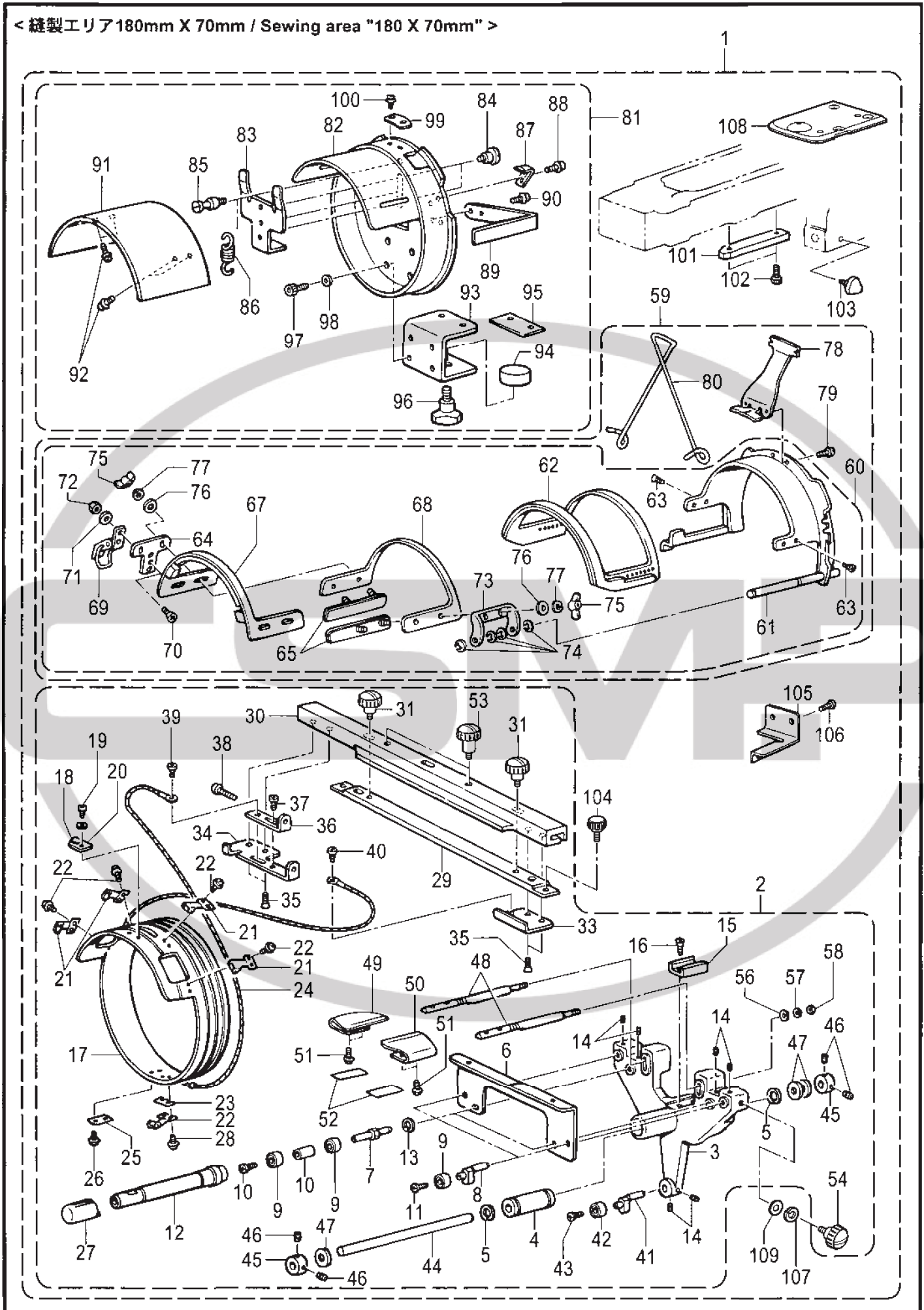
BE-0901E/1201B-940

Y1. 帽子枠装置 (オプション部品 ; 180X70mm) / Cap frame device (Option parts ; 180X70mm)

REF.NO	CODE	QTY	品名	NAME OF PARTS	RM
1	S52829001	1	ボウシワク1セットSWN2	CAP FRAME DEVICE SET, 1 :SWN2	
2	S44351101	1	ドライバークミ	DRIVER ASSY	
3	S44251000	1	ガイドアームW	GUIDE ARM, W	
4	S32862000	1	リニアボールベアリング	BALL BEARING, ;LINEAR	
5	S36498001	2	トメワアナヨウC21	RETAINING RING, INTERNAL C21	
6	S44253000	1	ベースガイドイタ	BASE GUIDE PLATE	
7	S44248001	2	コロヨウピンA	PIN, A	
8	S44344001	2	コロヨウピンD	PIN, D	
9	070606800	6	Rタマジクウケ606ZZ	BALL BEARING, RADIAL 606ZZ	
10	S44249001	2	カラ	COLLAR	
11	060400616	4	バインド4X6	SCREW, BIND M4X6	
12	S44638000	2	ローラ	ROLLER	
13	048170242	2	トメワアナヨウC17	RETAINING RING, INTERNAL C17	
14	012500832	6	アナヒラ5X8	SET SCREW, SOCKET (FT) M5X8	
15	S32859000	1	レールブロック	RAIL BLOCK	
16	004401003	2	+サラコ4X10	SCREW, FLAT M4X10	
17	S44655001	1	クドウリングW	DRIVING RING, W	
18	S39497101	1	ベースイチギメイタW	BASE POSITIONING PLATE, W	
19	062300416	2	ナベコ3X4	SCREW, PAN M3X4	
20	025030236	2	ヒラザガネチュウ3	WASHER, PLAIN M 3	
21	S32871100	5	ローラベースクミ	ROLLER BASE ASSY	
22	U08671003	8	+ナベセムス3X5DB	SCREW, PAN (S/P WASHER) M3X5	
23	S41223000	1	ローラベーススペーサ	SPACER	
24	S42583000	1	ワイヤWB	WIRE, WB	
25	144784002	1	キジオサエザガネ	WASHER	
26	U08671003	1	+ナベセムス3X5DB	SCREW, PAN (S/P WASHER) M3X5	
27	S44640000	2	オクリローラ	FEEDING ROLLER	
28	052300606	2	ナベコバネヒラ3X6	SCREW, PAN (S/P WASHER) M3X6	
29	S43486000	1	ボウシワクサツシトリツケイタ	SETTING PLATE, C-FRAME SASH	
30	S43487101	1	ボウシワクサツシ	CAP FRAME SASH	
31	S44262001	2	ツマミネジM5	SCREW, KNOB M5	
33	S43490001	1	ワイヤベースR	WIRE BASE, R	
34	S43489001	1	ワイヤベースL	WIRE BASE, L	
35	004400814	4	+サラコ4X8	SCREW, FLAT M4X8	
36	S43491001	1	ワイヤカケ	WIRE HOOK	
37	060400616	1	バインド4X6	SCREW, BIND M4X6	
38	062402016	1	ナベコ4X20	SCREW, PAN M4X20	
39	060400616	1	バインド4X6	SCREW, BIND M4X6	
40	060400416	1	バインド4X4	SCREW, BIND M4X4	
41	S44344001	1	コロヨウピンD	PIN, D	
42	070606800	1	Rタマジクウケ606ZZ	BALL BEARING, RADIAL 606ZZ	
43	060400616	1	バインド4X6	SCREW, BIND M4X6	
44	S32863001	1	アームアンナイボウ	ARM GUIDE BAR	
45	S04438001	2	セットカラ	SET SCREW COLLAR	
46	012060632	4	アナヒラ6X6	SET SCREW, SOCKET (FT) M6X6	
47	S32870000	3	ストツパゴム	STOPPER RUBBER	
48	S44246000	2	ボウシササエイタヨウボウ	CAP HOLDER PLATE BAR	
49	S44643000	1	ボウシササエイタL	CAP HOLDER PLATE, L	
50	S44644000	1	ボウシササエイタR	CAP HOLDER PLATE, R	
51	0A5400806	4	+ナベザクミ4X8DB	SCREW, PAN (S/P WASHER) M4X8	
52	S44636000	2	ボウシササエイタテープ	C-HOLDER PLATE TAPE	
53	S44261001	2	ツマミネジM4	SCREW, KNOB M4	
54	S44262001	1	ツマミネジM5	SCREW, KNOB M5	
56	025060236	2	ヒラザガネチュウ6	WASHER, PLAIN M 6	
57	028060246	2	バネザガネ2-6	WASHER, SPRING 2-6	
58	021060206	2	2シユナツト6	NUT, 2 M6	

Y1. 帽子枠装置 (オプション部品; 180 X 70mm) / Cap frame device (Option parts ; 180 X 70mm)

< 縫製エリア180mm X 70mm / Sewing area "180 X 70mm" >

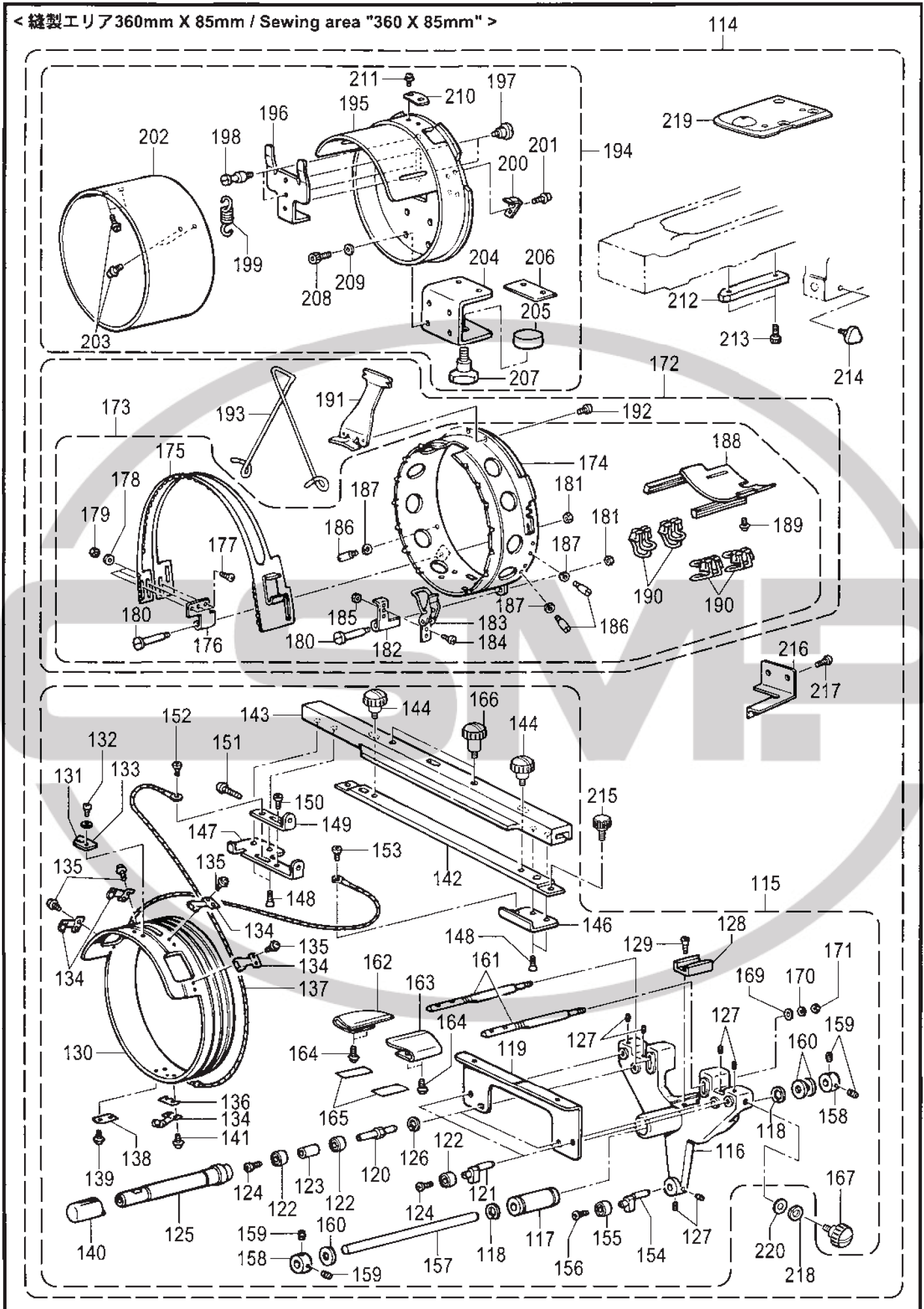


## Y1. 帽子枠装置 (オプション部品 ; 180X70mm) / Cap frame device (Option parts ; 180X70mm)

REF.NO	CODE	QTY	品名	NAME OF PARTS	RM
59	S44352001	2	セミセットワクAクミ	SEMI-SETTING FRAME ASSY, A	
60	S53088001	2	セミセットワククミ	SEMI-SETTING FRAME ASSY	
61	S39469101	2	ベースワクAクミ180W	BASE FRAME ASSY, A 180W	
62	S39471101	2	ベースワクBSクミ180W	BASE FRAME ASSY, BS 180W	
63	S32861016	8	サラコ26X3	SCREW, FLAT M2.6X3	
64	S39474100	2	フタワクB180W	FRAME COVER, B 180W	
65	S32890001	4	ボルトベースクミ	BOLT BASE ASSY	
67	S39475100	2	フタワクASクミ180W	FRAME COVER ASSY, AS 180W	
68	S32896001	2	クランプベース	CLAMP BASE	
69	S32897000	2	パチンジョウ	SNAP LOCK	
70	061300616	4	サラコ3X6	SCREW, FLAT M3X6	
71	026030236	4	ヒラザガネミガキ3	WASHER, PLAIN M 3	
72	021300203	4	2シュナツト3	NUT, 2 M3	
73	S32898001	2	フタワクカナグ	HINGE	
74	048050346	8	トメワE5	RETAINING RING, E5	
75	S32866000	8	チョウナツト3	WING NUT, M3	
76	026030236	8	ヒラザガネミガキ3	WASHER, PLAIN M 3	
77	028030246	8	バネザガネ2-3	WASHER, SPRING 2-3	
78	S32886101	2	ツバウケベース	VISOR HOLDER BASE	
79	062300506	4	ナベコ3X5	SCREW, PAN M3X5	
80	S35551001	2	ツバオサエゴム	RUBBER	
81	S44861001	1	セットワクゲージセミクミ	SETTING FRAME GAUGE ASSY, SEMI	
82	S44841001	1	ゲージリングクミ	GAUGE RING ASSY	
83	S44851001	1	ワクストツパーイタ	FRAME STOPPER PLATE	
84	S44847001	2	ダンネジ5	SHOULDER SCREW, M5	
85	S44848001	2	バネカケ	SPRING HOOK	
86	S44849001	1	ヒキバネ	SPRING, EXTENSION	
87	S44852000	2	ワクホジイタ	FRAME HOLDER PLATE	
88	0A5400806	4	+ナベザクミ4X8DB	SCREW, PAN (S/P WASHER) M4X8	
89	S44854001	1	フタワクカケ	COVER FRAME HOOK	
90	0A5400806	2	+ナベザクミ4X8DB	SCREW, PAN (S/P WASHER) M4X8	
91	S44859001	1	ゲージナライイタS	GAUGE COPYING PLATE, S	
92	052400606	4	ナベコバネヒラ4X6	SCREW, PAN (S/P WASHER) M4X6	
93	S44846001	1	セットワククランプ	CLAMPER	
94	S39499000	1	セットワクゴムW	SET FRAME RUBBER, W	
95	S44853001	1	セットワクザガネW	WASHER	
96	S16691000	1	ノブボルト8X25	KNOB BOLT, M8X25	
97	018500836	4	アナボルト5X8	BOLT, SOCKET M5X8	
98	025050236	4	ヒラザガネチユウ5	WASHER, PLAIN M 5	
99	S44860001	1	ワクイチギメイタ	FRAME POSITIONING PLATE	
100	U08671003	2	+ナベセムス3X5DB	SCREW, PAN (S/P WASHER) M3X5	
101	S32858001	1	レールダイ	RAIL BRACKET	
102	018401036	2	アナボルト4X10	BOLT, SOCKET M4X10	
103	S55277001	1	ツマミボルトM6	THUMB BOLT, M6	
104	S55276001	2	ツマミネジM5	THUMB SCREW, M5	
105	S44345001	1	ア-ムクドウウデ1	DRIVING ARM, 1	
106	060400816	2	バインド4X8	SCREW, BIND M4X8	
107	028050246	1	バネザガネ2-5	WASHER, SPRING 2-5	
108	S51247001	1	ボウシヨウハリイタN	C-FRAME NEEDLE PLATE, N	
109	025050236	1	ヒラザガネチユウ5	WASHER, PLAIN M 5	

Y2 . 帽子枠装置 (オプション部品; 360 X 85mm) / Cap frame device (Option parts ; 360 X 85mm)

< 縫製エリア360mm X 85mm / Sewing area "360 X 85mm" >



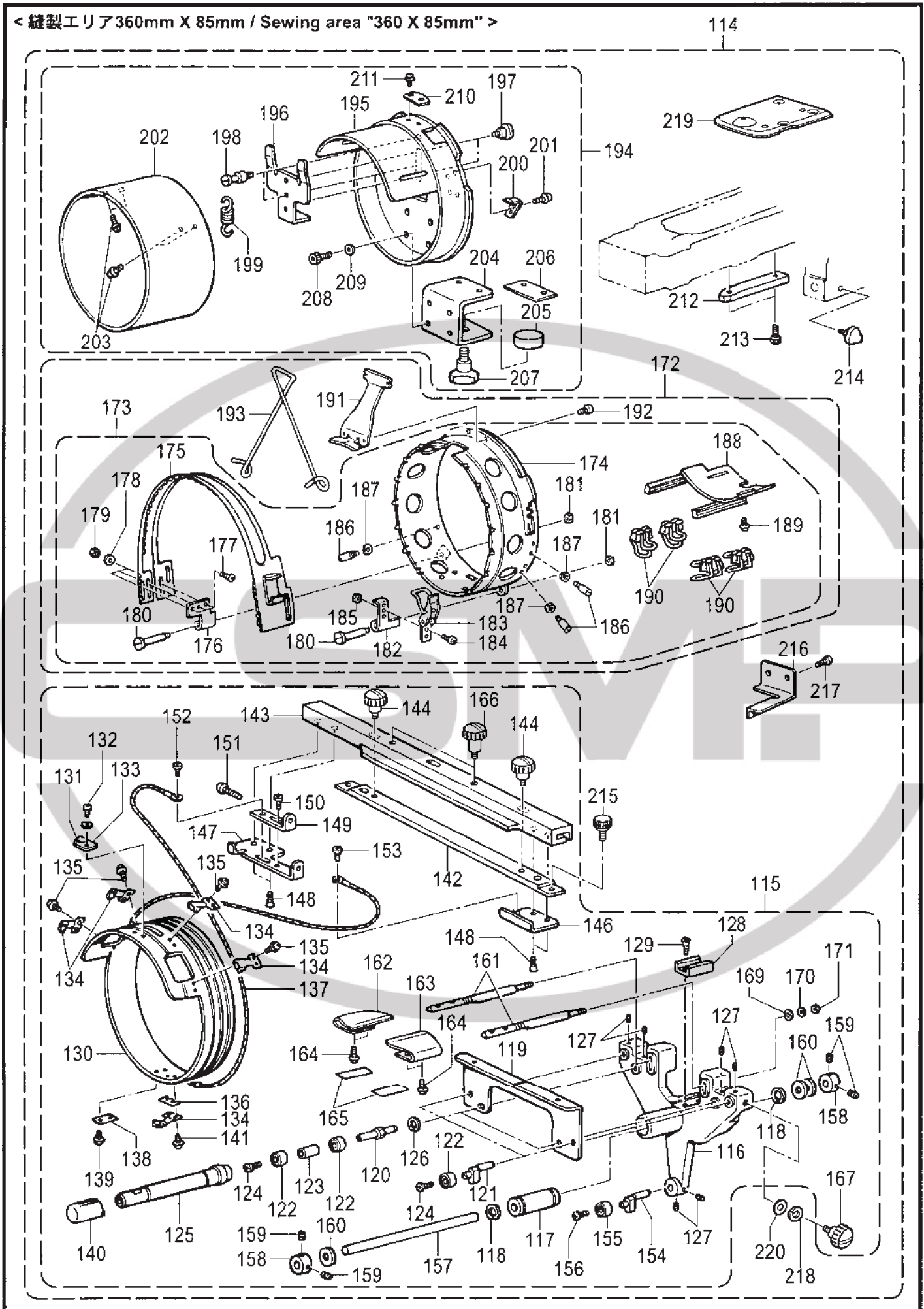
BE-0901E/1201B-940

Y2. 帽子枠装置 (オプション部品 ; 360X85mm) / Cap frame device (Option parts ; 360X85mm)

REF.NO	CODE	QTY	品名	NAME OF PARTS	RM
114	S52830001	1	ボウシワク1セットWN2	CAP FRAME DEVICE SET, 1 :WN2	
115	S44351101	1	ドライバークミ	DRIVER ASSY	
116	S44251000	1	ガイドアームW	GUIDE ARM, W	
117	S32862000	1	リニアボールベアリング	BALL BEARING, ;LINEAR	
118	S36498001	2	トメワアナヨウC21	RETAINING RING, INTERNAL C21	
119	S44253000	1	ベースガイドイタ	BASE GUIDE PLATE	
120	S44248001	2	コロヨウピンA	PIN, A	
121	S44344001	2	コロヨウピンD	PIN, D	
122	070606800	6	Rタマジクウケ606ZZ	BALL BEARING, RADIAL 606ZZ	
123	S44249001	2	カラ-	COLLAR	
124	060400616	4	バインド4X6	SCREW, BIND M4X6	
125	S44638000	2	ローラ-	ROLLER	
126	048170242	2	トメワアナヨウC17	RETAINING RING, INTERNAL C17	
127	012500832	6	アナヒラ5X8	SET SCREW, SOCKET (FT) M5X8	
128	S32859000	1	レールブロック	RAIL BLOCK	
129	004401003	2	+サラコ4X10	SCREW, FLAT M4X10	
130	S44655001	1	クドウリングW	DRIVING RING, W	
131	S39497101	1	ベースイチギメイタW	BASE POSITIONING PLATE, W	
132	062300416	2	ナベコ3X4	SCREW, PAN M3X4	
133	025030236	2	ヒラザガネチユウ3	WASHER, PLAIN M 3	
134	S32871100	5	ローラベースクミ	ROLLER BASE ASSY	
135	U08671003	8	+ナベセムス3X5DB	SCREW, PAN (S/P WASHER) M3X5	
136	S41223000	1	ローラベーススペーサ	SPACER	
137	S42583000	1	ワイヤWB	WIRE, WB	
138	144784002	1	キジオサエザガネ	WASHER	
139	U08671003	1	+ナベセムス3X5DB	SCREW, PAN (S/P WASHER) M3X5	
140	S44640000	2	オクリローラ-	FEEDING ROLLER	
141	052300606	2	ナベコパネヒラ3X6	SCREW, PAN (S/P WASHER) M3X6	
142	S43486000	1	ボウシワクサツシトリツケイタ	SETTING PLATE, C-FRAME SASH	
143	S43487101	1	ボウシワクサツシ	CAP FRAME SASH	
144	S44262001	2	ツマミネジM5	SCREW, KNOB M5	
146	S43490001	1	ワイヤベースR	WIRE BASE, R	
147	S43489001	1	ワイヤベースL	WIRE BASE, L	
148	004400814	4	+サツコ4X8	SCREW, FLAT M4X8	
149	S43491001	1	ワイヤカケ	WIRE HOOK	
150	060400616	1	バインド4X6	SCREW, BIND M4X6	
151	062402016	1	ナベコ4X20	SCREW, PAN M4X20	
152	060400616	1	バインド4X6	SCREW, BIND M4X6	
153	060400416	1	バインド4X4	SCREW, BIND M4X4	
154	S44344001	1	コロヨウピンD	PIN, D	
155	070606800	1	Rタマジクウケ606ZZ	BALL BEARING, RADIAL 606ZZ	
156	060400616	1	バインド4X6	SCREW, BIND M4X6	
157	S32863001	1	アームアンナイボウ	ARM GUIDE BAR	
158	S04438001	2	セットカラ-	SET SCREW COLLAR	
159	012060632	4	アナヒラ6X6	SET SCREW, SOCKET (FT) M6X6	
160	S32870000	3	ストツパゴム	STOPPER RUBBER	
161	S44246000	2	ボウシササエイタヨウボウ	CAP HOLDER PLATE BAR	
162	S44643000	1	ボウシササエイタL	CAP HOLDER PLATE, L	
163	S44644000	1	ボウシササエイタR	CAP HOLDER PLATE, R	
164	0A5400806	4	+ナベザクミ4X8DB	SCREW, PAN (S/P WASHER) M4X8	
165	S44636000	2	ボウシササエイタテープ	C-HOLDER PLATE TAPE	
166	S44261001	2	ツマミネジM4	SCREW, KNOB M4	
167	S44262001	1	ツマミネジM5	SCREW, KNOB M5	
169	025060236	2	ヒラザガネチユウ6	WASHER, PLAIN M 6	
170	028060246	2	パネザガネ2-6	WASHER, SPRING 2-6	
171	021060206	2	2シユナツト6	NUT, 2 M6	

Y2 . 帽子枠装置 (オプション部品; 360 X 85mm) / Cap frame device (Option parts ; 360 X 85mm)

< 縫製エリア360mm X 85mm / Sewing area "360 X 85mm" >



BE-0901E/1201B-940

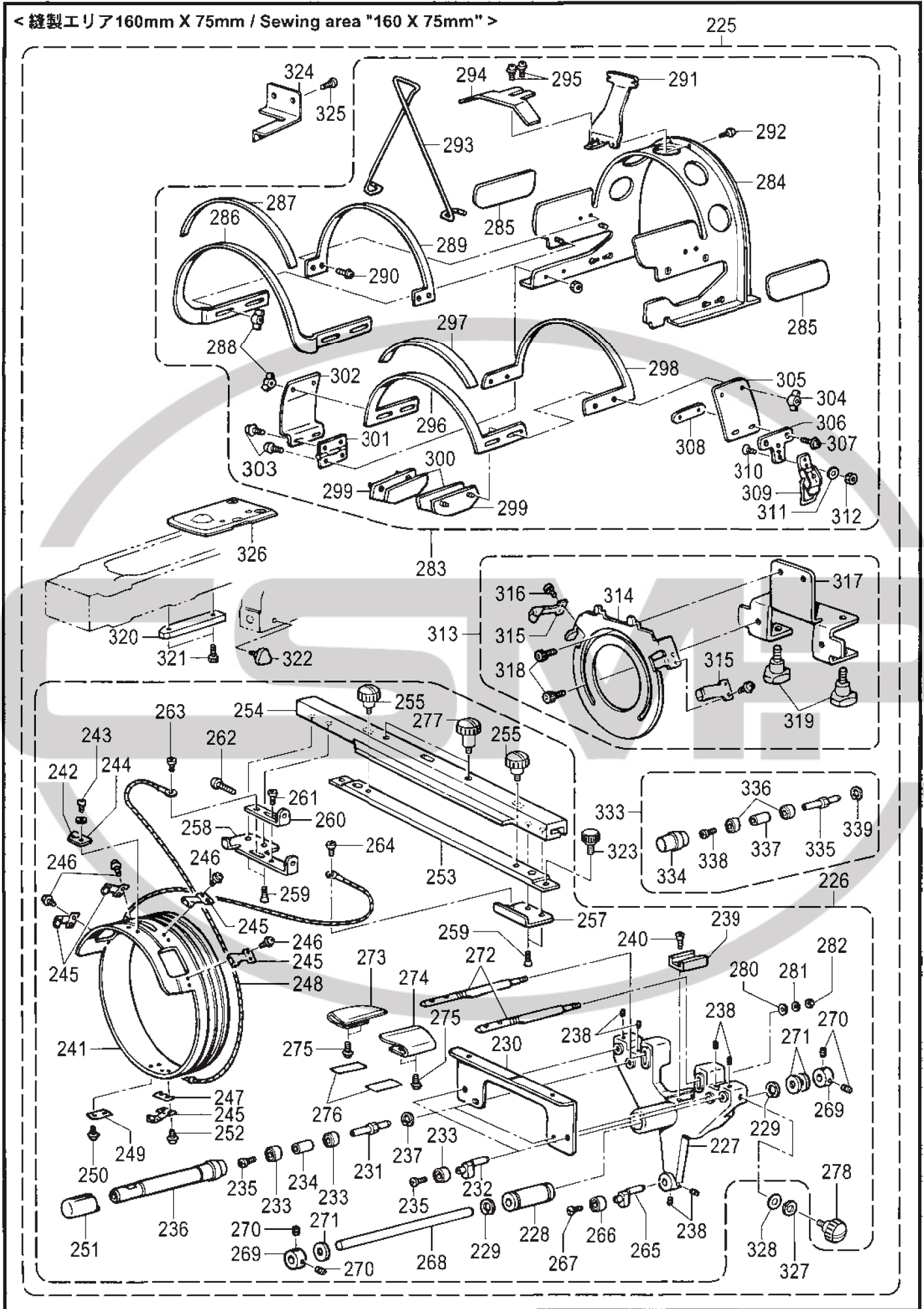
## Y2. 帽子枠装置 (オプション部品 ; 360X85mm) / Cap frame device (Option parts ; 360X85mm)

REF.NO	CODE	Q'TY	品名	NAME OF PARTS	RM
172	S44354001	2	ワイドセットワクAクミ	WIDE SETTING FRAME ASSY, A	
173	S53090001	2	ワイドセットワククミ	WIDE SETTING FRAME ASSY	
174	S44254001	2	ベースワクWクミ	BASE FRAME ASSY, W	
175	S44257000	2	フタワクW	COVER FRAME, W	
176	S44256001	2	チヨウバンW	HINGE, W	
177	061300616	6	サラコ3X6	SCREW, FLAT M3X6	
178	026030236	6	ヒラザガネミガキ3	WASHER, PLAIN M 3	
179	021300203	6	2シュナツト3	NUT, 2 M3	
180	S39459001	4	ダンネジ4	SHOULDER SCREW, M4	
181	021400206	4	2シュナツト4	NUT, 2 M4	
182	S44255001	2	クランプベースW	CLAMP BASE, W	
183	S32897000	2	パチンジョウ	SNAP LOCK	
184	062300506	4	ナベコ3X5	SCREW, PAN M3X5	
185	021300203	4	2シュナツト3	NUT, 2 M3	
186	S44258001	6	フタワクWガイドピン	GUIDE PIN	
187	028030246	6	バネザガネ2-3	WASHER, SPRING 2-3	
188	S44645001	2	ボウシササエボウクミ	CAP HOLDER BAR ASSY	
189	U08671003	8	+ナベセムス3X5DB	SCREW, PAN (S/P WASHER) M3X5	
190	S39460100	8	バインダクリップ	BINDER CLIP	
191	S32886101	2	ツバウケベース	VISOR HOLDER BASE	
192	062300506	4	ナベコ3X5	SCREW, PAN M3X5	
193	S35551001	2	ツバオサエゴム	RUBBER	
194	S44356101	1	セットワクゲージクミ	SET FRAME GAUGE ASSY	
195	S44841001	1	ゲージリングクミ	GAUGE RING ASSY	
196	S44851001	1	ワクストツパーイタ	FRAME STOPPER PLATE	
197	S44847001	2	ダンネジ5	SHOULDER SCREW, M5	
198	S44848001	2	バネカケ	SPRING HOOK	
199	S44849001	1	ヒキバネ	SPRING, EXTENSION	
200	S44852000	2	ワクホジイタ	FRAME HOLDER PLATE	
201	0A5400806	4	+ナベザクミ4X8DB	SCREW, PAN (S/P WASHER) M4X8	
202	S44858101	1	ゲージナライイタW	GAUGE COPYING PLATE, W	
203	052400606	4	ナベコバネヒラ4X6	SCREW, PAN (S/P WASHER) M4X6	
204	S44846001	1	セットワククランプ	CLAMPER	
205	S39499000	1	セットワクゴムW	SET FRAME RUBBER, W	
206	S44853001	1	セットワクザガネW	WASHER	
207	S16691000	1	ノブボルト8X25	KNOB BOLT, M8X25	
208	018500836	4	アナボルト5X8	BOLT, SOCKET M5X8	
209	025050236	4	ヒラザガネチユウ5	WASHER, PLAIN M 5	
210	S44860001	1	ワクイチギメイタ	FRAME POSITIONING PLATE	
211	U08671003	2	+ナベセムス3X5DB	SCREW, PAN (S/P WASHER) M3X5	
212	S32858001	1	レールダイ	RAIL BRACKET	
213	018401036	2	アナボルト4X10	BOLT, SOCKET M4X10	
214	S55277001	1	ツマミボルトM6	THUMB BOLT, M6	
215	S55276001	2	ツマミネジM5	THUMB SCREW, M5	
216	S44345001	1	アームクドウウデ1	DRIVING ARM, 1	
217	060400816	2	バインド4X8	SCREW, BIND M4X8	
218	028050246	1	バネザガネ2-5	WASHER, SPRING 2-5	
219	S51247001	1	ボウシヨウハリイタN	C-FRAME NEEDLE PLATE, N	
220	025050236	1	ヒラザガネチユウ5	WASHER, PLAIN M 5	

Y3 . 帽子枠装置 (オプション部品; 160 X 75mm) / Cap frame device (Option parts ; 160 X 75mm)

< 縫製エリア160mm X 75mm / Sewing area "160 X 75mm" >

225



BE-0901E/1201B-940

Y3. 帽子枠装置 (オプション部品 ; 160X75mm) / Cap frame device (Option parts ; 160X75mm)

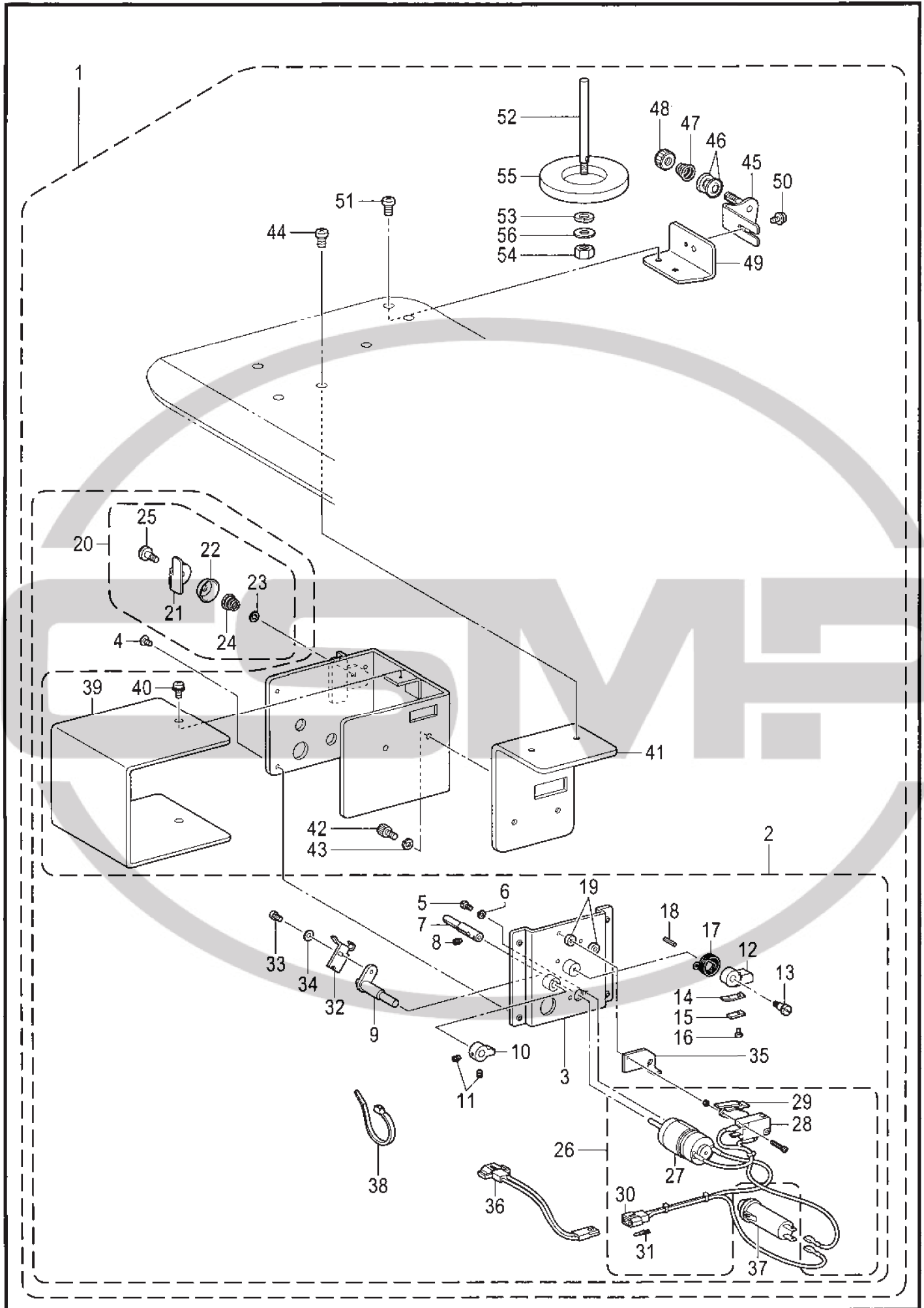
REF.NO	CODE	QTY	品名	NAME OF PARTS	RM
225	S52831101	1	ボウシワク1セットSSN2	CAP FRAME DEVICE SET, 1 :SSN2	
226	S44351101	1	ドライバークミ	DRIVER ASSY	
227	S44251000	1	ガイドアームW	GUIDE ARM, W	
228	S32862000	1	リニアボールベアリング	BALL BEARING, ;LINEAR	
229	S36498001	2	トメワアナヨウC21	RETAINING RING, INTERNAL C21	
230	S44253000	1	ベースガイドイタ	BASE GUIDE PLATE	
231	S44248001	2	コロヨウピンA	PIN, A	
232	S44344001	2	コロヨウピンD	PIN, D	
233	070606800	6	Rタマジクウケ606ZZ	BALL BEARING, RADIAL 606ZZ	
234	S44249001	2	カラー	COLLAR	
235	060400616	4	バインド4X6	SCREW, BIND M4X6	
236	S44638000	2	ローラー	ROLLER	
237	048170242	2	トメワアナヨウC17	RETAINING RING, INTERNAL C17	
238	012500832	6	アナヒラ5X8	SET SCREW, SOCKET (FT) M5X8	
239	S32859000	1	レールブロック	RAIL BLOCK	
240	004401003	2	+サラコ4X10	SCREW, FLAT M4X10	
241	S44655001	1	クドウリングW	DRIVING RING, W	
242	S39497101	1	ベースイチギメイタW	BASE POSITIONING PLATE, W	
243	062300416	2	ナベコ3X4	SCREW, PAN M3X4	
244	025030236	2	ヒラザガネチユウ3	WASHER, PLAIN M 3	
245	S32871100	5	ローラーベースクミ	ROLLER BASE ASSY	
246	U08671003	8	+ナベセムス3X5DB	SCREW, PAN (S/P WASHER) M3X5	
247	S41223000	1	ローラーベーススペーサ	SPACER	
248	S42583000	1	ワイヤWB	WIRE, WB	
249	144784002	1	キジオサエザガネ	WASHER	
250	U08671003	1	+ナベセムス3X5DB	SCREW, PAN (S/P WASHER) M3X5	
251	S44640000	2	オクリローラー	FEEDING ROLLER	
252	052300606	2	ナベコパネヒラ3X6	SCREW, PAN (S/P WASHER) M3X6	
253	S43486000	1	ボウシワクサツシトリツケイタ	SETTING PLATE, C-FRAME SASH	
254	S43487101	1	ボウシワクサツシ	CAP FRAME SASH	
255	S44262001	2	ツマミネジM5	SCREW, KNOB M5	
257	S43490001	1	ワイヤベースR	WIRE BASE, R	
258	S43489001	1	ワイヤベースL	WIRE BASE, L	
259	004400814	4	+サラコ4X8	SCREW, FLAT M4X8	
260	S43491001	1	ワイヤカケ	WIRE HOOK	
261	060400616	1	バインド4X6	SCREW, BIND M4X6	
262	062402016	1	ナベコ4X20	SCREW, PAN M4X20	
263	060400616	1	バインド4X6	SCREW, BIND M4X6	
264	060400416	1	バインド4X4	SCREW, BIND M4X4	
265	S44344001	1	コロヨウピンD	PIN, D	
266	070606800	1	Rタマジクウケ606ZZ	BALL BEARING, RADIAL 606ZZ	
267	060400616	1	バインド4X6	SCREW, BIND M4X6	
268	S32863001	1	アームアンナイボウ	ARM GUIDE BAR	
269	S04438001	2	セットカラー	SET SCREW COLLAR	
270	012060632	4	アナヒラ6X6	SET SCREW, SOCKET (FT) M6X6	
271	S32870000	3	ストツパゴム	STOPPER RUBBER	
272	S44246000	2	ボウシササエイタヨウボウ	CAP HOLDER PLATE BAR	
273	S44643000	1	ボウシササエイタL	CAP HOLDER PLATE, L	
274	S44644000	1	ボウシササエイタR	CAP HOLDER PLATE, R	
275	0A5400806	4	+ナベザクミ4X8DB	SCREW, PAN (S/P WASHER) M4X8	
276	S44636000	2	ボウシササエイタテープ	C-HOLDER PLATE TAPE	
277	S44261001	2	ツマミネジM4	SCREW, KNOB M4	
278	S44262001	1	ツマミネジM5	SCREW, KNOB M5	
280	025060236	2	ヒラザガネチユウ6	WASHER, PLAIN M 6	
281	028060246	2	パネザガネ2-6	WASHER, SPRING 2-6	
282	021060206	2	2シユナツト6	NUT, 2 M6	



Y3. 帽子枠装置 (オプション部品 ; 160X75mm) / Cap frame device (Option parts ; 160X75mm)

REF.NO	CODE	Q'TY	品名	NAME OF PARTS	RM
283	S40224001	2	ベースワケセットS160W	BASE FRAME SET, S160W	
284	S40233001	2	キャツプワケベースAクミ	CAP FRAME BASE ASSY, A	
285	S40234000	4	ベースAゴム	RUBBER A BASE	
286	S40235001	2	キャツプワケベースBクミ	CAP FRAME BASE ASSY, B	
287	S40236000	2	ベースBゴム	RUBBER A BASE	
288	S32866000	8	チヨウナツ3	WING NUT, M3	
289	S40247001	2	キャツプワケベースC	CAP FRAME BASE, C	
290	052300606	8	ナベコバネヒラ3X6	SCREW, PAN (S/P WASHER) M3X6	
291	S40239001	2	ツバウケベースB	VISOR HOLDER BASE, B	
292	052300606	4	ナベコバネヒラ3X6	SCREW, PAN (S/P WASHER) M3X6	
293	S35551001	2	ツバオサエゴム	RUBBER	
294	S40227001	2	ヒサシトメ	VISOR HOLDER	
295	052300606	4	ナベコバネヒラ3X6	SCREW, PAN (S/P WASHER) M3X6	
296	S40240000	2	フタワケAS160Wクミ	COVER FRAME (AS) ASSY, 160W	
297	S40241000	2	フタゴムS160W	COVER RUBBER (S), 160W	
298	S32889000	2	フタワケB	COVER FRAME, B	
299	S40242001	4	ボルトベース160Wクミ	BOLT BASE ASSY, 160W	
300	S40243000	4	ボルトベースゴム	RUBBER, BOLT BASE	
301	S40244000	2	チヨウバン	HINGE	
302	S40231001	2	フタワケプレートL	COVER FRAME PLATE, L	
303	052300606	8	ナベコバネヒラ3X6	SCREW, PAN (S/P WASHER) M3X6	
304	S32866000	8	チヨウナツ3	WING NUT, M3	
305	S40228000	2	フタワケプレートR	COVER FRAME PLATE, R	
306	S32896001	2	クランプベース	CLAMP BASE	
307	052300606	4	ナベコバネヒラ3X6	SCREW, PAN (S/P WASHER) M3X6	
308	S40245001	2	ナツイタM3	NUT PLATE, M3	
309	S32897000	2	パチンジョウ	SNAP LOCK	
310	061300616	4	サラコ3X6	SCREW, FLAT M3X6	
311	026030236	4	ヒラザガネミガキ3	WASHER, PLAIN M 3	
312	021300206	8	2シユナツ3	NUT, 2 M3	
313	S40246001	1	セットワケゲージセットW	SETTING FRAME GAUGE SET, W	
314	S39462001	1	セットワケベースW	SETTING FRAME BASE, W	
315	S32871100	2	ローラーベースクミ	ROLLER BASE ASSY	
316	052300606	4	ナベコバネヒラ3X6	SCREW, PAN (S/P WASHER) M3X6	
317	S40232001	1	キャツプゲージベース	CAP GAUGE BASE	
318	018500836	4	アナボルト5X8	BOLT, SOCKET M5X8	
319	S16691000	2	ノブボルト8X25	KNOB BOLT, M8X25	
320	S32858001	1	レールダイ	RAIL BRACKET	
321	018401036	2	アナボルト4X10	BOLT, SOCKET M4X10	
322	S55277001	1	ツマミボルトM6	THUMB BOLT, M6	
323	S55276001	2	ツマミネジM5	THUMB SCREW, M5	
324	S44345001	1	アームクドウウデ1	DRIVING ARM, 1	
325	060400816	2	バインド4X8	SCREW, BIND M4X8	
326	S59991001	1	ハリイタ4N	NEEDLE PLATE, 4N	
327	028050246	1	バネザガネ2-5	WASHER, SPRING 2-5	
328	025050236	1	ヒラザガネチユウ5	WASHER, PLAIN M 5	
333	S44359001	2	ローラーBクミ	ROLLER ASSY, B	
334	S44358000	2	ローラーB	ROLLER, B	
335	S44248001	2	コロヨウピンA	PIN, A	
336	070606800	4	Rタマジクウケ606ZZ	BALL BEARING, RADIAL 606ZZ	
337	S44249001	2	カラー	COLLAR	
338	060400616	2	バインド4X6	SCREW, BIND M4X6	
339	048170242	2	トメワアナウO17	RETAINING RING, INTERNAL C17	

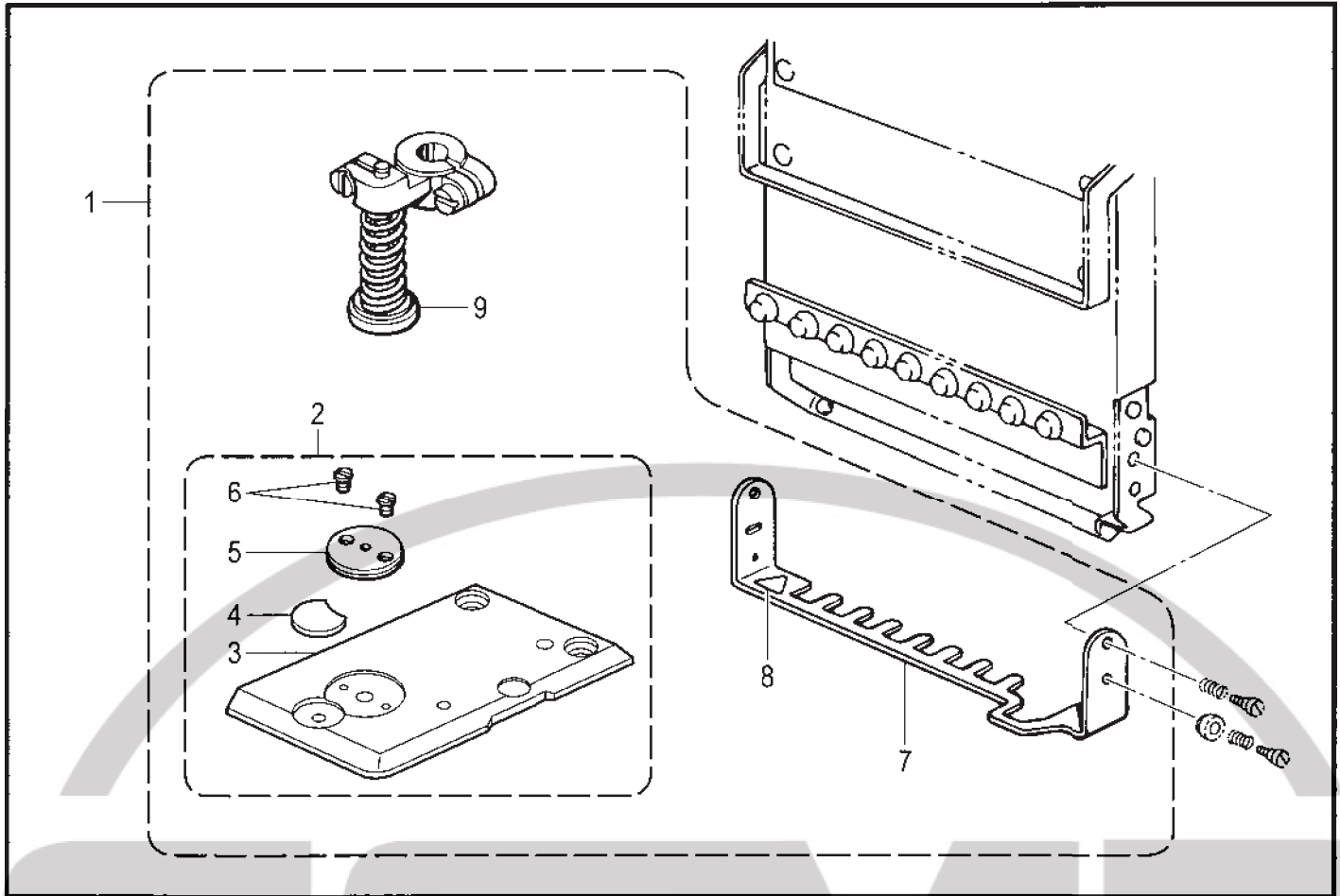
AA . 糸巻装置 (オプション部品) / Bobbin winder mechanism (Option parts)



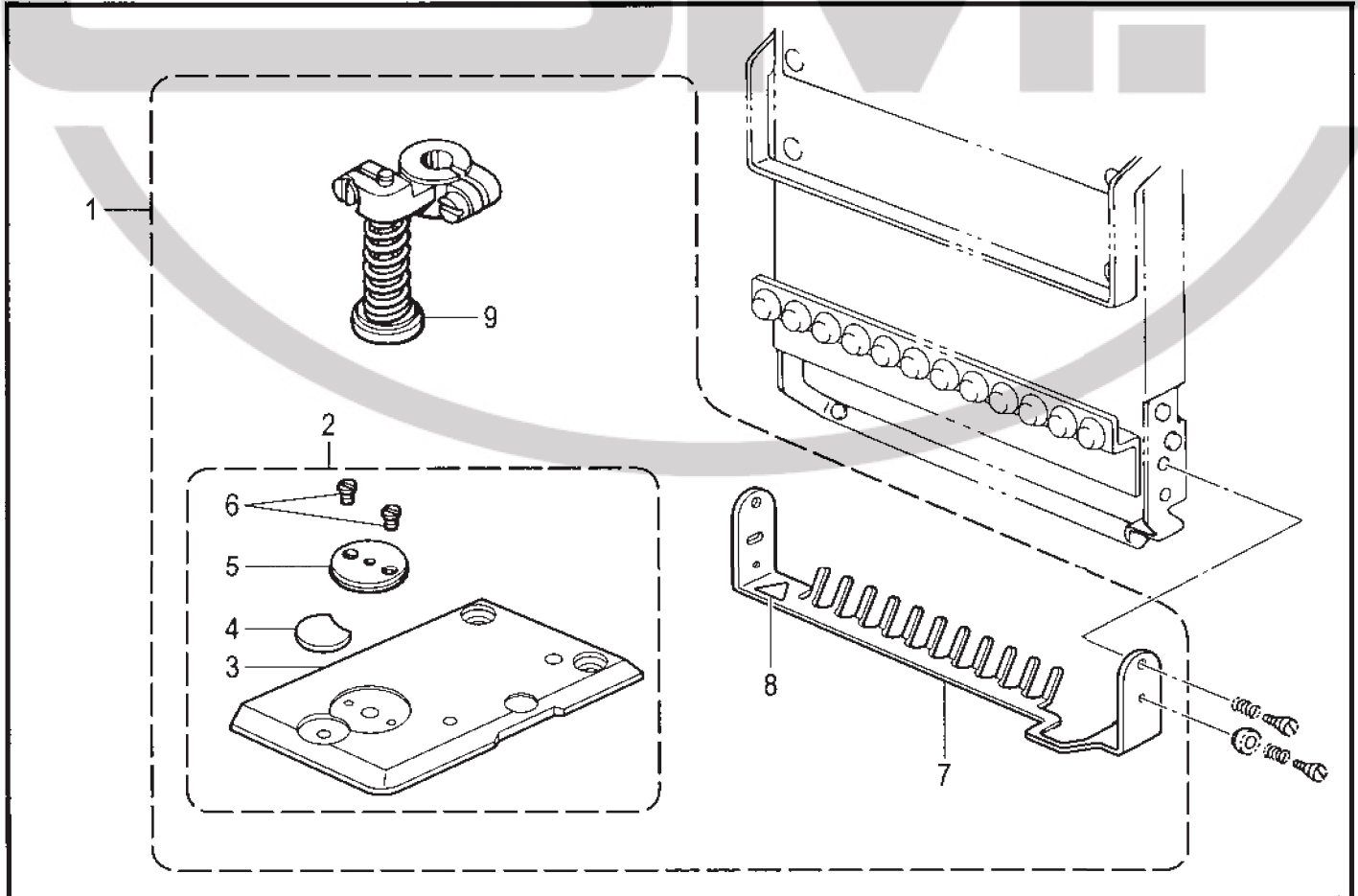
BE-0901E/1201B-940

## AA. 糸巻装置 (オプション部品) / Bobbin winder mechanism (Option parts)

REF.NO	CODE	QTY	品名	NAME OF PARTS	RM
1	S36410001	1	イトマキソウクミC	BOBBIN WINDER SET, C	
2	S31973109	1	イトマキソウチクミ	BOBBIN WINDER ASSY	
3	S39902001	1	イトマキモータシジイタ	BOBBIN WINDER MOTOR BRACKET	
4	008300604	4	トラスコ3X6	SCREW TRUSS M3X6	
5	S35032101	2	シメネジ2.6X5.5	SCREW, M2.6X5.5	
6	028260242	2	バネザガネ2-2.6	WASHER SPRING 2-2.6	
7	S39901001	1	イトマキジク	B-WINDER SHAFT	
8	014300332	2	アナクボミ3X3	SET SCREW SOCKET (CP) M3X3	
9	154024001	1	ボビンオサエ	BOBBIN PRESSER	
10	154092001	1	イトマキツメダンツキ	BOBBIN WINDER CLAW	
11	014680432	2	アナクボミ437-40X4	SET SCREW SOCKET SM4.37-40X4	
12	152361001	1	イトマキレバー	B-WINDER LEVER	
13	152362001	1	イトマキダンネジ	SHOULDER SCREW	
14	111942001	1	イタバネ	PLATE SPRING	
15	111943001	1	イタバネザガネ	WASHER	
16	060660512	1	バインド318-40X5	SCREW BIND SM3.18-40X5	
17	152363001	1	ネジリバネA	SPRING, TWIST A	
18	047301042	1	スプリングピンAW3	PIN SPRING ROLL AW3	
19	152364001	2	カラ	COLLAR	
20	146197001	1	イトツカミクミ	THREAD NIPPER ASSY	
21	146198001	1	イトツカミメス	THREAD NIPPER KNIFE	
22	146199001	1	イトツカミサラ	THREAD NIPPER DISC	
23	146200001	1	トメワCS4	RETAINING RING, CS4	
24	144505000	1	イトアンナイバネ	THREAD GUIDE SPRING	
25	118764002	1	ダンネジ4.37	SHOULDER SCREW, SM4.37	
26	S39847001	1	イトマキモータクミ	BOBBIN WINDER MOTOR ASSY	
27	S39908000	1	イトマキモータ	BOBBIN WINDER MOTOR	
28	152507000	1	マイクロスイッチD	MICRO SWITCH, D	
29	152508000	1	マイクロアクチエータ	MICRO ACTUATOR	
30	152509000	1	ナイロンコネクタE	NYLON CONNECTOR, E	
31	552851001	2	ピンタミナル#1854	TERMINAL PIN, #1854	
32	152645001	1	ボビンオサエイタ	BOBBIN HOLDER PLATE	
33	062300616	1	ナベコ3X6	SCREW PAN M3X6	
34	025030236	1	ヒラザガネチュウ3	WASHER PLAIN M 3	
35	158597001	1	イトマキストツパー	STOPPER, B-WINDER	
36	S21103000	1	イトマキハーネスC	B-WINDER HARNESS, C	
37	S16669000	1	プロテクタ0.5A	PROTECTOR, 0.5A	
38	S04557000	1	パンタイPLT1M	BAND, PLT1M	
39	S31960009	1	イトマキカバー	COVER, ;B-WINDER	
40	052300606	2	ナベコバネヒラ3X6	SCREW, PAN (S/P WASHER) M3X6	
41	S32617001	1	イトマキソウチイタ	PLATE, B-WINDE DEVICE	
42	018400836	2	アナボルト4X8	BOLT SOCKET M4X8	
43	028040246	2	バネザガネ2-4	WASHER SPRING 2-4	
44	062501016	2	ナベコ5X10	SCREW PAN M5X10	
45	145571101	1	イトマキアンナイダイクミ	BOBBIN WINDER GUIDE BASE ASSY	
46	145446001	2	イトチヨウシサラ	DISC, TENSION	
47	100401001	1	イトチヨウシバネ	TENSION SPRING	
48	100136001	1	イトチヨウシナツト	TENSION NUT	
49	S34347001	1	イトマキアンナイイタ	GUIDE PLATE, ;B-WINDER	
50	052400806	1	ナベコバネヒラ4X8	SCREW, PAN (S/P WASHER) M4X8	
51	062501016	2	ナベコ5X10	SCREW PAN M5X10	
52	S46972001	1	スプールジク	SPOOL SHAFT	
53	028050246	1	バネザガネ2-5	WASHER SPRING 2-5	
54	021500103	1	1シユナツト5	NUT, 1 M5	
55	S55279000	1	スプールマツト	SPOOL MAT	
56	025060236	1	ヒラザガネチュウ6	WASHER PLAIN M 6	



BE-0901E-AC-940



BE-1201B-AC-940

AB1. ボーリングセット (BE-0901E-AC ; オプション部品) / Boring device set (BE-0901E-AC ; Option Parts)

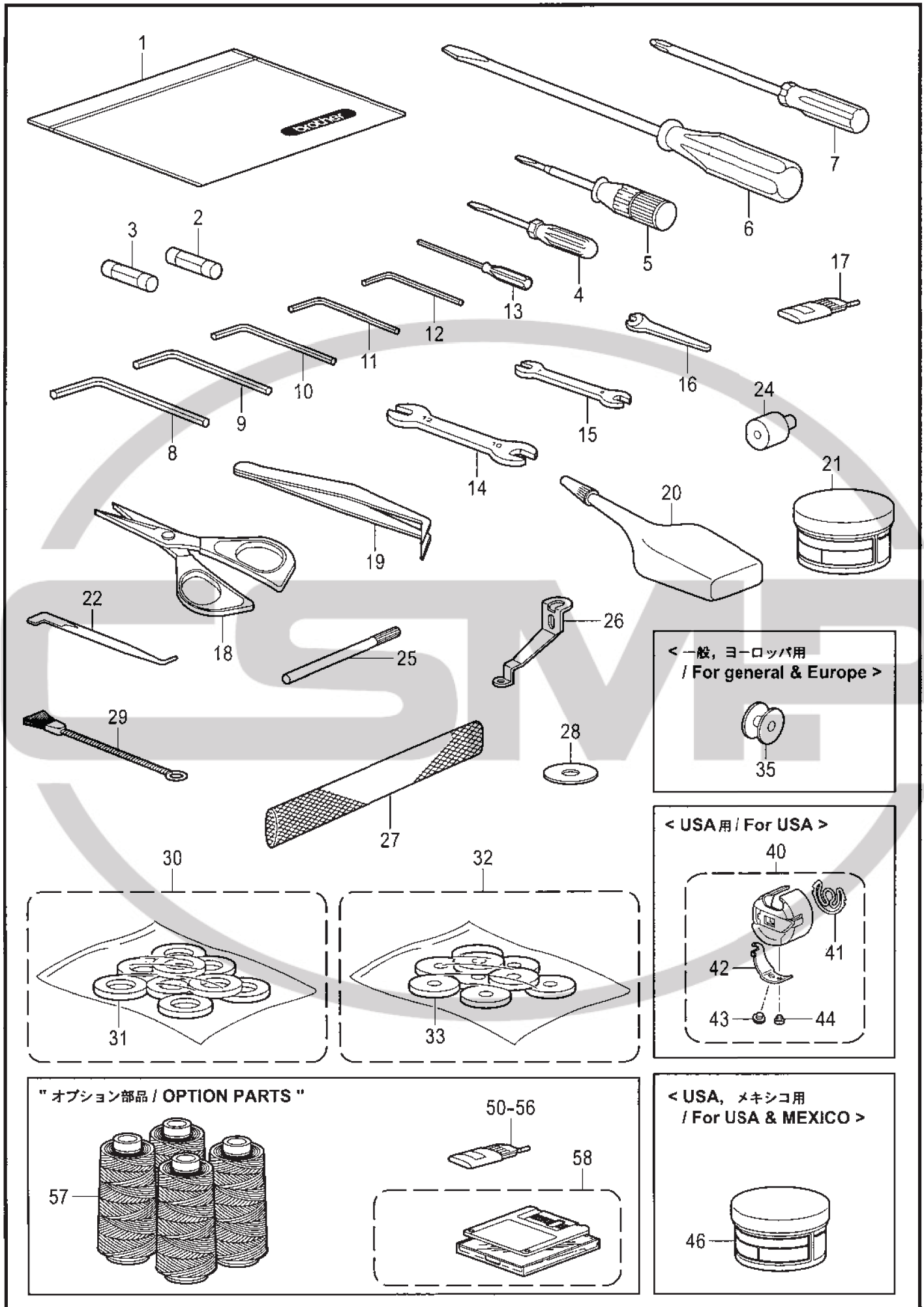
REF.NO	CODE	Q'TY	品名	NAME OF PARTS	RM
1	S36393001	1	ボーリングセット1H	BORING DEVICE SET, 1H	
2	S55099001	1	BヨウハリイタNクミ1H	N-PLATE ASSY, N :1H B-DEVICE	
3	S55100001	1	ボーリングヨウハリイタN	NEEDLE PLATE, N :B-DEVICE	
4	S36404000	1	ハリイタメスウケ	NEEDLE PLATE KNIFE SUUPPORT	
5	S32482001	1	ハリアナイタ0	NEEDLE HOLE PLATE, T=0	
6	100360003	2	サラネジ2.38	SCREW	
7	S36409101	1	ボーリングFガードクミ	B-DEVICE F-GUARD ASSY	
8	S36924001	1	ワーニングマーク	INJURY MARK	
9	S19951001	1	ボーリングメスセット	BORING KNIFE SET	

BE-0901E-AC-940

AB2. ボーリングセット (BE-1201B-AC ; オプション部品) / Boring device set (BE-1201B-AC ; Option Parts)

REF.NO	CODE	Q'TY	品名	NAME OF PARTS	RM
1	S51256001	1	ボーリングセット12N	BORING DEVICE SET, 1H-12 :N	
2	S55099001	1	BヨウハリイタNクミ1H	N-PLATE ASSY, N :1H B-DEVICE	
3	S55100001	1	ボーリングヨウハリイタN	NEEDLE PLATE, N :B-DEVICE	
4	S36404000	1	ハリイタメスウケ	NEEDLE PLATE KNIFE SUUPPORT	
5	S32482001	1	ハリアナイタ0	NEEDLE HOLE PLATE, T=0	
6	100360003	2	サラネジ2.38	SCREW	
7	S48397001	1	ボーリングFGクミ12	BORING FINGER GUARD ASSY, 12	
8	S36924001	1	ワーニングマーク	INJURY MARK	
9	S19951001	1	ボーリングメスセット	BORING KNIFE SET	

BE-1201B-AC-940



< 一般, ヨーロッパ用 / For general & Europe >

35

< USA用 / For USA >

40

41

42

43

44

" オプション部品 / OPTION PARTS "

57

50-56

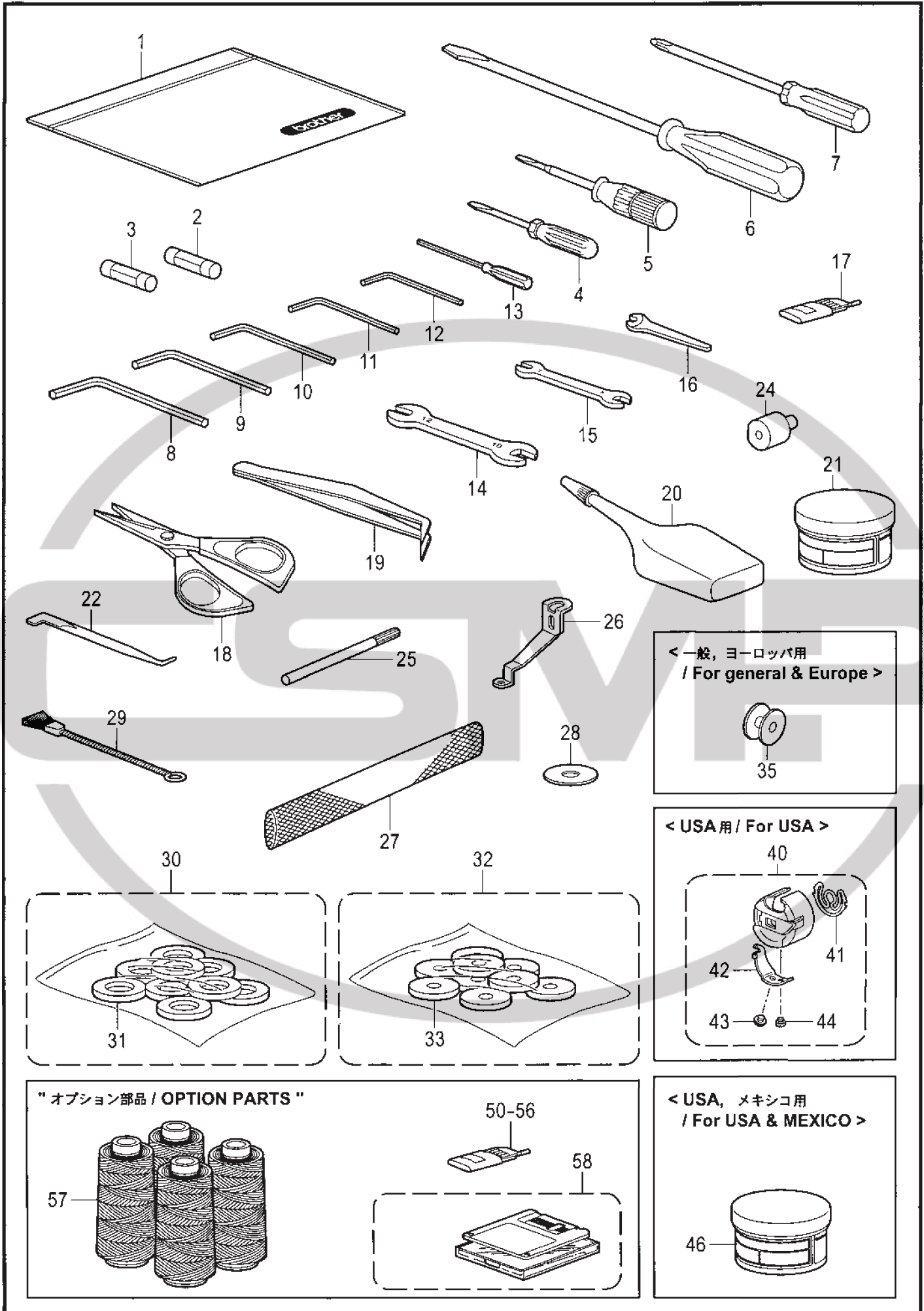
58

< USA, メキシコ用 / For USA & MEXICO >

46

## Z. 付属品関係 / Accessories

REF.NO	CODE	Q'TY	品名	NAME OF PARTS	RM
1	122991001	1	フゾクヒンポリフクロ	ACCESSORY BAG	
2	415814001	2	Gヒューズ5AST	G FUSE (5AST)	
3	S02887000	1	ヒューズ15A	FUSE, 15A	
4	142443001	1	ネジマワシ1.9X52	SCREW-DRIVER, 1.9X52	
5	118837001	1	ネジマワシ3.4X70	SCREW-DRIVER, 3.4X70	
6	101572101	1	ネジマワシ5.5X190	SCREW-DRIVER, 5.5X190	
7	150332001	1	プラスドライバー-NO.2	SCREW DRIVER, 2X100	
8	150335001	1	6カクボウスパナ5	HEXAGONAL WRENCH, 5	
9	118064001	1	6カクボウスパナ4	HEXAGONAL WRENCH, 4	
10	142721001	1	6カクボウスパナ3	HEXAGONAL WRENCH, 3	
11	154125001	1	6カクボウスパナ2.5	HEXAGONAL WRENCH, 2.5	
12	142002001	1	6カクボウスパナ2	HEXAGONAL WRENCH, 2	
13	S46430001	1	6カクボウネジマワシ1.5	HEXAGONAL DRIVER, 1.5	
14	107780001	1	スパナ10X12	WRENCH, 10X12	
15	142205001	1	スパナ7X8	WRENCH, 7X8	
16	S08132001	1	スパナ5.5	WRENCH, 5.5	
17	SA1649011	1	S15629ハリ10コイリクミ	NEEDLE 10PIECE ASSY, S15629	
18	184783001	1	ハサミ	SCISSORS	
19	117466000	1	ピンセット	PINCETTE	
20	121156001	1	オイルラ-Bクミ	OILER	
21	S00966100	1	グリースタンク30	GREASE TANK, 30	
22	S08170001	1	Zガタネジマワシ	SCREW-DRIVER, Z-TYPE	
24	S32841051	1	カシテンゲージ	BOTTOM DEAD CENTER GAUGE	
25	S32656051	1	イチキメバー	POSITIONING BAR	
26	S32672001	1	オサエアシA	PRESSER FOOT, A	
28	S46758001	4	イドウハスペース	MOVABLE KNIFE SPACER	
29	122992001	1	ミシンブラシ	BRUSH	
27	S34455000	10	<BE-0901E-AC> ネット160L	<BE-0901E-AC> NET, 160L	
30	S55579000	1	スプールマット9クミ	SPOOL MAT ASSY, 9	
31	S55279000	9	スプールマット	SPOOL MAT	
32	S55580000	1	スプールマットS9クミ	SPOOL MAT ASSY, 9	
33	S55280000	9	スプールマットS	SPOOL MAT, S	
27	S34455000	15	<BE-1201B-AC> ネット160L	<BE-1201B-AC> NET, 160L	
30	S55577000	1	スプールマットS12クミ	SPOOL MAT ASSY, 12	
31	S55279000	12	スプールマット	SPOOL MAT	
32	S55578000	1	スプールマットS9クミ	SPOOL MAT ASSY, 9	
33	S55280000	12	スプールマットS	SPOOL MAT, S	
35	159794001	4	<一般、ヨーロッパ用> ボビン	<For general & Europe> BOBBIN	
40	S35584001	1	<USA用> ボビンケースクミ	<For USA> BOBBIN CASE ASSY	
41	S35583001	1	クウテンボウシバネ	ANTI-SPIN SPRING	
42	181936001	1	ボビンケースチヨウシバネ	TENSION SPRING	
43	181937001	1	チヨウシバネチヨウセツネジ	ADJUSTING SCREW	
44	181938001	1	チヨウシバネトメネジ	SET SCREW	
46	S04926100	1	<USA,メキシコ用> グリースタンクBR2	<For USA & Mexico> GREASE TANK, BR2	



< 一般, ヨーロッパ用 / For general & Europe >  
 35

< USA用 / For USA >  
 40  
 41  
 42  
 43  
 44

" オプション部品 / OPTION PARTS "

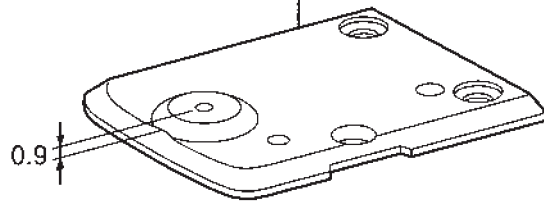
57: Spools of thread  
 50-56: Needle threader  
 58: Needle threader

< USA, メキシコ用 / For USA & MEXICO >  
 46: Lint container

## Z. 付属品関係 / Accessories

REF.NO.	CODE	Q'TY	品名	NAME OF PARTS	RM
			"オプション部品"	"OPTION PARTS"	
50	SA1649009	1	S15629ハリ10コイリクミ	NEEDLE 10PIECE ASSY, S15629	
51	SA1649010	1	S15629ハリ10コイリクミ	NEEDLE 10PIECE ASSY, S15629	
52	SA1649012	1	S15629ハリ10コイリクミ	NEEDLE 10PIECE ASSY, S15629	
53	SA1649013	1	S15629ハリ10コイリクミ	NEEDLE 10PIECE ASSY, S15629	
54	SA1649014	1	S15629ハリ10コイリクミ	NEEDLE 10PIECE ASSY, S15629	
55	SA1649016	1	S15629ハリ10コイリクミ	NEEDLE 10PIECE ASSY, S15629	
56	SA1649018	1	S15629ハリ10コイリクミ	NEEDLE 10PIECE ASSY, S15629	
57	S50689000	1	イトサンプルクミ	THREAD SAMPLE ASSY	
58	S33244001	1	デザインフロppy3セット	DESIGN FLOPPY SET, 3	

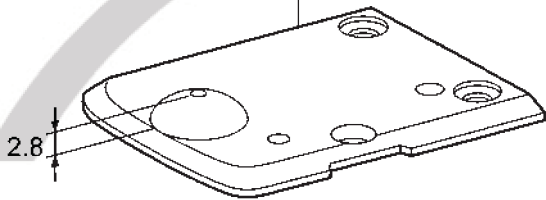
刺しゅう用針板N / Needle plate, N ;embro.  
S51245001



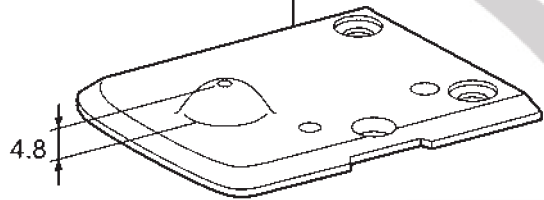
" オプション部品 / OPTION PARTS "

帽子枠用 / For Cap frame device

帽子用針板N / Needle plate, N ;C-frame  
S51247001

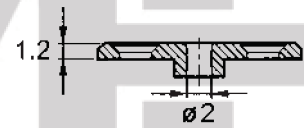


針板4 / Needle plate, 4  
S36298001

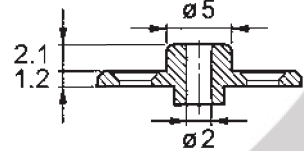
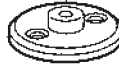


針穴板 / Needle hole plate

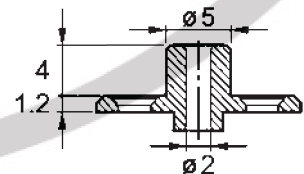
S32482001



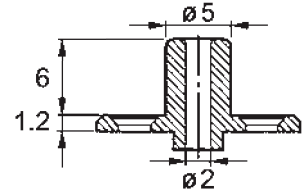
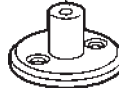
S32611001



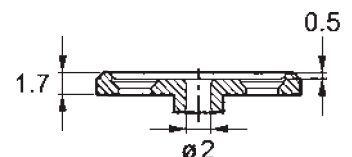
S32612001



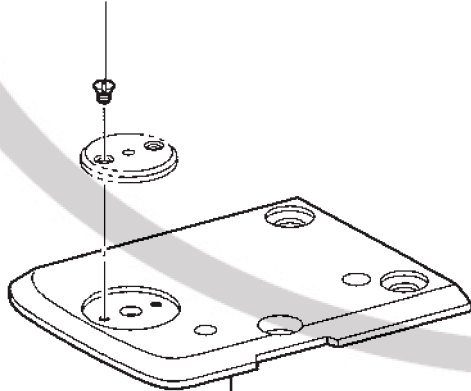
S32613001



S34807001

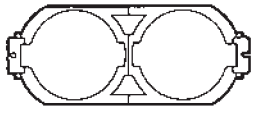
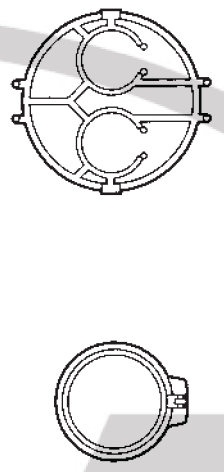
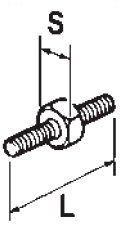


皿ネジ 2.38 / Screw, flat SM2.38  
100360003



針板N / Needle plate, N  
S51243001

Op. 刺しゅう枠 (オプション部品) / Embroidery frame (Option parts)

CODE	品名 / NAME OF PARTS		縫製エリア / Sewing area
S15612000	クモノスダイワク SPIDER NET FRAME HOLDER, PFH2-2		クモの巣枠用 / For holding the spider net frame
S15613000	クモノスワケ-07 SPIDER NET FRAME, SPFH-07		-----
S15618000	ナカワケ-07 INNER ROUND FRAME, SPF-07		φ 30mm
S15614000	クモノスワケ-09 SPIDER NET FRAME, SPFH-09		-----
S15619000	ナカワケ-09 INNER ROUND FRAME, SPF-09		φ 50mm
S15615000	クモノスワケ-12 SPIDER NET FRAME, SPFH-12		-----
S15620000	ナカワケ-12 INNER ROUND FRAME, SPF-12		φ 80mm
S15616000	クモノスワケ-15 SPIDER NET FRAME, SPFH-15		-----
S15621000	ナカワケ-15 INNER ROUND FRAME, SPF-15		φ 110mm
S15617000	クモノスワケ-18 SPIDER NET FRAME, SPFH-18		-----
S15622000	ナカワケ-18 INNER ROUND FRAME, SPF-18		φ 140mm
補給用部品 / For supply parts			
S33207000	ワクチョウセイネジ21 ADJUSTING SCREW, 21		S=8mm, L=21mm
S33208000	ワクチョウセイネジ23 ADJUSTING SCREW, 23		S=8mm, L=23mm
S33209000	ワクチョウセイネジ27 ADJUSTING SCREW, 27		S=8mm, L=27mm
S29634001	ワクチョウセイネジL ADJUSTING SCREW, L		S=8mm, L=31mm

BE-0901E/1201B-Op

Wa. 警告ラベル / Warning labels

警告ラベル / Warning labels	品名 / Name of parts	Size(mm)	Code
	電撃ラベル・和	40 × 64	S38353-101
	Label, elec. shock 4 lang.	35 × 118	S38352-101
	操作注意ラベル・BAS和	40 × 64	S38357-001
	Label, operation (BAS) Eng.	40 × 64	S38571-001
	WARNING LABEL, EN	40 × 64	S36921-001
	WARNING LABEL, DE	40 × 64	S36922-001
	WARNING LABEL, FR	40 × 64	S36923-001
	ワーニングマーク Mark, injury	L=16	S36924-001
	矢印マーク Mark, arrow	10 × 30	S37058-001
	アースマーク Label, grounding	φ 12	S37060-001

CODE	REF.NO	Page	CODE	REF.NO	Page	CODE	REF.NO	Page	CODE	REF.NO	Page
002260405	U1 -21	74	008400806	Q2 -17	62	018061236	T1 -5	66	018501436	H -30	42
	U1 -30	74		Q2 -19	62		T2 -5	70		H -41	42
002260505	U1 -34	74		Q2 -33	62	018061636	D1 -53	8		J -27	44
004400803	U2 -88	76		Q2 -35	62		D2 -53	12	018501636	J -47	44
	U3 -117	78		Q2 -37	62		F6 -115	36	021060106	G -26	40
	X -40	82		Q2 -39	62		H -39	42		M -21	50
	X -42	82		Q2 -41	62		T1 -140	68		M -28	50
004400814	Y1 -35	86		Q2 -43	62		T2 -140	72		M -31	50
	Y2 -148	90		Q2 -48	62		X -65	84		T1 -8	66
	Y3 -259	94		U2 -80	76	018062036	E1 -7	16		T2 -8	70
004401003	E1 -21	16		U2 -97	76		F6 -102	36	021060206	Y1 -58	86
	E2 -21	18		U3 -113	78		H -2	42		Y2 -171	90
	Y1 -16	86	012060632	Y1 -46	86		H -34	42		Y3 -282	94
	Y2 -129	90		Y2 -159	90		J -2	44	021060306	F6 -96	36
	Y3 -240	94		Y3 -270	94		J -5	44		F6 -116	36
008300504	U1 -28	74	012060636	B -4	4		J -9	44	021080306	F6 -101	36
008300514	D1 -20	8		B -6	4		J -14	44	021100206	X -26	82
	D1 -78	10		B -41	4	018063036	H -36	42	021300103	F3 -378	32
	D2 -78	14		G -7	40	018081636	F6 -98	36	021300106	M -55	50
008300604	AA -4	98		K -9	46		H -50	42		N1 -27	54
	G -35	40		K -11	46	018082536	X -18	82		N1 -60	54
	G -37	40		K -14	46	018103032	A -2	2		N2 -27	56
	S -3	64		K -16	46	018300536	M -62	50		N2 -60	56
	S -5	64		M -11	50	018300636	D1 -76	10	021300203	Y1 -72	88
	T1 -49	66		M -13	50		D2 -76	14		Y2 -179	92
	T1 -69	68		M -26	50		N1 -58	54		Y2 -185	92
	T2 -49	70		S -9	64		N2 -58	56	021300205	F3 -300	30
	T2 -69	72	012300536	H -14	42	018300836	J -53	44		F3 -389	32
	U1 -25	74	012400636	H -21	42		J -55	44	021300206	Y3 -312	96
	U2 -70	76	012500536	E2 -28	18	018301036	D1 -8	8	021400106	M -6	50
	U2 -85	76		G -4	40		D1 -62	8		N1 -7	54
	U2 -86	76		H -5	42		D2 -8	12		N2 -7	56
	U3 -112	78		H -7	42		D2 -62	12		U2 -89	76
	X -24	82		H -9	42	018400836	J -31	44		U2 -95	76
	X -35	82		H -16	42		J -35	44		U3 -118	78
	X -38	82		H -23	42		M -32	50	021400206	F1 -492	20
	X -50	82		H -45	42		M -51	50		F2 -48	24
	X -52	82		H -47	42		M -60	50		F2 -192	28
	X -54	82		H -56	42		AA -42	98		F2 -231	28
	X -56	82	012500832	Y1 -14	86	018401036	J -18	44		F7 -442	38
	X -58	82		Y2 -127	90		N1 -14	54		F7 -464	38
	X -60	82		Y3 -238	94		N2 -14	56		F7 -475	38
	X -62	82	014300332	AA -8	98		Y1 -102	88		F7 -486	38
	X -69	84	014400636	D1 -36	8		Y2 -213	92		Y2 -181	92
008400806	D1 -21	8		D1 -44	8		Y3 -321	96	021500103	C -12	6
	D1 -22	8		D2 -36	12	018401236	E1 -11	16		E1 -20	16
	D1 -24	8		D2 -44	12		E2 -11	18		E2 -20	18
	D1 -30	8		E1 -3	16		J -40	44		J -20	44
	D2 -22	12		E1 -15	16	018401636	J -38	44		P1 -7	58
	D2 -24	12		E1 -17	16	018500836	Y1 -97	88		P2 -7	58
	D2 -30	12		E2 -3	18		Y2 -208	92		AA -54	98
	Q1 -4	60		E2 -15	18		Y3 -318	96	021500316	F6 -87	36
	Q1 -13	60		E2 -17	18	018501036	C -3	6	021670203	F3 -299	30
	Q1 -15	60		E2 -26	18		D1 -70	10	025030233	F3 -303	30
	Q1 -17	60		G -2	40		D2 -70	14		F3 -377	32
	Q1 -19	60	014680432	AA -11	98		F6 -130	36		N1 -49	54
	Q1 -32	60	014761030	X -14	82		J -51	44		N2 -49	56
	Q1 -34	60	017061006	F6 -95	36		X -9	82	025030236	F2 -67	24
	Q1 -36	60	017062006	E2 -7	18		X -12	82		F2 -67	26
	Q1 -39	60	017501606	J -19	44	018501236	C -8	6		F2 -221	26
	Q1 -43	60	018061036	X -5	82		D1 -71	10		F2 -221	28
	Q1 -45	60	018061236	D1 -65	8		D2 -71	14		Y1 -20	86
	Q2 -14	62		D2 -65	14	018501436	G -28	40		Y2 -133	90

## 索引 / INDEX

CODE	REF.NO	Page	CODE	REF.NO	Page	CODE	REF.NO	Page	CODE	REF.NO	Page
025030236	Y3 -244	94	028030243	N1 -59	54	028060246	X -67	84	060400616	Y3 -235	94
	AA -34	98		N2 -26	56		Y1 -57	86		Y3 -261	94
025040136	D1 -14	8		N2 -48	56		Y2 -170	90		Y3 -263	94
	D2 -14	12		N2 -59	56		Y3 -281	94		Y3 -267	94
	J -41	44	028030245	M -56	50	028080246	F6 -99	36		Y3 -338	96
025040236	S -11	64	028030246	J -56	44		H -51	42	060400816	M -71	52
025050236	D1 -72	10		Y1 -77	88		X -19	82		Y1 -106	88
	D2 -72	14		Y2 -187	92	028100246	X -27	82		Y2 -217	92
	F6 -132	36	028040246	E1 -12	16	028260242	AA -6	98		Y3 -325	96
	G -33	40		E2 -12	18	028260245	U1 -35	74	060501016	A -12	2
	H -32	42		F5 -33	34	028350243	F3 -291	30		G -22	40
	H -43	42		J -32	44	047200542	M -45	50		G -31	40
	J -29	44		J -36	44	047301042	AA -18	98		L -3	48
	J -49	44		J -42	44	047501242	D1 -63	8		L -10	48
	J -63	44		M -7	50		D2 -63	12		L -41	48
	N1 -4	54		N1 -32	54	048020342	M -67	52		M -4	50
	N2 -4	56		N1 -62	54	048020346	Q1 -12	60		N1 -2	54
	X -15	82		N2 -32	56		Q2 -13	62		N2 -2	56
	Y1 -98	88		N2 -62	56	048025346	B -22	4		P1 -4	58
	Y1 -109	88		AA -43	98	048040342	F6 -125	36		P1 -10	58
	Y2 -209	92	028050246	D1 -73	10	048050346	Y1 -74	88		P2 -4	58
	Y2 -220	92		D2 -73	14	048060342	M -25	50		P2 -10	58
	Y3 -328	96		E1 -22	16	048060346	F6 -127	36	060660512	AA -16	98
025060236	D1 -54	8		E2 -22	18	048110142	G -40	40	061300616	Y1 -70	88
	D2 -54	12		F2 -19	24	048170242	Y1 -13	86		Y2 -177	92
	E1 -9	16		F2 -23	24		Y2 -126	90		Y3 -310	96
	E2 -9	18		F6 -131	36		Y3 -237	94	061400816	A -6	2
	T1 -7	66		G -32	40		Y3 -339	96	062060806	F6 -114	36
	T1 -141	68		H -31	42	048320242	H -12	42	062300416	D1 -66	10
	T2 -7	70		H -42	42		J -11	44		D2 -66	14
	T2 -141	72		J -28	44	052300605	U1 -20	74		M -64	50
	X -32	82		J -48	44	052300606	Y1 -28	86		M -73	52
	X -66	84		J -62	44		Y2 -141	90		Y1 -19	86
	Y1 -56	86		N1 -3	54		Y3 -252	94		Y2 -132	90
	Y2 -169	90		N2 -3	56		Y3 -290	96		Y3 -243	94
	Y3 -280	94		P1 -6	58		Y3 -292	96	062300506	Y1 -79	88
	AA -56	98		P2 -6	58		Y3 -295	96		Y2 -184	92
025060336	F6 -93	36		X -10	82		Y3 -303	96		Y2 -192	92
	F6 -113	36		X -17	82		Y3 -307	96	062300616	F6 -122	36
	X -7	82		Y1 -107	88		Y3 -316	96		L -5	48
025080132	M -74	52		Y2 -218	92		AA -40	98		L -12	48
025080236	F6 -100	36		Y3 -327	96	052400605	U1 -19	74		L -20	48
	H -52	42		AA -53	98	052400606	X -63	84		L -35	48
025100236	E1 -34	16	028060243	D1 -55	8		Y1 -92	88		L -43	48
	E2 -34	18		D2 -55	12		Y2 -203	92		N1 -47	54
	X -28	82		E1 -8	16	052400806	G -19	40		N2 -47	56
025350236	F3 -292	30		E2 -8	18		AA -50	98		P1 -15	58
026030236	Y1 -71	88		G -25	40	060300616	F2 -66	24		AA -33	98
	Y1 -76	88	028060246	F6 -92	36		F2 -66	26	062300806	F3 -302	30
	Y2 -178	92		H -3	42		F2 -220	26		F3 -376	32
	Y3 -311	96		H -35	42		F2 -220	28	062301006	N1 -56	54
026040136	F1 -491	20		H -37	42	060400416	Y1 -40	86		N2 -56	56
	F5 -32	34		H -40	42		Y2 -153	90	062350816	D1 -10	8
026040236	E1 -13	16		J -3	44		Y3 -264	94		D2 -10	12
	E2 -13	18		J -6	44	060400616	J -22	44	062351016	B -35	4
	N1 -33	54		J -10	44		Y1 -11	86		M -9	50
	N1 -63	54		J -15	44		Y1 -37	86	062400616	D1 -52	8
	N2 -33	56		T1 -6	66		Y1 -39	86		D2 -52	12
	N2 -63	56		T1 -142	68		Y1 -43	86		E2 -36	18
026050136	F2 -20	24		T2 -6	70		Y2 -124	90		F1 -256	20
026260235	U1 -36	74		T2 -142	72		Y2 -150	90		F4 -6	34
028030243	N1 -26	54		X -6	82		Y2 -152	90		J -45	44
	N1 -48	54		X -44	82		Y2 -156	90	062400806	F5 -31	34

CODE	REF.NO	Page	CODE	REF.NO	Page	CODE	REF.NO	Page	CODE	REF.NO	Page
062400816	A - 15	2	0A4300605	N2 - 34	56	140726000	B - 2	4	157199201	F3 - 307	30
	B - 28	4		N2 - 36	56	140890009	A - 16	2	157200201	F3 - 306	30
	B - 29	4		R - 9	64	141331001	M - 30	50	157201201	F3 - 318	30
	D1 - 13	8		U1 - 23	74	142002001	Z - 12	102	157202201	F3 - 317	30
	D1 - 32	8	0A4300805	U1 - 24	74	142205001	Z - 15	102	157203201	F3 - 329	30
	D2 - 13	12	0A4400806	U2 - 101	76	142443001	W - 615	80		F3 - 340	30
	D2 - 32	12		U2 - 106	76		Z - 4	102	157204201	F3 - 328	30
	E1 - 31	16	0A5300605	T1 - 58	66	142708000	K - 8	46	157275001	F3 - 349	32
	E2 - 31	18		T2 - 58	70	142709000	K - 10	46	157276001	F3 - 350	32
	F1 - 495	20	0A5300805	R - 3	64	142721001	Z - 10	102	157344201	F3 - 339	30
	L - 36	48	0A5400806	H - 25	42	144103009	Q1 - 26	60	158597001	AA - 35	98
	M - 46	50		H - 28	42		Q2 - 27	62	159150000	A - 10	2
	N1 - 31	54		R - 6	64	144505000	AA - 24	98		A - 13	2
	N1 - 61	54		R - 10	64	144508001	X - 22	82	159486001	F6 - 109	36
	N2 - 31	56		Y1 - 51	86	144784002	Y1 - 25	86	159794001	Z - 35	102
	N2 - 61	56		Y1 - 88	88		Y2 - 138	90	181936001	K - 22	46
	P1 - 13	58		Y1 - 90	88		Y3 - 249	94		Z - 42	102
	P2 - 14	58		Y2 - 164	90	145446001	AA - 46	98	181937001	K - 23	46
062401016	B - 32	4		Y2 - 201	92	145465001	B - 17	4		Z - 43	102
	D1 - 34	8		Y3 - 275	94	145466001	B - 15	4	181938001	K - 24	46
	D2 - 34	12	0A5401006	T1 - 65	66	145571101	AA - 45	98		Z - 44	102
	G - 14	40		T2 - 65	70	146197001	AA - 20	98	184783001	Z - 18	102
	M - 58	50	0A5401605	U2 - 94	76	146198001	AA - 21	98	415814001	Z - 2	102
062401216	F7 - 441	38		U2 - 104	76	146199001	AA - 22	98	533527002	U3 - 127	78
	F7 - 463	38	100136001	AA - 48	98	146200001	AA - 23	98	533923001	T1 - 48	66
	F7 - 474	38	100360003	AB1 - 6	100	146202000	U1 - 51	74		T2 - 48	70
	F7 - 485	38		AB2 - 6	100	146354001	F6 - 106	36	552851001	AA - 31	98
062401416	F2 - 191	28		Ga	105	146924100	D2 - 20	12	552907000	U1 - 65	74
	F2 - 230	28	100401001	AA - 47	98		D2 - 26	12	552908000	U1 - 63	74
062401616	F2 - 47	24	100402004	Q1 - 23	60	147777000	B - 16	4	554482000	U1 - 52	74
	S - 12	64		Q2 - 24	62	148782001	C - 6	6		U1 - 62	74
062402016	Y1 - 38	86	101572101	Z - 6	102	149287000	U2 - 81	76	616415001	T1 - 67	66
	Y2 - 151	90	104520000	K - 15	46		U3 - 114	78		T2 - 67	70
	Y3 - 262	94	107155001	L - 39	48		U3 - 131	78	625010000	A - 14	2
062500816	F2 - 22	24	107550002	C - 4	6	149483001	X - 48	82	S00480000	U1 - 54	74
062501016	J - 61	44	107780001	Z - 14	102	149547000	U1 - 61	74		U2 - 71	76
	AA - 44	98	110367001	M - 24	50	150332001	Z - 7	102	S00554000	T1 - 20	66
	AA - 51	98	110793001	F6 - 107	36	150335001	Z - 8	102		T2 - 20	70
062501416	F2 - 18	24	111865009	G - 8	40	150349001	T1 - 42	66	S00966100	Z - 21	102
062670814	F3 - 290	30	111942001	AA - 14	98		T2 - 42	70	S02887000	Z - 3	102
070606800	Y1 - 9	86	111943001	AA - 15	98		U1 - 58	74	S04438001	Y1 - 45	86
	Y1 - 42	86	113431002	C - 13	6	150357001	T1 - 43	66		Y2 - 158	90
	Y2 - 122	90		D1 - 60	8		T2 - 43	70		Y3 - 269	94
	Y2 - 155	90		D2 - 60	12	152361001	AA - 12	98	S04557000	T1 - 143	68
	Y3 - 233	94	114486002	X - 21	82	152362001	AA - 13	98		T2 - 143	72
	Y3 - 266	94	117006001	L - 47	48	152363001	AA - 17	98		U1 - 56	74
	Y3 - 336	96	117150001	L - 11	48	152364001	AA - 19	98		U2 - 108	76
070699800	D1 - 67	10		L - 34	48	152507000	AA - 28	98		AA - 38	98
	D2 - 67	14		L - 42	48	152508000	AA - 29	98	S04926100	Z - 46	102
076002800	H - 11	42	117466000	Z - 19	102	152509000	AA - 30	98	S06740101	H - 49	42
	H - 53	42	117934001	A - 9	2	152632001	F3 - 352	32	S07876101	L - 45	48
076204659	B - 44	4	117936001	A - 8	2	152633001	F3 - 363	32	S08132001	Z - 16	102
081003870	B - 21	4	118064001	Z - 9	102	152645001	AA - 32	98	S08170001	Z - 22	102
081006070	G - 16	40	118735002	D1 - 5	8	152883000	L - 44	48	S08421000	E2 - 30	18
081007070	M - 75	52		D2 - 5	12	152948001	L - 1	48	S09142000	T1 - 44	66
0A4300605	H - 18	42	118764002	AA - 25	98	152969001	L - 4	48		T2 - 44	70
	H - 26	42	118837001	Z - 5	102		L - 19	48		U1 - 59	74
	H - 29	42	121156001	Z - 20	102	154024001	AA - 9	98	S09774001	F6 - 86	36
	J - 60	44	121764001	F3 - 297	30	154092001	AA - 10	98	S09815001	F3 - 301	30
	N1 - 10	54	121765001	F3 - 298	30	154125001	Z - 11	102		F3 - 375	32
	N1 - 34	54	122991001	Z - 1	102	155510001	Q1 - 8	60	S09816001	F3 - 312	30
	N1 - 36	54	122992001	Z - 29	102	157044201	F3 - 295	30	S09817001	F3 - 345	30
	N2 - 10	56	133172003	X - 23	82	157047201	F3 - 296	30	S09818001	F3 - 323	30

## 索引 / INDEX

CODE	REF.NO	Page	CODE	REF.NO	Page	CODE	REF.NO	Page	CODE	REF.NO	Page
S09818001	F3 - 334	30	S15622000	Op	106	S21085000	J - 43	44	S32375201	N1 - 41	54
	F3 - 399	30	S15623000	F2 - 274	26		J - 57	44	S32376201	N1 - 42	54
S09823101	F3 - 286	30	S15624000	F2 - 274	26	S21103000	AA - 36	98	S32377000	N1 - 43	54
S09827001	F3 - 288	30	S15625000	F2 - 274	26	S21677000	L - 32	48		N1 - 46	54
S09828101	F3 - 289	30	S15626000	F2 - 274	26	S23418001	A - 4	2	S32378001	D1 - 27	8
S09830101	F3 - 287	30	S15627000	F2 - 156	26	S23651001	B - 12	4		D2 - 27	12
S09834000	F6 - 121	36	S15628000	F2 - 156	26		B - 43	4	S32379001	D1 - 28	8
S09848001	F3 - 348	32	S15629011	D1 - 49	8		E1 - 6	16		D2 - 28	12
S10243000	U1 - 60	74		D2 - 49	12		E2 - 6	18	S32380101	N1 - 44	54
S10820000	A - 21	2	S15642001	F4 - 257	34		E2 - 24	18	S32381101	N1 - 45	54
S10820004	A - 21	2	S15646001	F4 - 257	34		K - 2	46	S32383001	N1 - 53	54
S10820009	A - 21	2	S15650001	F1 - 7	20		K - 3	46		N2 - 53	56
S11848000	T1 - 41	66		F4 - 259	34		K - 5	46	S32384101	N1 - 29	54
	T2 - 41	70	S15654001	F1 - 7	20		K - 6	46		N2 - 29	56
	U1 - 57	74	S15658001	F1 - 7	20		K - 19	46	S32385101	N1 - 35	54
	U2 - 107	76	S15660001	F1 - 7	20		M - 2	50		N2 - 35	56
S12481000	T1 - 55	66	S16452000	U1 - 50	74	S25283001	N1 - 17	54	S32386001	N1 - 15	54
	T2 - 55	70	S16669000	AA - 37	98		N2 - 17	56		N2 - 15	56
S15225101	H - 1	42	S16691000	Y1 - 96	88	S25310101	M - 41	50	S32387101	N1 - 22	54
S15229001	H - 33	42		Y2 - 207	92	S25391000	P1 - 16	58		N2 - 22	56
S15230001	H - 38	42		Y3 - 319	96		P2 - 15	58	S32388100	N1 - 23	54
S15231000	J - 46	44	S17052001	J - 59	44	S25439101	F6 - 108	36		N2 - 23	56
S15232000	H - 6	42	S17061000	Q1 - 40	60	S25773001	B - 26	4	S32394101	Q1 - 3	60
	H - 55	42		Q2 - 42	62	S27910001	F5 - 35	34	S32395001	Q1 - 5	60
S15233000	H - 8	42	S17069000	X - 70	84	S29634001	F2 - 280	28	S32397001	Q1 - 7	60
S15234000	H - 10	42	S17390101	E1 - 5	16		F4 - 280	34	S32435001	B - 42	4
S15235001	H - 20	42		E2 - 5	18		Op	106	S32445009	S - 7	64
S15236001	H - 22	42	S17399152	E1 - 14	16	S29700000	L - 46	48	S32446009	S - 6	64
S15237001	H - 24	42		E2 - 14	18	S30580001	F3 - 391	30	S32451001	M - 1	50
S15239000	H - 15	42	S17401051	E1 - 16	16	S30581001	F3 - 392	30	S32452001	M - 3	50
S15240101	H - 19	42		E2 - 16	18	S30582000	F3 - 393	30	S32453100	M - 5	50
S15241001	H - 27	42	S18707141	X - 29	82	S30583000	F3 - 394	30	S32454001	M - 8	50
S15242000	H - 46	42	S19604000	F3 - 351	32	S31958001	H - 54	42	S32456001	M - 10	50
S15243209	X - 61	82	S19951001	AB1 - 9	100	S31959051	H - 48	42	S32457001	M - 14	50
S15247000	J - 34	44		AB2 - 9	100	S31960009	AA - 39	98	S32461001	M - 16	50
S15248000	J - 33	44	S20012001	F3 - 285	30	S31973109	AA - 2	98	S32462001	M - 17	50
S15251001	J - 54	44	S20680001	Q1 - 27	60	S32257001	D1 - 77	10		M - 27	50
S15252001	J - 58	44		Q2 - 28	62		D2 - 77	14	S32463001	M - 18	50
S15256000	J - 52	44	S20681000	Q1 - 28	60	S32296001	F3 - 294	30	S32467001	M - 22	50
S15257000	J - 37	44		Q2 - 29	62	S32297001	F3 - 305	30	S32468001	M - 23	50
S15259001	G - 38	40	S20682103	Q1 - 29	60	S32298001	F3 - 316	30	S32469001	M - 29	50
S15267000	H - 13	42		Q2 - 30	62	S32299001	F3 - 327	30	S32471201	M - 33	50
S15268000	H - 4	42	S20878000	A - 17	2	S32300001	F3 - 338	30	S32474001	M - 34	50
	H - 44	42	S20913000	R - 1	64	S32361201	N1 - 1	54	S32475001	M - 35	50
S15273001	P1 - 9	58	S21033009	J - 8	44		N2 - 1	56	S32476001	M - 36	50
S15281001	R - 2	64	S21034052	J - 13	44	S32362000	N1 - 5	54	S32477001	M - 37	50
S15284000	F1 - 254	20	S21037009	J - 39	44		N2 - 5	56	S32480001	N1 - 24	54
	F4 - 4	34	S21038101	J - 50	44	S32363001	N1 - 54	54		N2 - 24	56
S15285000	F1 - 255	20	S21055151	X - 64	84		N2 - 54	56	S32482001	AB1 - 5	100
	F4 - 5	34	S21056001	X - 43	82	S32365101	N1 - 8	54		AB2 - 5	100
S15286101	P1 - 11	58	S21057000	T1 - 46	66		N2 - 8	56		Ga	105
S15287101	P1 - 12	58		T2 - 46	70	S32366001	N1 - 9	54	S32486001	M - 12	50
S15321001	X - 33	82	S21064000	X - 20	82		N2 - 9	56	S32488001	M - 50	50
S15612000	Op	106	S21083000	U3 - 115	78	S32367000	N1 - 11	54	S32490000	M - 54	50
S15613000	Op	106		U3 - 132	78		N2 - 11	56	S32491001	M - 57	50
S15614000	Op	106	S21083001	U1 - 53	74	S32369001	N1 - 16	54	S32492001	M - 59	50
S15615000	Op	106		U1 - 55	74		N2 - 16	56	S32493001	M - 61	50
S15616000	Op	106		U1 - 64	74	S32371101	N1 - 18	54	S32494001	M - 63	50
S15617000	Op	106		U2 - 72	76		N2 - 18	56	S32495001	M - 65	50
S15618000	Op	106		U2 - 82	76	S32373100	N1 - 20	54	S32496001	M - 66	52
S15619000	Op	106	S21085000	J - 7	44		N2 - 20	56	S32497001	M - 68	52
S15620000	Op	106		J - 12	44	S32374101	N1 - 21	54	S32498001	M - 69	52
S15621000	Op	106		J - 16	44		N2 - 21	56	S32499001	M - 72	52

CODE	REF.NO	Page	CODE	REF.NO	Page	CODE	REF.NO	Page	CODE	REF.NO	Page
S32501001	B - 19	4	S32587001	D2 - 7	12	S32674101	C - 11	6	S32871100	Y1 - 21	86
S32502000	B - 20	4	S32588101	D1 - 9	8	S32675001	G - 15	40		Y2 - 134	90
S32503001	B - 23	4		D2 - 9	12	S32676000	G - 20	40		Y3 - 245	94
S32504001	B - 25	4	S32592009	D1 - 23	8	S32677001	G - 24	40		Y3 - 315	96
S32505001	B - 27	4	S32593001	D1 - 25	8	S32678001	G - 23	40	S32877101	F2 - 21	24
S32507101	B - 18	4	S32595001	D1 - 31	8	S32680101	G - 27	40	S32886101	Y1 - 78	88
S32508009	P1 - 2	58	S32596001	D1 - 33	8	S32682001	G - 30	40		Y2 - 191	92
S32509009	P1 - 3	58	S32597001	D1 - 35	8	S32683100	G - 29	40	S32889000	Y3 - 298	96
	P2 - 3	58	S32598001	D1 - 61	8	S32775000	F2 - 11	24	S32890001	Y1 - 65	88
S32510001	P1 - 8	58	S32599001	D1 - 64	8		F2 - 15	24	S32896001	Y1 - 68	88
	P2 - 8	58		D2 - 64	12	S32791000	F5 - 36	34		Y3 - 306	96
S32511409	A - 1	2	S32600001	D1 - 37	8	S32793101	F2 - 41	24	S32897000	Y1 - 69	88
S32514001	A - 3	2	S32603000	L - 26	48	S32795201	F2 - 40	24		Y2 - 183	92
S32515001	A - 5	2	S32604000	L - 27	48	S32797001	F2 - 46	24		Y3 - 309	96
S32517101	B - 1	4	S32605000	L - 28	48		F2 - 190	28	S32898001	Y1 - 73	88
S32518001	B - 3	4	S32606001	L - 29	48	S32798001	F1 - 504	20	S32945001	F3 - 293	30
S32519001	B - 5	4	S32611001	Ga	105		F1 - 504	22	S32946001	F3 - 304	30
S32521001	B - 10	4	S32612001	Ga	105		F1 - 539	22	S32947001	F3 - 315	30
S32522101	B - 11	4	S32613001	Ga	105		F2 - 42	24	S32948001	F3 - 326	30
S32523001	B - 14	4	S32614001	M - 70	52		F2 - 61	24	S32949001	F3 - 337	30
S32525201	B - 33	4	S32617001	AA - 41	98		F2 - 61	26	S32954009	T1 - 54	66
S32526001	B - 34	4	S32631001	D1 - 38	8		F2 - 215	26		T2 - 54	70
S32527101	B - 36	4		D2 - 38	12		F2 - 186	28	S33149000	D1 - 11	8
S32530201	B - 37	4	S32632000	D1 - 42	8		F2 - 215	28		D1 - 15	8
S32531101	B - 38	4		D2 - 42	12		F2 - 225	28	S33207000	F2 - 280	28
S32532001	B - 13	4	S32633000	D1 - 40	8		F7 - 435	38		F4 - 280	34
S32533001	B - 39	4		D2 - 40	12		F7 - 457	38		Op	106
S32536001	S - 10	64	S32634001	D1 - 45	8		F7 - 468	38	S33208000	F2 - 280	28
S32538101	K - 7	46	S32635001	D1 - 46	8		F7 - 479	38		F4 - 280	34
S32539101	K - 12	46		D2 - 46	12	S32799001	F1 - 505	20		Op	106
S32540000	K - 13	46	S32637000	D1 - 47	8		F1 - 505	22	S33209000	F2 - 280	28
S32544001	K - 1	46		D2 - 47	12		F1 - 540	22		F4 - 280	34
S32547001	K - 4	46	S32638001	D1 - 48	8		F2 - 43	24		Op	106
S32550001	K - 17	46		D2 - 48	12		F2 - 62	24	S33244001	Z - 58	104
S32551001	K - 18	46	S32639001	D1 - 68	10		F2 - 62	26	S33630009	G - 34	40
S32552000	L - 6	48		D2 - 68	14		F2 - 216	26	S33631001	G - 36	40
S32553000	L - 7	48	S32640001	D1 - 69	10		F2 - 187	28	S33673000	B - 40	4
S32554000	L - 8	48		D2 - 69	14		F2 - 216	28	S33802001	F1 - 506	20
	L - 30	48	S32643201	E1 - 1	16		F2 - 226	28		F1 - 506	22
S32555001	L - 2	48		E2 - 1	18		F7 - 436	38		F1 - 541	22
S32556001	L - 9	48	S32644101	E1 - 2	16		F7 - 458	38		F2 - 44	24
S32557000	L - 13	48	S32645101	E1 - 4	16		F7 - 469	38		F2 - 63	24
	L - 22	48	S32647001	E1 - 18	16		F7 - 480	38		F2 - 63	26
S32558000	L - 14	48	S32648001	E1 - 19	16	S32841051	Z - 24	102		F2 - 217	26
S32559000	L - 15	48		E2 - 19	18	S32858001	Y1 - 101	88		F2 - 188	28
S32561101	L - 16	48	S32651001	D1 - 39	8		Y2 - 212	92		F2 - 217	28
S32564000	L - 17	48	S32652001	D1 - 58	8		Y3 - 320	96		F2 - 227	28
S32565000	L - 18	48		D2 - 58	12	S32859000	Y1 - 15	86		F7 - 437	38
S32570000	L - 23	48	S32653001	D1 - 59	8		Y2 - 128	90		F7 - 459	38
S32571000	L - 24	48		D2 - 59	12		Y3 - 239	94		F7 - 470	38
S32574101	C - 2	6	S32654001	D1 - 12	8	S32861016	Y1 - 63	88		F7 - 481	38
S32575001	C - 5	6	S32655001	A - 11	2	S32862000	Y1 - 4	86	S33803201	F2 - 39	24
S32576001	C - 7	6	S32656051	Z - 25	102		Y2 - 117	90	S33805001	F7 - 483	38
S32577001	C - 9	6	S32662101	G - 1	40		Y3 - 228	94	S33806001	F7 - 484	38
S32580001	C - 10	6	S32663001	G - 5	40	S32863001	Y1 - 44	86	S34012000	L - 40	48
S32581301	D1 - 2	8	S32664201	G - 17	40		Y2 - 157	90	S34032001	D1 - 29	8
S32582101	D1 - 56	8	S32665001	G - 13	40		Y3 - 268	94		D2 - 29	12
S32583101	D1 - 57	8	S32667001	G - 10	40	S32866000	Y1 - 75	88	S34033001	Q1 - 6	60
S32584101	D1 - 3	8	S32668001	G - 11	40		Y3 - 288	96	S34200000	B - 30	4
	D2 - 3	12	S32669001	G - 12	40		Y3 - 304	96	S34325001	L - 50	48
S32585001	D1 - 4	8	S32672001	G - 18	40	S32870000	Y1 - 47	86	S34347001	AA - 49	98
	D2 - 4	12		Z - 26	102		Y2 - 160	90	S34450001	P1 - 14	58
S32587001	D1 - 7	8	S32673001	G - 21	40		Y3 - 271	94	S34452000	N1 - 28	54

## 索引 / INDEX

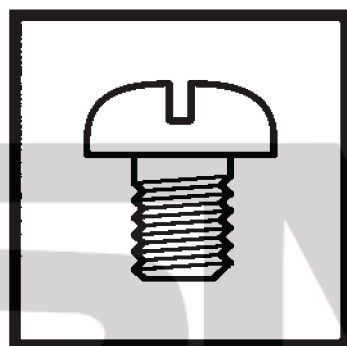
CODE	REF.NO	Page	CODE	REF.NO	Page	CODE	REF.NO	Page	CODE	REF.NO	Page
S34452000	N2 - 28	56	S36396001	F4 - 3	34	S36494001	L - 25	48	S39497101	Y2 - 131	90
S34455000	Z - 27	102	S36397001	F1 - 252	20	S36495001	F2 - 156	26		Y3 - 242	94
S34807001	Ga	105	S36398001	F4 - 2	34	S36498001	Y1 - 5	86	S39499000	Y1 - 94	88
S35032101	AA - 5	98	S36399001	F3 - 284	30		Y2 - 118	90		Y2 - 205	92
S35551001	Y1 - 80	88	S36400001	F3 - 283	30		Y3 - 229	94	S39531001	F6 - 77	36
	Y2 - 193	92	S36401001	F5 - 26	34	S36505001	D1 - 16	8	S39532101	F6 - 78	36
	Y3 - 293	96	S36404000	AB1 - 4	100		D2 - 16	12	S39533001	F6 - 79	36
S35583001	K - 21	46		AB2 - 4	100	S36714001	N1 - 55	54	S39534000	F6 - 80	36
	Z - 41	102	S36405001	F2 - 403	24		N2 - 55	56	S39535000	F6 - 81	36
S35584001	K - 20	46	S36406001	F5 - 24	34	S36921001	A - 19	2	S39536001	F6 - 82	36
	Z - 40	102	S36408000	F5 - 37	34		Wa	107	S39537001	F6 - 84	36
S35632001	D1 - 50	8	S36409101	AB1 - 7	100	S36922001	A - 19	2	S39538001	F6 - 85	36
	D2 - 50	12	S36410001	AA - 1	98		Wa	107	S39539001	F6 - 88	36
S35646001	B - 24	4	S36418000	F5 - 34	34	S36923001	A - 19	2	S39540001	F6 - 89	36
S35655001	F2 - 274	26	S36421001	F5 - 30	34		Wa	107	S39541001	F6 - 94	36
S35710101	N1 - 25	54	S36422001	F5 - 25	34	S36924001	N1 - 52	54	S39542000	F6 - 97	36
	N2 - 25	56	S36423001	J - 44	44		N2 - 52	56	S39543001	F6 - 103	36
S35711001	N1 - 19	54	S36425001	J - 17	44		AB1 - 8	100		F6 - 105	36
	N2 - 19	56	S36426001	J - 21	44		AB2 - 8	100	S39544001	F6 - 104	36
S36043000	F1 - 507	20	S36427001	J - 23	44		Wa	107	S39545001	F6 - 118	36
	F1 - 507	22	S36428001	J - 24	44	S36925001	A - 20	2	S39546001	F6 - 119	36
	F1 - 542	22	S36429001	J - 25	44	S37058001	S - 2	64	S39547001	F6 - 120	36
	F2 - 45	24	S36430001	J - 26	44		Wa	107	S39548001	F6 - 123	36
	F2 - 64	24	S36431001	J - 4	44	S37059001	T1 - 50	66	S39549001	F6 - 126	36
	F2 - 64	26	S36432001	J - 1	44		T2 - 50	70	S39550001	F6 - 129	36
	F2 - 218	26	S36434001	D1 - 51	8	S37060001	Q2 - 45	62	S39551001	F6 - 111	36
	F2 - 189	28	S36435001	R - 7	64		T1 - 51	66	S39552001	F6 - 112	36
	F2 - 218	28	S36436101	R - 4	64		T2 - 51	70	S39553001	F6 - 110	36
	F2 - 228	28	S36438009	S - 4	64		X - 16	82	S39561001	F6 - 124	36
	F7 - 438	38	S36439000	S - 8	64		Wa	107	S39804001	F6 - 128	36
	F7 - 460	38	S36441001	X - 36	82	S37277000	B - 31	4	S39807000	F6 - 83	36
	F7 - 471	38	S36442009	X - 30	82	S37295401	Q1 - 20	60	S39847001	AA - 26	98
	F7 - 482	38	S36443001	X - 41	82		Q2 - 21	62	S39901001	AA - 7	98
S36135101	M - 39	50	S36444001	X - 39	82	S37297101	Q1 - 24	60	S39902001	AA - 3	98
S36153100	D1 - 6	8	S36445109	X - 34	82		Q2 - 25	62	S39908000	AA - 27	98
	D2 - 6	12	S36446009	X - 37	82	S38352101	T1 - 53	66	S40063001	F2 - 156	26
S36202000	T1 - 57	66	S36447009	X - 51	82		T2 - 53	70	S40224001	Y3 - 283	96
	T2 - 57	70	S36448009	X - 53	82		Wa	107	S40227001	Y3 - 294	96
S36211100	T1 - 32	66	S36449009	X - 57	82	S38353101	T1 - 52	66	S40228000	Y3 - 305	96
	T2 - 32	70	S36450009	X - 59	82		T2 - 52	70	S40231001	Y3 - 302	96
S36213200	T1 - 33	66	S36451109	X - 55	82		Wa	107	S40232001	Y3 - 317	96
	T2 - 33	70	S36452309	X - 1	82	S38357001	A - 19	2	S40233001	Y3 - 284	96
S36216100	T1 - 36	66	S36454001	X - 46	82		Wa	107	S40234000	Y3 - 285	96
	T2 - 36	70	S36455109	X - 49	82	S38571001	A - 19	2	S40235001	Y3 - 286	96
S36218200	T1 - 40	66	S36456000	X - 68	84		Wa	107	S40236000	Y3 - 287	96
	T2 - 40	70	S36457000	U2 - 96	76	S38735001	L - 38	48	S40239001	Y3 - 291	96
S36220001	N1 - 30	54	S36466201	X - 8	82	S39101301	F2 - 59	26	S40240000	Y3 - 296	96
	N2 - 30	56	S36470000	X - 3	82	S39103101	F2 - 60	26	S40241000	Y3 - 297	96
	R - 8	64	S36475000	F6 - 90	36	S39104001	F2 - 65	24	S40242001	Y3 - 299	96
	U1 - 40	74		F6 - 117	36		F2 - 65	26	S40243000	Y3 - 300	96
	U1 - 41	74	S36477001	L - 37	48	S39105301	F2 - 59	26	S40244000	Y3 - 301	96
	U1 - 42	74	S36478001	X - 45	82	S39107101	F2 - 60	26	S40245001	Y3 - 308	96
S36230201	V - 1	80	S36479000	L - 48	48	S39414009	S - 1	64	S40246001	Y3 - 313	96
S36230202	V - 2	80	S36480000	L - 49	48	S39415301	D1 - 18	8	S40247001	Y3 - 289	96
S36264001	D1 - 17	8	S36481000	L - 33	48	S39459001	Y2 - 180	92	S40702009	Q1 - 2	60
	D2 - 17	12	S36482000	L - 21	48	S39460100	Y2 - 190	92	S40707000	Q1 - 10	60
S36298001	Ga	105	S36483001	F2 - 8	24	S39462001	Y3 - 314	96		Q2 - 11	62
S36299001	Q1 - 31	60	S36484000	F2 - 17	24	S39469101	Y1 - 61	88	S40708001	Q1 - 11	60
	Q2 - 32	62	S36485001	F2 - 9	24	S39471101	Y1 - 62	88		Q2 - 12	62
S36300000	Q1 - 25	60	S36486001	F2 - 10	24	S39474100	Y1 - 64	88	S40709001	Q1 - 9	60
	Q2 - 26	62	S36488001	F2 - 13	24	S39475100	Y1 - 67	88	S40712001	Q1 - 16	60
S36391001	F1 - 253	20	S36489001	F2 - 14	24	S39488001	H - 17	42	S40713001	Q1 - 18	60
S36393001	AB1 - 1	100	S36491001	J - 30	44	S39497101	Y1 - 18	86	S40714101	Q1 - 21	60

CODE	REF.NO	Page	CODE	REF.NO	Page	CODE	REF.NO	Page	CODE	REF.NO	Page
S40714101	Q2 -22	62	S44248001	Y1 -7	86	S44644000	Y1 -50	86	S45507001	D2 -12	12
S40715000	Q1 -33	60		Y2 -120	90		Y2 -163	90	S45508109	D2 -18	12
S40716001	Q1 -35	60		Y3 -231	94		Y3 -274	94	S45512009	D2 -23	12
	Q2 -36	62		Y3 -335	96	S44645001	Y2 -188	92	S45515001	D2 -31	12
S40717101	Q1 -38	60	S44249001	Y1 -10	86	S44655001	Y1 -17	86	S45516001	D2 -33	12
S40718001	Q1 -44	60		Y2 -123	90		Y2 -130	90	S45517001	D2 -35	12
S40719101	D1 -19	8		Y3 -234	94		Y3 -241	94	S45518001	D2 -37	12
S40720001	E1 -29	16		Y3 -337	96	S44700201	F2 -59	24	S45519001	D2 -45	12
S40721000	E1 -33	16	S44251000	Y1 -3	86	S44702001	F2 -60	24	S45520001	D2 -51	12
S40728100	E1 -32	16		Y2 -116	90	S44703201	F2 -59	24	S45522101	D2 -57	12
	E2 -32	18		Y3 -227	94	S44705001	F2 -60	24	S45523101	D2 -61	12
S40740001	Q1 -37	60	S44253000	Y1 -6	86	S44713001	F2 -185	28	S45527001	E2 -18	18
S40899000	L -31	48		Y2 -119	90		F7 -456	38	S45528001	E2 -2	18
S41030001	Q1 -14	60		Y3 -230	94	S44714001	F2 -184	28	S45530001	E2 -23	18
S41195201	T1 -19	66	S44254001	Y2 -174	92		F7 -455	38	S45531001	E2 -25	18
	T2 -19	70	S44255001	Y2 -182	92	S44715001	F2 -183	28	S45532101	D2 -56	12
S41223000	Y1 -23	86	S44256001	Y2 -176	92	S44716001	F7 -454	38	S45533001	E2 -27	18
	Y2 -136	90	S44257000	Y2 -175	92	S44718001	F7 -467	38	S45539000	E2 -33	18
	Y3 -247	94	S44258001	Y2 -186	92	S44719001	F7 -466	38	S45540001	N2 -40	56
S42331001	F7 -433	38	S44261001	Y1 -53	86	S44721001	F7 -465	38	S45541001	N2 -41	56
S42332001	F7 -434	38		Y2 -166	90	S44723001	F2 -224	28	S45542001	N2 -42	56
S42456051	M -42	50		Y3 -277	94		F7 -478	38	S45543000	N2 -43	56
S42461251	M -44	50	S44262001	Y1 -31	86	S44724101	F2 -223	28		N2 -46	56
S42583000	Y1 -24	86		Y1 -54	86		F7 -477	38	S45544001	N2 -44	56
	Y2 -137	90		Y2 -144	90	S44726001	F7 -476	38	S45545001	N2 -45	56
	Y3 -248	94		Y2 -167	90	S44733001	F7 -462	38	S45546001	N2 -50	56
S42643050	Q1 -41	60		Y3 -255	94	S44734001	F7 -461	38	S45547001	N2 -51	56
S42946000	T1 -15	66		Y3 -278	94	S44841001	Y1 -82	88	S45563001	Q2 -5	62
	T1 -61	66	S44341000	T1 -59	66		Y2 -195	92	S45567001	Q2 -9	62
	T2 -15	70		T2 -59	70	S44846001	Y1 -93	88	S45568001	Q2 -10	62
	T2 -61	70	S44344001	Y1 -8	86		Y2 -204	92	S45570001	Q2 -18	62
S42947000	T1 -62	66		Y1 -41	86	S44847001	Y1 -84	88	S45571000	Q2 -34	62
	T2 -62	70		Y2 -121	90		Y2 -197	92	S45572001	Q2 -38	62
S43018000	T1 -38	66		Y2 -154	90	S44848001	Y1 -85	88	S45574001	Q2 -44	62
	T2 -38	70		Y3 -232	94		Y2 -198	92	S45584301	D2 -19	12
S43114001	U1 -26	74		Y3 -265	94	S44849001	Y1 -86	88	S45587001	E2 -4	18
S43270000	U1 -11	74	S44345001	Y1 -105	88		Y2 -199	92	S45588009	P2 -2	58
	U2 -84	76		Y2 -216	92	S44851001	Y1 -83	88	S45589001	P2 -13	58
S43471001	F7 -439	38		Y3 -324	96		Y2 -196	92	S45590001	P2 -9	58
	F7 -472	38	S44351101	Y1 -2	86	S44852000	Y1 -87	88	S46284000	Q2 -46	62
S43472001	F7 -440	38		Y2 -115	90		Y2 -200	92	S46286009	Q2 -2	62
	F7 -473	38		Y3 -226	94	S44853001	Y1 -95	88	S46290001	P2 -11	58
S43473001	F7 -432	38	S44352001	Y1 -59	88		Y2 -206	92	S46291001	P2 -12	58
S43486000	Y1 -29	86	S44354001	Y2 -172	92	S44854001	Y1 -89	88	S46294101	D2 -25	12
	Y2 -142	90	S44356101	Y2 -194	92	S44858101	Y2 -202	92	S46362009	U1 -27	74
	Y3 -253	94	S44358000	Y3 -334	96	S44859001	Y1 -91	88	S46363000	U1 -22	74
S43487101	Y1 -30	86	S44359001	Y3 -333	96	S44860001	Y1 -99	88		U1 -31	74
	Y2 -143	90	S44514101	G -6	40		Y2 -210	92	S46364001	U1 -17	74
	Y3 -254	94	S44515001	G -39	40	S44861001	Y1 -81	88	S46404001	D1 -43	8
S43489001	Y1 -34	86	S44518100	M -48	50	S44924001	M -40	50		D2 -43	12
	Y2 -147	90	S44519001	M -52	50		M -43	50	S46430001	Z -13	102
	Y3 -258	94	S44636000	Y1 -52	86	S44925001	N1 -50	54	S46533000	U3 -126	78
S43490001	Y1 -33	86		Y2 -165	90	S44926001	N1 -51	54	S46551000	U2 -103	76
	Y2 -146	90		Y3 -276	94	S45174000	U1 -10	74	S46758001	Z -28	102
	Y3 -257	94	S44638000	Y1 -12	86	S45175000	U1 -7	74	S46833001	U1 -18	74
S43491001	Y1 -36	86		Y2 -125	90	S45176001	U1 -16	74	S46947001	E2 -35	18
	Y2 -149	90		Y3 -236	94	S45177000	U1 -15	74	S46948001	E2 -29	18
	Y3 -260	94	S44640000	Y1 -27	86	S45179109	U1 -12	74	S46959001	D2 -2	12
S43505001	N1 -57	54		Y2 -140	90	S45186001	U1 -5	74	S46960501	D2 -1	12
	N2 -57	56		Y3 -251	94	S45501001	Q2 -15	62	S46961001	D1 -74	10
S44246000	Y1 -48	86	S44643000	Y1 -49	86	S45501002	Q2 -16	62		D2 -74	14
	Y2 -161	90		Y2 -162	90	S45506000	D2 -11	12	S46962001	D1 -75	10
	Y3 -272	94		Y3 -273	94		D2 -15	12		D2 -75	14

## 索引 / INDEX

CODE	REF.NO	Page	CODE	REF.NO	Page	CODE	REF.NO	Page	CODE	REF.NO	Page
S46968001	Q2 - 20	62	S49397000	T1 - 47	66	S52032000	T2 - 31	70	S55277001	Y1 - 103	88
S46972001	P1 - 5	58		T2 - 47	70	S52033002	U2 - 90	76		Y2 - 214	92
	P2 - 5	58	S49414009	U2 - 87	76	S52034209	Q2 - 1	62		Y3 - 322	96
	AA - 52	98		U3 - 116	78	S52042001	C - 1	6	S55279000	AA - 55	98
S46999001	F1 - 1	20	S49450001	P2 - 1	58	S52069001	N1 - 6	54		Z - 31	102
	F1 - 490	20	S49451001	P1 - 1	58		N2 - 6	56	S55280000	Z - 33	102
S47051101	N1 - 12	54	S49770201	T1 - 9	66	S52163000	U2 - 91	76	S55577000	Z - 30	102
	N2 - 12	56		T2 - 9	70	S52164000	U2 - 93	76	S55578000	Z - 32	102
S47052101	N1 - 13	54	S50013001	Q1 - 22	60	S52166000	T1 - 22	66	S55579000	Z - 30	102
	N2 - 13	56		Q2 - 23	62		T2 - 22	70	S55595001	T1 - 63	66
S47059000	W - 465	80	S50019001	G - 9	40		U2 - 92	76		T2 - 63	70
S47229100	M - 47	50	S50020001	B - 7	4	S52221001	T1 - 18	66	S55636000	T1 - 30	66
S47341200	U2 - 98	76	S50021001	B - 8	4		T2 - 18	70		T2 - 30	70
S47342000	U2 - 99	76	S50022000	B - 9	4	S52229000	T1 - 23	66	S55985000	T1 - 4	66
S47343200	U2 - 100	76	S50023000	A - 7	2		T2 - 23	70		T2 - 4	70
S47900000	T1 - 66	66	S50024001	G - 3	40	S52437000	T2 - 66	70	S55987000	T1 - 68	66
S48381000	X - 11	82	S50674101	M - 38	50	S52582001	A - 22	2	S55988000	T2 - 68	70
S48397001	AB2 - 7	100	S50689000	Z - 57	104		U3 - 142	78	S55989201	U3 - 140	78
S48398000	Q1 - 30	60	S51141000	T1 - 24	66	S52765000	U3 - 121	78	S58151109	U1 - 13	74
	Q2 - 31	62		T2 - 24	70	S52766000	U3 - 122	78	S58152001	U1 - 33	74
S48399001	D2 - 21	12	S51142000	T1 - 25	66	S52767000	U3 - 123	78	S58153101	U1 - 14	74
S49342001	F1 - 487	20		T2 - 25	70	S52768000	U3 - 124	78	S58170009	Q1 - 1	60
S49343001	F1 - 488	20	S51143000	T1 - 26	66	S52769000	U3 - 125	78	S59001101	U1 - 2	74
S49345001	F1 - 489	20		T2 - 26	70	S52781000	Q1 - 42	60	S59270001	U1 - 37	74
S49346001	F1 - 493	20	S51144000	T1 - 27	66	S52829001	Y1 - 1	86	S59636000	W - 614	80
S49347001	F1 - 494	20		T2 - 27	70	S52830001	Y2 - 114	90	S59652000	U1 - 6	74
S49348001	F1 - 496	20	S51145000	T1 - 28	66	S52831101	Y3 - 225	94	S59991001	Y3 - 326	96
S49349101	F1 - 501	20		T2 - 28	70	S53088001	Y1 - 60	88	SA0171000	M - 49	50
S49351101	F1 - 502	20	S51146000	T1 - 29	66	S53090001	Y2 - 173	92	SA1646001	K - 25	46
S49352101	F1 - 503	20		T2 - 29	70	S53127101	U3 - 150	78	SA1649009	Z - 50	104
S49353001	F1 - 496	20	S51148000	U1 - 8	74	S53204001	X - 25	82	SA1649010	Z - 51	104
S49354101	F1 - 501	20	S51150000	T1 - 16	66	S53900001	X - 13	82	SA1649011	Z - 17	102
S49356101	F1 - 502	20		T2 - 16	70	S54783001	U1 - 29	74	SA1649012	Z - 52	104
S49357101	F1 - 503	20	S51151000	Q2 - 47	62	S55001001	U3 - 161	78	SA1649013	Z - 53	104
S49358001	F1 - 496	22	S51152000	T1 - 34	66	S55002000	U1 - 4	74	SA1649014	Z - 54	104
S49359101	F1 - 501	22		T2 - 34	70		U3 - 162	78	SA1649016	Z - 55	104
S49361101	F1 - 502	22	S51155000	T1 - 35	66	S55003000	U3 - 153	78	SA1649018	Z - 56	104
S49362101	F1 - 503	22		T2 - 35	70		U3 - 163	78	SA2999001	W - 612	80
S49363001	F1 - 496	22	S51156000	U2 - 105	76	S55004000	U1 - 32	74	SA3672001	T1 - 45	66
S49364101	F1 - 501	22	S51157000	T1 - 37	66	S55030001	F2 - 229	28		T2 - 45	70
S49366101	F1 - 502	22		T2 - 37	70	S55031001	F2 - 222	28	SA4504001	U3 - 110	78
S49367101	F1 - 503	22	S51158000	T1 - 39	66	S55035001	F3 - 379	32	U08671003	F2 - 12	24
S49368001	F1 - 496	22		T2 - 39	70	S55036001	F3 - 381	32		F2 - 16	24
S49369101	F1 - 501	22	S51160000	U2 - 102	76	S55037001	F3 - 382	32		M - 53	50
S49371101	F1 - 502	22	S51243001	Ga	105	S55092000	X - 2	82		Y1 - 22	86
	F2 - 214	26	S51245001	M - 76	52	S55095001	T1 - 1	66		Y1 - 26	86
S49372101	F1 - 503	22		Ga	105	S55095002	T2 - 1	70		Y1 - 100	88
S49373101	F1 - 536	22	S51247001	Y1 - 108	88	S55096001	T1 - 2	66		Y2 - 135	90
S49375101	F1 - 537	22		Y2 - 219	92		T2 - 2	70		Y2 - 139	90
	F2 - 214	28		Ga	105	S55097301	U1 - 1	74		Y2 - 189	92
S49376101	F1 - 538	22	S51256001	AB2 - 1	100		U3 - 141	78		Y2 - 211	92
S49377201	F2 - 212	26	S51440001	Q2 - 8	62	S55099001	AB1 - 2	100		Y3 - 246	94
S49378201	F2 - 213	26	S51497001	Q2 - 3	62		AB2 - 2	100		Y3 - 250	94
S49379001	F2 - 219	26	S51498001	Q2 - 4	62	S55100001	AB1 - 3	100	U34148001	T1 - 139	68
	F2 - 219	28	S51499000	Q2 - 6	62		AB2 - 3	100	UA0130001	R - 5	64
S49380201	F2 - 212	28		Q2 - 7	62	S55233001	F3 - 386	32	UL0233001	T1 - 17	66
S49381201	F2 - 213	28	S51916001	U3 - 120	78	S55240001	F3 - 380	32		T1 - 64	66
S49390009	T1 - 3	66	S51916002	U3 - 130	78	S55248001	X - 4	82		T2 - 17	70
	T2 - 3	70	S52026001	U2 - 83	76	S55276001	Y1 - 104	88		T2 - 64	70
S49391009	T1 - 56	66	S52027001	U3 - 111	78		Y2 - 215	92	XA9639001	U1 - 3	74
	T2 - 56	70	S52031000	T1 - 21	66		Y3 - 323	96	XA9640001	U1 - 9	74
S49392209	X - 47	82		T2 - 21	70	S55277001	F6 - 91	36	Z25701001	E1 - 10	16
S49396001	Q2 - 40	62	S52032000	T1 - 31	66		X - 31	82		E2 - 10	18

brother®



パーツブック  
PARTS BOOK

**ブラザー工業株式会社** <http://www.brother.co.jp/>

〒467-8561 名古屋市瑞穂区苗代町 15 番 1 号 TEL (052) 824-2392

**BROTHER INDUSTRIES, LTD.** <http://www.brother.com/>

15-1, Naeshiro-cho, Mizuho-ku, Nagoya 467-8561, Japan. Phone : 81-52-824-2177

BE-0901E, 1201B-AC  
SA3676-001  
2004.12. ZB(1)